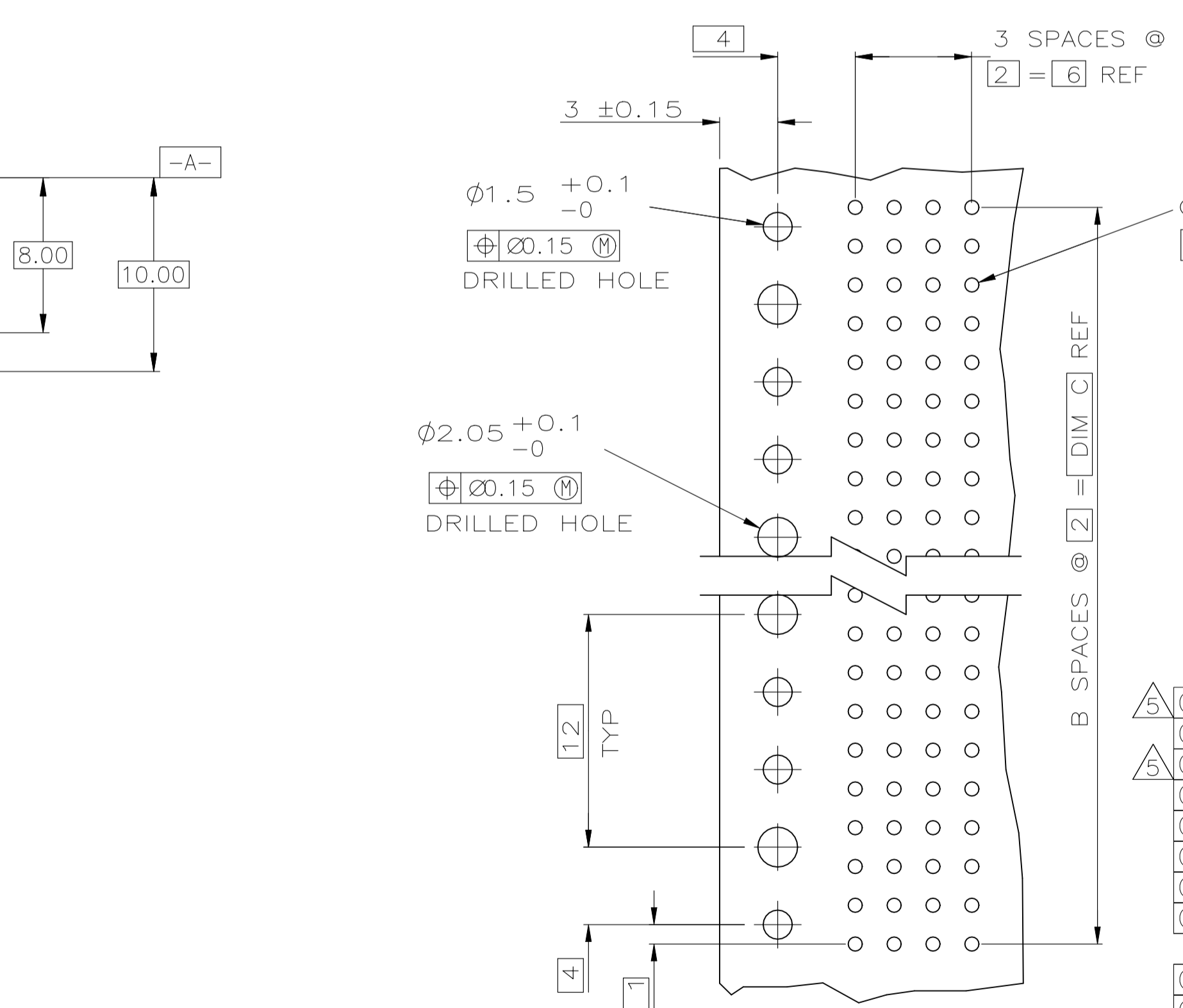
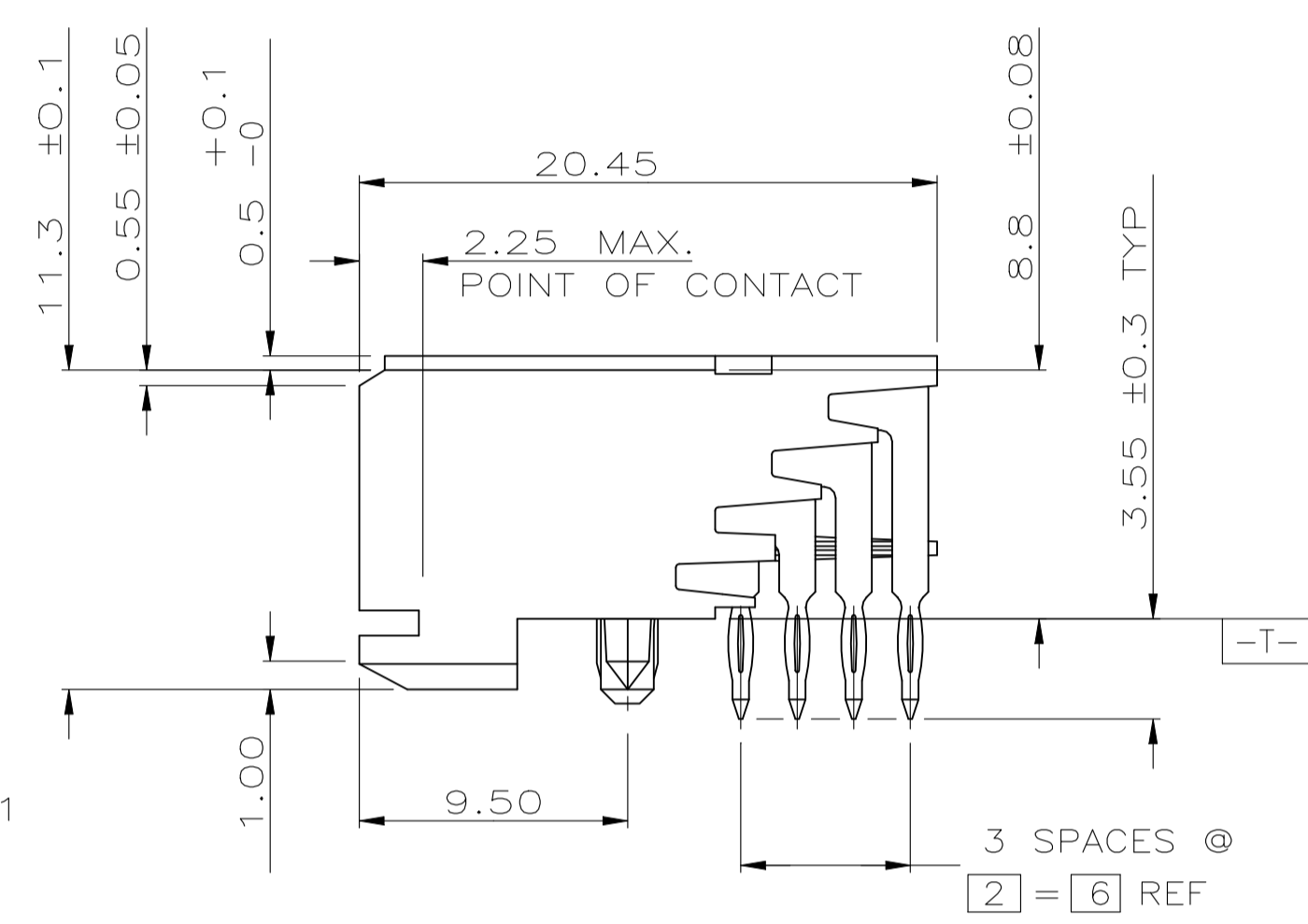
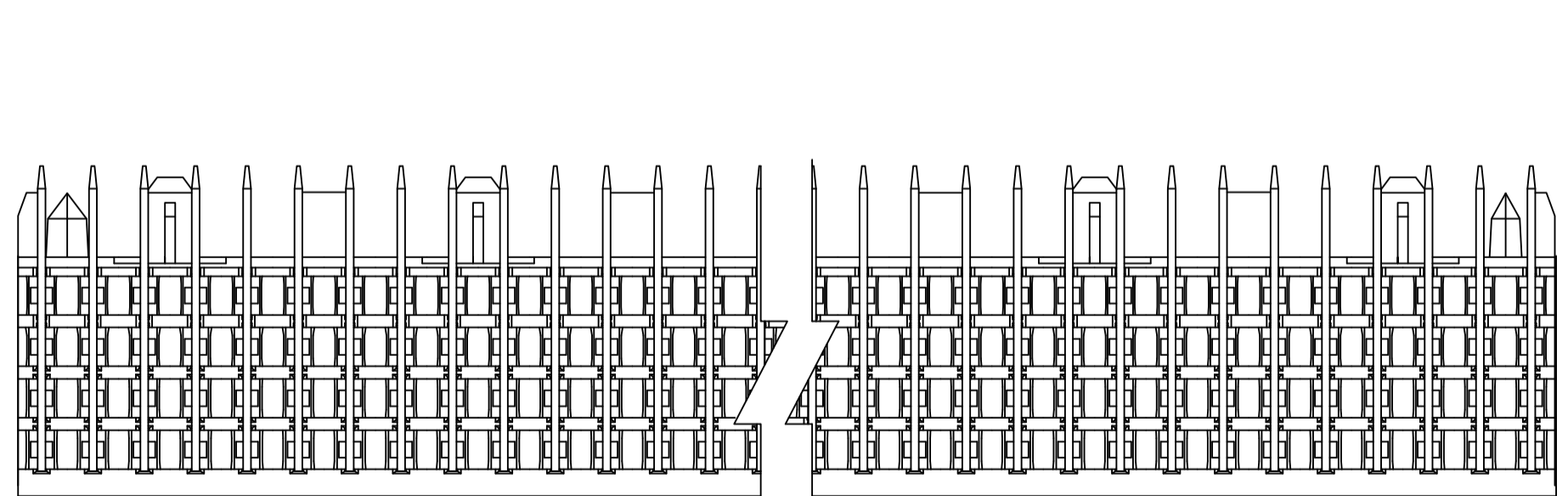
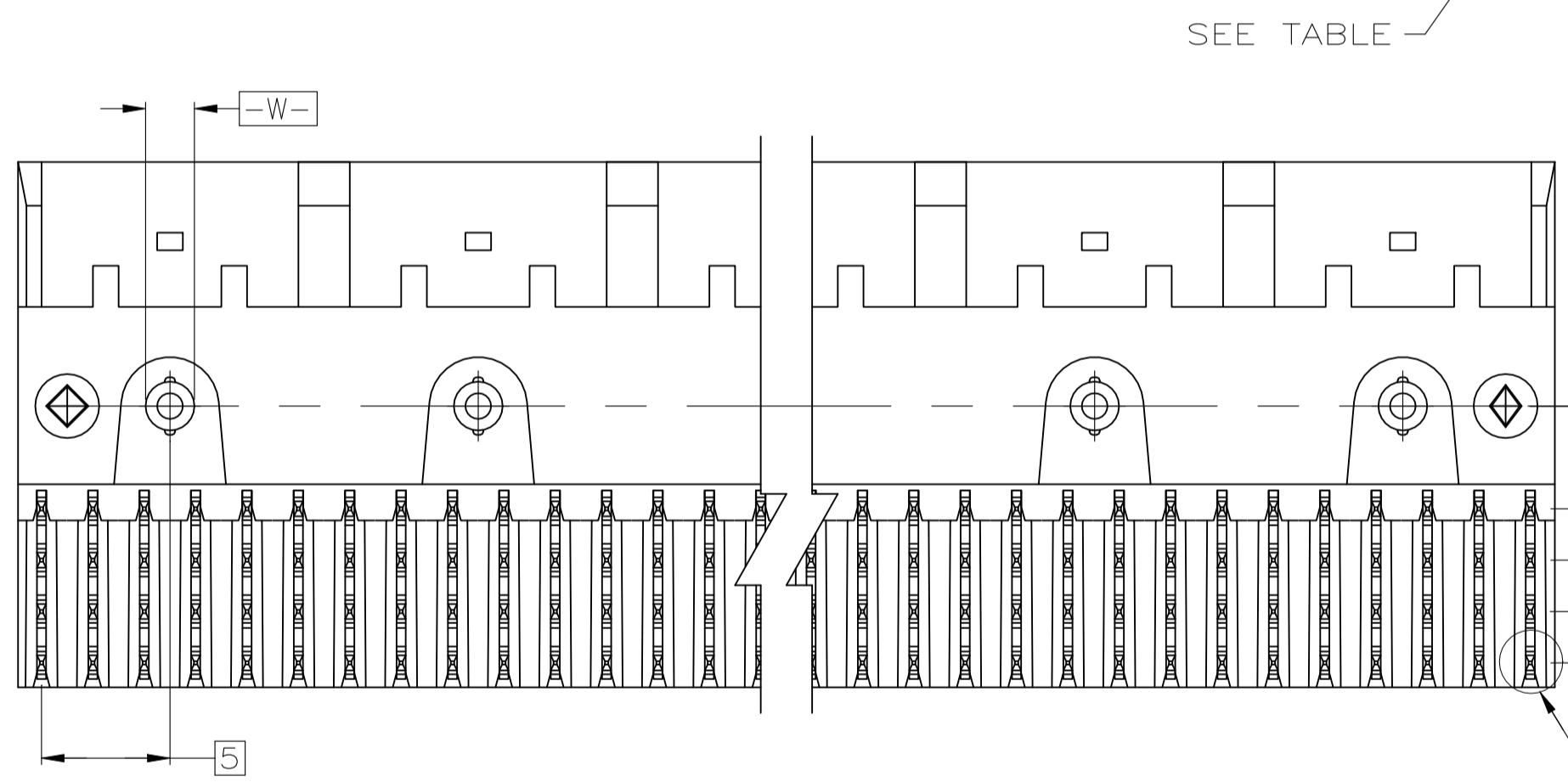
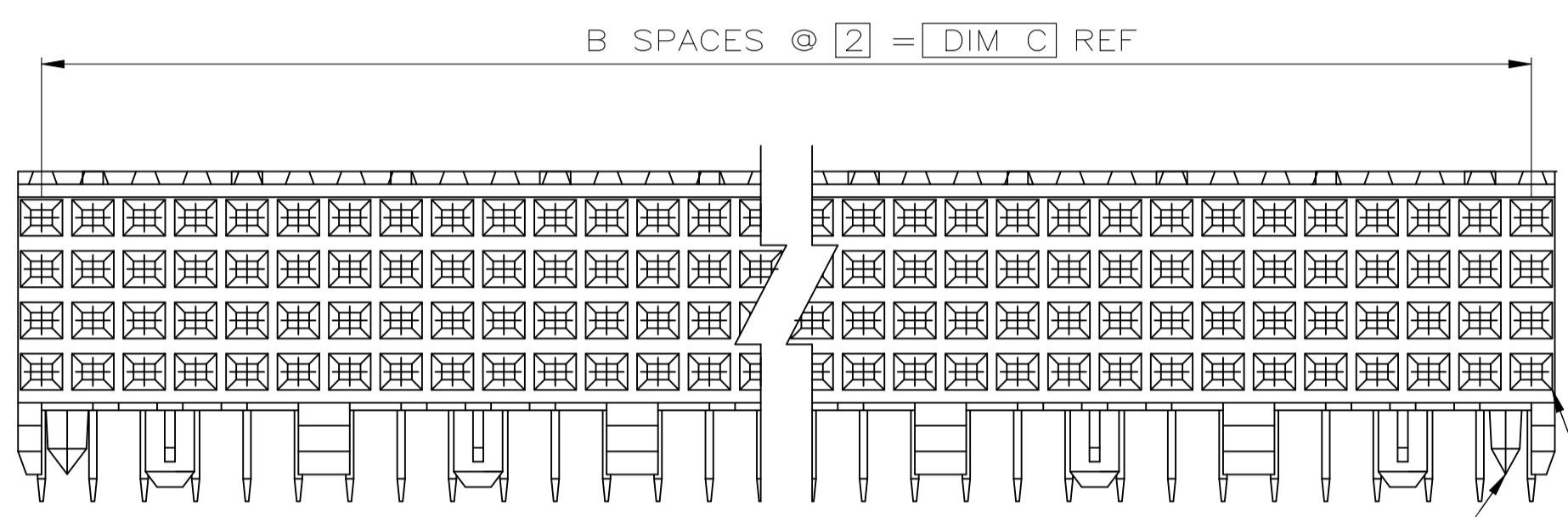
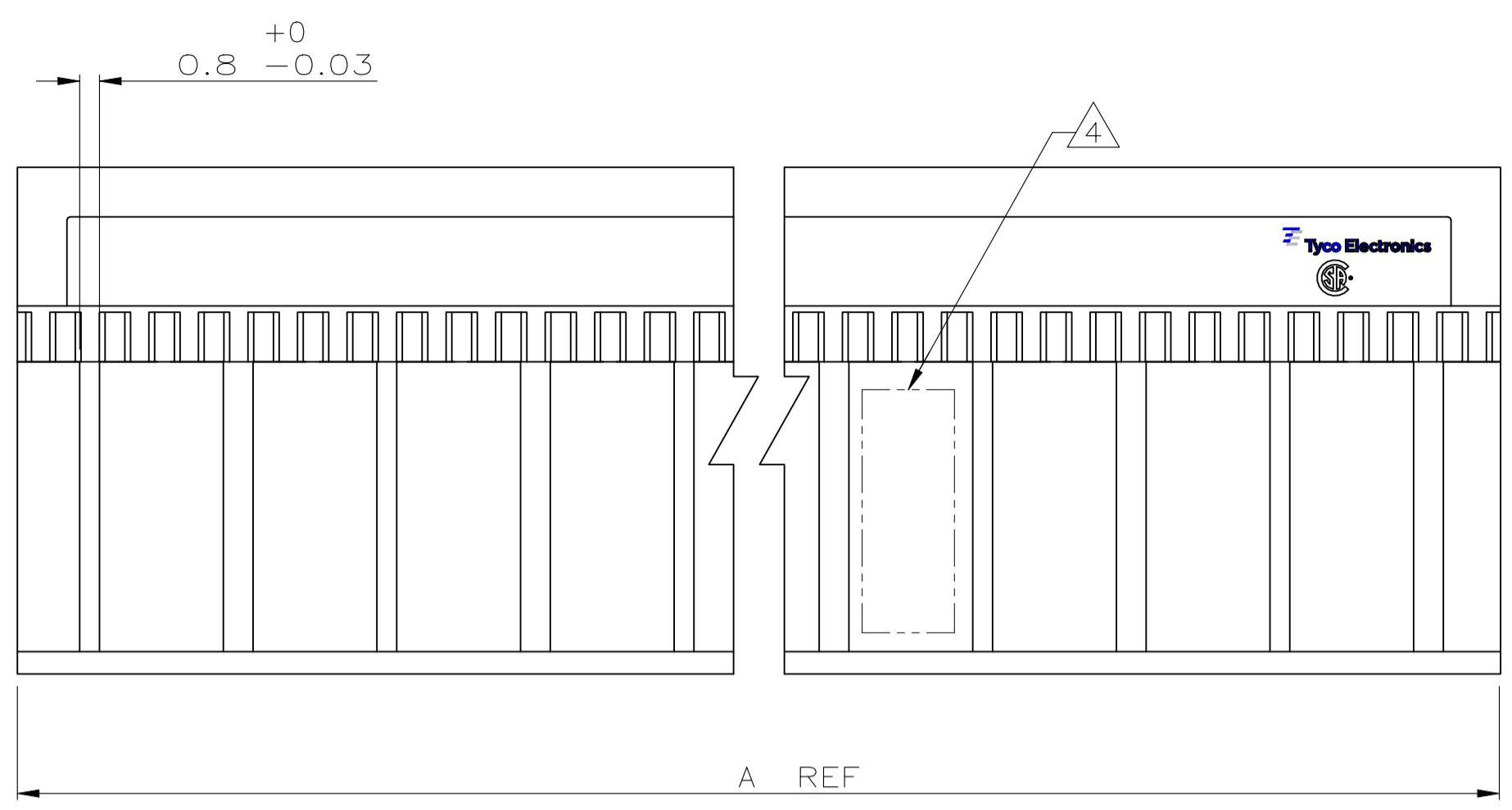
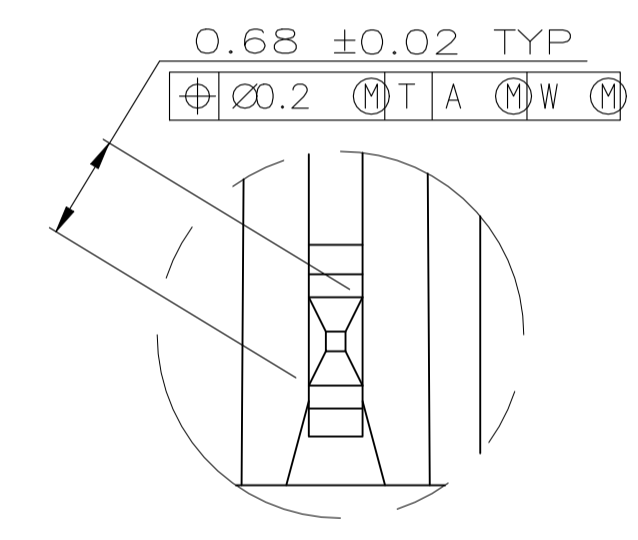


REVISIONS					
REV	DATE	DESCRIPTION	BY	CHK	APPV
AA	28SEP2020	REVISED PER ECO-20-013368	RZ	HL	



- 1 HOUSING MATERIAL: LIQUID CRYSTAL POLYMER PER ASTM D5138 LCP000 G30A 32250, COLOR: NATURAL.
- 2 CONTACT MATERIAL: PHOSPHOR-BRONZE.
- 3 CONTACT FINISH:
UNDERPLATE (ENTIRE CONTACT) - 0.00127 MIN. NICKEL
ON MATING SURFACES- CONFORMS TO ALL TESTING SPECIFIED FOR TELCORDIA UNCONTROLLED ENVIRONMENT
ON LEADS- 0.0006 MIN. TIN-LEAD, OVER UNDERPLATE
LUBRICATION (ENTIRE CONTACT) SURFACE CONDITIONER PER TE CONNECTIVITY SPEC 112-1002 AFTER PLATING.
- 4 PART MARKING PER AMP INCORPORATED SPECIFICATION 115-9009, LOCATED APPROXIMATELY AS SHOWN.
- 5 OBSOLETE PARTS: OBSOLETE CIS STREAMLINING PER D.RENAUD/D.SINISI



DETAIL Z
SCALE 20:1

RECOMMENDED CIRCUIT PATTERN
PER IPC-D300 TYPE II, CLASS C
(COMPONENT SIDE)

	NO	34	17	35.88	3	72	1-536511-2
5	OBSOLETE	NO	130	65	131.88	3	264
	OBSOLETE	NO	106	53	107.88	3	216
5	OBSOLETE	NO	118	59	119.88	3	240
	OBSOLETE	NO	82	41	83.88	3	168
	OBSOLETE	NO	66	33	67.88	3	136
	OBSOLETE	NO	58	29	59.88	3	120
	OBSOLETE	NO	70	35	71.88	3	144
	OBSOLETE	NO	94	47	95.88	3	192
	OBSOLETE	NO	46	23	47.88	3	96
	OBSOLETE	NO	22	11	23.88	3	48
	OBSOLETE	YES	10	5	11.88	3	24

POSITIONING PEGS	C	B	A	FINISH	NO OF POSN	PART NUMBER

THIS DRAWING IS A CONTROLLED DOCUMENT.		DIN	10/15/92
DIMENSIONS: mm		D.R.BENDER	03/29/93
TOLERANCES UNLESS OTHERWISE SPECIFIED:		CHK	S.HEADER
0 PLC	± -	APVD	D. BAECHTLE 03/29/93
1 PLC	± -	NAME	RCPT. ASS'Y., SIGNAL MODULE, Z-PACK 2mm FB
2 PLC	± .13	PRODUCT SPEC	4 ROW, 3.55mm PRESS FIT LEAD LENGTH
3 PLC	± -	APPLICATION SPEC	
4 PLC	± -	SIZE	CAGE CODE DRAWING NO
ANGLES	± -	WEIGHT	0.000000
		RESTRICTED TO	
MATERIAL	FINISH	SCALE	4:1
		SHEET	1 of 1
		REV	AA

X-ON Electronics

Largest Supplier of Electrical and Electronic Components

Click to view similar products for [High Speed/Modular Connectors](#) category:

Click to view products by [TE Connectivity](#) manufacturer:

Other Similar products are found below :

[2332816-1](#) [89006-1137LF](#) [650827-1](#) [65762-001LF](#) [73474-201LF](#) [74040-1346](#) [74075-0267](#) [1410191-1](#) [1410337-1](#) [1410368-3](#) [1410964-2](#)
[1410367-3](#) [1410971-4](#) [1467833-1](#) [2000877-1](#) [2000878-1](#) [2041314-1](#) [2065387-1](#) [2187307-1](#) [2187462-1](#) [91290-101LF](#) [163P](#) [1934290-1](#)
[2000875-1](#) [2065917-1](#) [2102736-2](#) [FSR-40](#) [2169868-2](#) [22354-8](#) [437-5040-000](#) [5-1393565-0](#) [532449-3](#) [532803-2](#) [34745-0001](#) [1-1393708-5](#)
[73774-1000](#) [532939-1](#) [5-531355-3](#) [85838-180LF](#) [HM1S43TRR460H6PLF](#) [0760205010](#) [0782341022](#) [1-966831-4](#) [3-1469268-7](#) [77427-121LF](#)
[74748-102LF](#) [10009542-001LF](#) [73983-A001LF](#) [10041743-101LF](#) [10066670-100002LF](#)