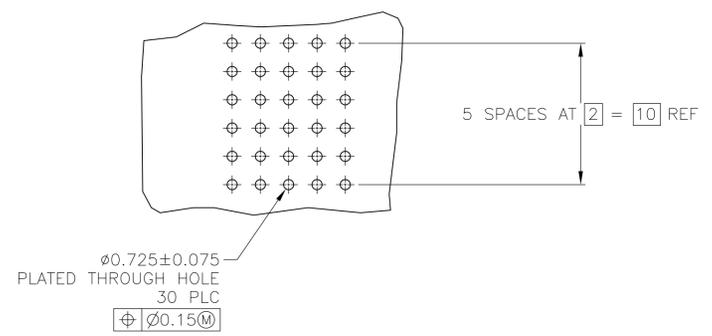
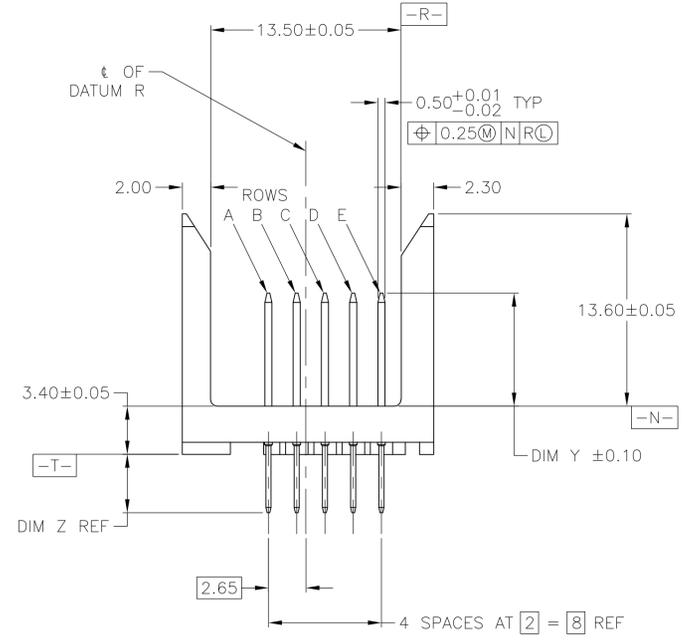
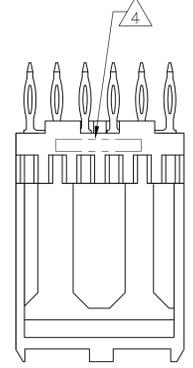
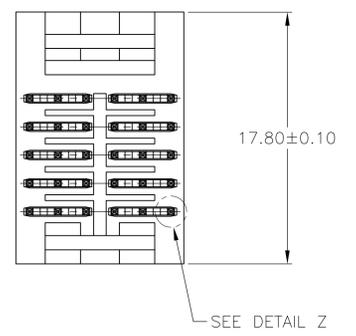
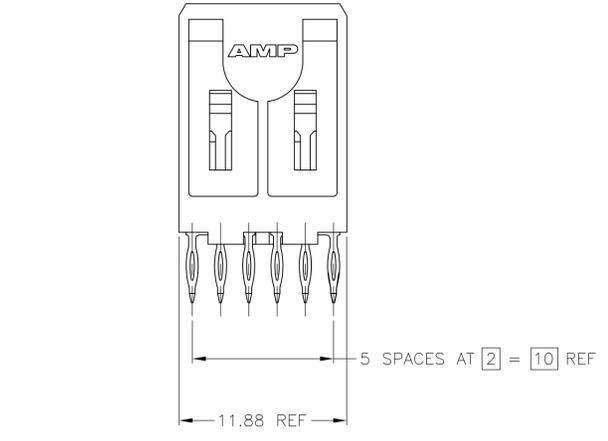
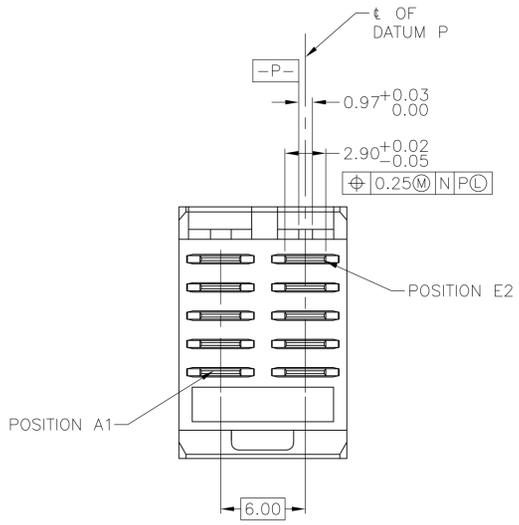
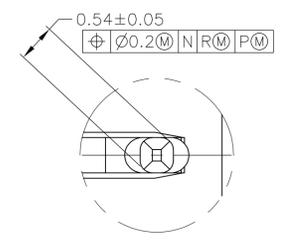


LOC		DIST		REVISIONS			
P	LTR	DESCRIPTION	DATE	DMN	APVD		
R4	REV PER ECO-13-007388		17DEC2013	BC	AS		



RECOMMENDED CIRCUIT PATTERN
PER IPC-D300 TYPE II, CLASS C
(COMPONENT SIDE)

- 1 HOUSING MATERIAL: LIQUID CRYSTAL POLYMER, NATURAL.
- 2 CONTACT MATERIAL: COPPER ALLOY.
- 3 CONTACT FINISH:
UNDERPLATE (ENTIRE CONTACT):
0.00127 MIN NICKEL PER SAE-AMS-QQ-N-290
ON MATING SURFACES:
FLASH GOLD PER ASTM B 488, OVER
0.00076 MIN PALLADIUM-NICKEL OVER UNDERPLATE, OR
0.00076 MIN GOLD PER ASTM B 488 OVER UNDERPLATE.
ON LEADS:
0.00127 MIN TIN-LEAD OVER UNDERPLATE.
LUBRICATION (MIN MATING SURFACES):
SURFACE CONDITIONER AFTER PLATING.
- 4 PART NUMBER AND DATE CODE IN APPROXIMATE AREA AS SHOWN.
- 5 OBSOLETE PARTS: OBSOLETE CIS STREAMLINING PER D.RENAUD/D.SINISI



DETAIL Z
SCALE 20:1

THIS DRAWING IS A CONTROLLED DOCUMENT.		DIN T. SHUEY 1-7-98	TE Connectivity	
DIMENSIONS: mm		CHK W. MILLHIMES 1-16-98		
TOLERANCES UNLESS OTHERWISE SPECIFIED:		APVD W. MILLHIMES 1-16-98	NAME	
0 PLC ± -	1 PLC ± -	PRODUCT SPEC	ASSEMBLY, PIN, VERTICAL, 5 ROW, POWER MODULE, PRESS FIT LEAD, Z-PACK 2mm FB	
2 PLC ± -	3 PLC ± -	APPLICATION SPEC	SIZE	CAGE CODE
4 PLC ± -	ANGLES ± -	FINISH	A1	00779
MATERIAL		FINISH	SCALE	SHEET
1 2		3	4:1	1 OF 2
CUSTOMER DRAWING		DRAWING NO	536642	REV
		RESTRICTED TO		R4

THIS DRAWING IS UNPUBLISHED. RELEASED FOR PUBLICATION
 © COPYRIGHT - By - ALL RIGHTS RESERVED.

LOC		DIST		REVISIONS			
P	LTR	DESCRIPTION	DATE	DN	APVD		
-	-	SEE SHEET 1	-	-	-	-	-

AD	5.00	4.25
AC	8.00	4.25
AB	7.25	4.25
AA	6.50	4.25
CONTACT LETTER	DIM Z	DIM Z

E	AA	AA	E	536642-1 OBSOLETE 5
D	AA	AA	D	
C	AA	AA	C	
B	AA	AA	B	
A	AA	AA	A	
ROW	1	2	ROW	PART NUMBER

CONTACT LOAD CHART

E	AA	AA	E	536642-5 OBSOLETE 5
D	AA	AA	D	
C	AA	AA	C	
B	AC	AC	B	
A	AA	AA	A	
ROW	1	2	ROW	PART NUMBER

CONTACT LOAD CHART

E	AB	AB	E	1-536642-6 OBSOLETE 5
D	AB	AB	D	
C	AB	AB	C	
B	AC	AC	B	
A	AC	AC	A	
ROW	1	2	ROW	PART NUMBER

CONTACT LOAD CHART

SUPERSEDED BY 536642-4				536642-2
E	AA	AA	E	
D	AA	AA	D	
C	AB	AB	C	
B	AC	AC	B	
A	AC	AC	A	
ROW	1	2	ROW	PART NUMBER

CONTACT LOAD CHART

E	AA	AC	E	536642-6 OBSOLETE 5
D	AA	AC	D	
C	AA	AC	C	
B	AA	AC	B	
A	AA	AC	A	
ROW	1	2	ROW	PART NUMBER

CONTACT LOAD CHART

E	AB	AB	E	2-536642-4 OBSOLETE
D	AA	AA	D	
C	AB	AB	C	
B	AA	AA	B	
A	AB	AB	A	
ROW	1	2	ROW	PART NUMBER

CONTACT LOAD CHART

E			E	536642-3 OBSOLETE
D	AC	AC	D	
C	AB	AB	C	
B	AA	AA	B	
A	AC	AC	A	
ROW	1	2	ROW	PART NUMBER

CONTACT LOAD CHART

E	AC	AC	E	536642-7 OBSOLETE 5
D	AC	AC	D	
C	AC	AC	C	
B	AC	AC	B	
A	AC	AC	A	
ROW	1	2	ROW	PART NUMBER

CONTACT LOAD CHART

E	AC	AA	E	2-536642-5 OBSOLETE 5
D	AC	AA	D	
C	AC	AA	C	
B	AC	AA	B	
A	AC	AA	A	
ROW	1	2	ROW	PART NUMBER

CONTACT LOAD CHART

E	AA	AA	E	536642-4 OBSOLETE 5
D	AA	AA	D	
C	AB	AB	C	
B	AC	AC	B	
A	AC	AC	A	
ROW	1	2	ROW	PART NUMBER

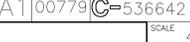
CONTACT LOAD CHART

E	AC	AC	E	1-536642-0 OBSOLETE 5
D	AB	AB	D	
C	AD	AD	C	
B			B	
A	AC		A	
ROW	1	2	ROW	PART NUMBER

CONTACT LOAD CHART

E	AA	AA	E	2-536642-6
D	AB	AB	D	
C	AC	AC	C	
B			B	
A	AB	AC	A	
ROW	1	2	ROW	PART NUMBER

CONTACT LOAD CHART

THIS DRAWING IS A CONTROLLED DOCUMENT.		DIN T. SHUEY 1-7-98	 TE Connectivity
DIMENSIONS: mm		CHK W. MILLHIMES 1-16-98	
TOLERANCES UNLESS OTHERWISE SPECIFIED:		APVD W. MILLHIMES 1-16-98	NAME
0. PLC ± - 1. PLC ± - 2. PLC ± - 3. PLC ± - 4. PLC ± - ANGLES ± -		PRODUCT SPEC 108-1441	ASSEMBLY, PIN, VERTICAL, 5 ROW, POWER MODULE, PRESS FIT LEAD, Z-PACK 2mm FB
MATERIAL		SIZE 114-1075	RESTRICTED TO
FINISH		WEIGHT -	SCALE 4:1 SHEET 2 OF 2 REV R4
		CUSTOMER DRAWING	

X-ON Electronics

Largest Supplier of Electrical and Electronic Components

Click to view similar products for [High Speed/Modular Connectors](#) category:

Click to view products by [TE Connectivity](#) manufacturer:

Other Similar products are found below :

[2332816-1](#) [89006-1137LF](#) [650827-1](#) [65762-001LF](#) [73474-201LF](#) [74040-1346](#) [74075-0267](#) [1410191-1](#) [1410337-1](#) [1410368-3](#) [1410964-2](#)
[1410367-3](#) [1410971-4](#) [1467833-1](#) [2000877-1](#) [2000878-1](#) [2041314-1](#) [2065387-1](#) [2187307-1](#) [2187462-1](#) [91290-101LF](#) [163P](#) [1934290-1](#)
[2000875-1](#) [2065917-1](#) [2102736-2](#) [FSR-40](#) [2169868-2](#) [22354-8](#) [437-5040-000](#) [5-1393565-0](#) [532449-3](#) [532803-2](#) [34745-0001](#) [1-1393708-5](#)
[73774-1000](#) [532939-1](#) [5-531355-3](#) [85838-180LF](#) [HM1S43TRR460H6PLF](#) [0760205010](#) [0782341022](#) [1-966831-4](#) [3-1469268-7](#) [77427-121LF](#)
[74748-102LF](#) [10009542-001LF](#) [73983-A001LF](#) [10041743-101LF](#) [10066670-100002LF](#)