

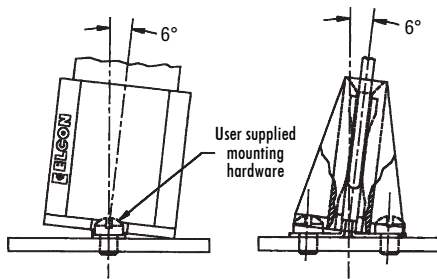
Elcon CROWN CLIP II Hot Plug Socket Connector

tyco
Electronics

The CROWN CLIP II socket, the latest addition to Elcon's CROWN CLIP family, is a bus bar-mount socket connector designed to deliver high current and true hot pluggability in bus bar-based power distribution systems. The CROWN CLIP II connector combines a dual-pole contact design that allows mating with laminated bus bars, with the float-mounting capability of the original CROWN CLIP socket design.

Float mount socket design

The CROWN CLIP II connector has a float mount socket design that provides alignment for superior blind mating of rack-mounted power supply units.



High currents up to 300A

The CROWN CLIP II socket uses Elcon's high-performance contact element with multiple points of contact for high current capabilities with low voltage drop and heat generation. Current rating can be up to 300A or more and depends factors such as mating bus bar thickness and plating, and cooling conditions inside the equipment. The charts on the reverse show the electrical performance of this socket using bus bar tabs of different thicknesses and plating.

Hot plug design

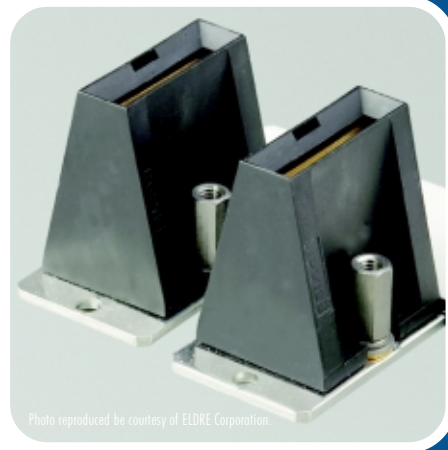
The CROWN CLIP II socket complies with the safety regulatory requirements for current interruption under load. Compliance is achieved by a contact design that restricts the effects of arcing to areas that do not compromise the integrity of the connection. Hot plugging requires a solid gold-plated mating blade.

Dual-pole contact design

The dual-pole contact design CROWN CLIP II connector can be mated with a laminated bus bar, allowing feed and return in a single socket. This design feature facilitates the integration of CROWN CLIP II sockets in modern power distribution systems where laminated bus bars are becoming more commonplace.

Safety agency compliance

The CROWN CLIP II socket has been evaluated and found to comply with the UL1977 standard and the CSA standard C22.2 No. 182.3-M1987. Elcon will work with customers to obtain application-specific regulatory certifications if needed.



KEY FEATURES

- High currents to 300A
- Mates with solid or laminated bus bar tabs, .125" or 3 mm thick
- Float mount allows blind mating
- Supports current interruption
- Meets safety requirements

TARGET APPLICATIONS

- Bus bar-based power distribution
- Power racks
- Rack mounted switching power supplies

ORDERING INFORMATION

Part number: 538-0068-00100

For more information about this or any other Elcon connector product, visit the Elcon website at:

www.elconproducts.com

Elcon is a Tyco Electronics brand. To find out more about other Tyco Electronics brands, products and services, visit the Tyco Electronics website at:

www.tycoelectronics.com

Leaders in Current Thinking™

ELCON
PRODUCTS INTERNATIONAL COMPANY

UL®
US
File No. E102484

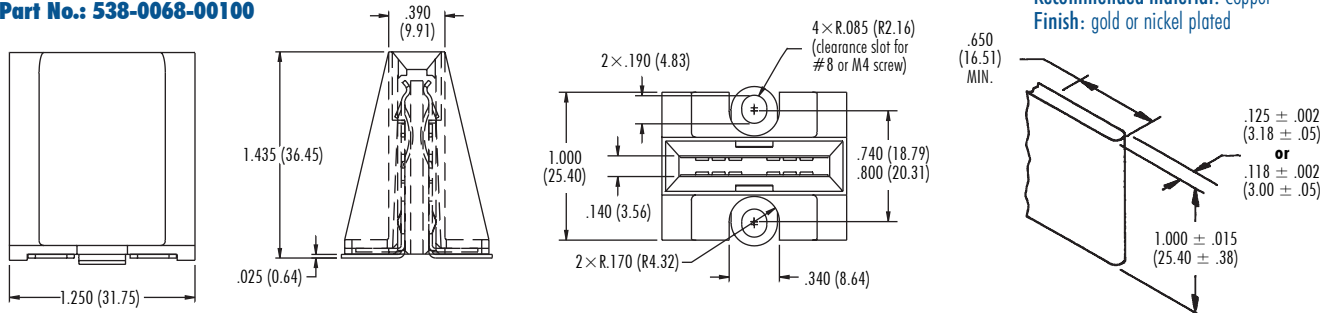
PRODUCT SPECIFICATIONS

MATERIALS & FINISHES		
Insulator		Polyester, UL 94V-0, black
Contact element		Copper alloy, nickel plated per QQ-N-290 overall, gold plated per MIL-G-45204 at contact mating areas
ELECTRICAL		
Current ratings		300A maximum, 230A with 30°C maximum temperature rise (see "Current vs. Temperature Rise" chart below.)
Millivolt drop		30mV typical at 300A max. current (see "Current vs. mV Drop" chart below)
MECHANICAL		
Forces	Insertion	20lbs. typical
	Extraction	10lbs typical

GENERAL DIMENSIONS

Customer Use Drawing (CUD) number 399-024 available upon request.

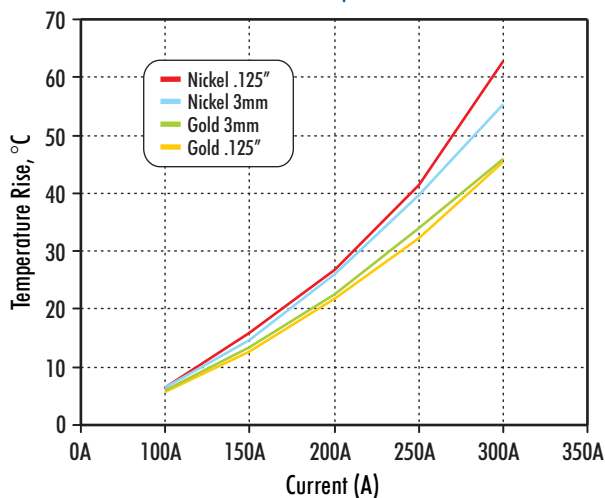
Part No.: 538-0068-00100



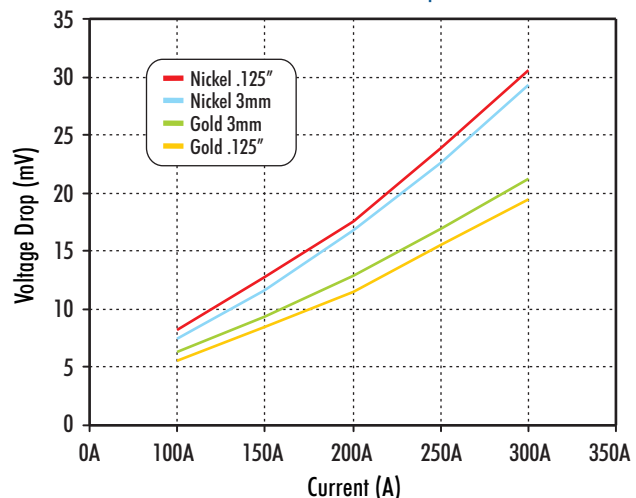
CURRENT RATINGS

The graphs below show the electrical performance of the the CROWN CLIP socket in terms of temperature rise and voltage drop when subject to currents from 150A to 300A using a mating blade of .125" (3.18 mm) and .118" (3.00 mm) thickness.

Current vs. Temperature Rise



Current vs. mV Drop



To find out more about this or any other Elcon connector product, visit the Elcon website at www.elconproducts.com or simply contact the Elcon office nearest you:

tyco
Electronics

ELCON
PRODUCTS INTERNATIONAL COMPANY

Worldwide Headquarters — elcon.sales@tycoelectronics.com
42700 Lawrence Place, Fremont, CA 94538
Tel: 510.490.4200 · Fax: 510.490.3740
European Head Office — elcon.sales-uk@tycoelectronics.com
Tel: +44.1296.331855 · Fax: +44.1296.331856
Spain Office — elcon.sales-sp@tycoelectronics.com
Tel: +34.91.655.5007 · Fax: +34.91.655.7607
Nihon Elcon KK (Japan) — elcon.sales-jp@tycoelectronics.com
Tel: +81(0)3.5385.7781 · Fax: +81(0)3.5385.7786
www.elconproducts.com

Your Authorized Representative/Distributor:

X-ON Electronics

Largest Supplier of Electrical and Electronic Components

Click to view similar products for [Barrier Terminal Blocks](#) category:

Click to view products by [TE Connectivity](#) manufacturer:

Other Similar products are found below :

[CR151D20104](#) [670A-RZ-15-KT20](#) [6C1N03](#) [6PCR-02](#) [6PCR-02-008](#) [6PCR-05-008](#) [6PCR-08-008](#) [6PCR-09-008](#) [6PCR-13-006](#) [6PCR-15-006](#) [6PCR-21-006](#) [6PCV-06-008](#) [6PCV-06-716](#) [6PCV-09-001](#) [6PCV-10-009](#) [6PCV-15-008](#) [6PCV-17-1206](#) [6PCV-20-323](#) [6PCV-30-006](#) [6STR-06-006](#) [6STR-08-006](#) [6STR-12-008](#) [6STR-13-006](#) [6STR-14-008](#) [6STR-16-008](#) [6STR-17-008](#) [6STR-21-008](#) [6STR-25-008](#) [6STR-27-008](#) [6STV-03-006](#) [6STV-03-008](#) [6STV-04-006](#) [6STV-09-006](#) [6STV-10-006](#) [6WWR-03-693](#) [6WWV-12-008](#) [6WWV-16-008](#) [72212603](#) [72504-C-50](#) [72506-C](#) [72507-C-50](#) [73203](#) [75505-C](#) [75505-C-50](#) [75510-C](#) [77010-50](#) [7C1N08](#) [812-GP-3/4ST-09](#) [8-1437402-5](#) [8-1437402-7](#)