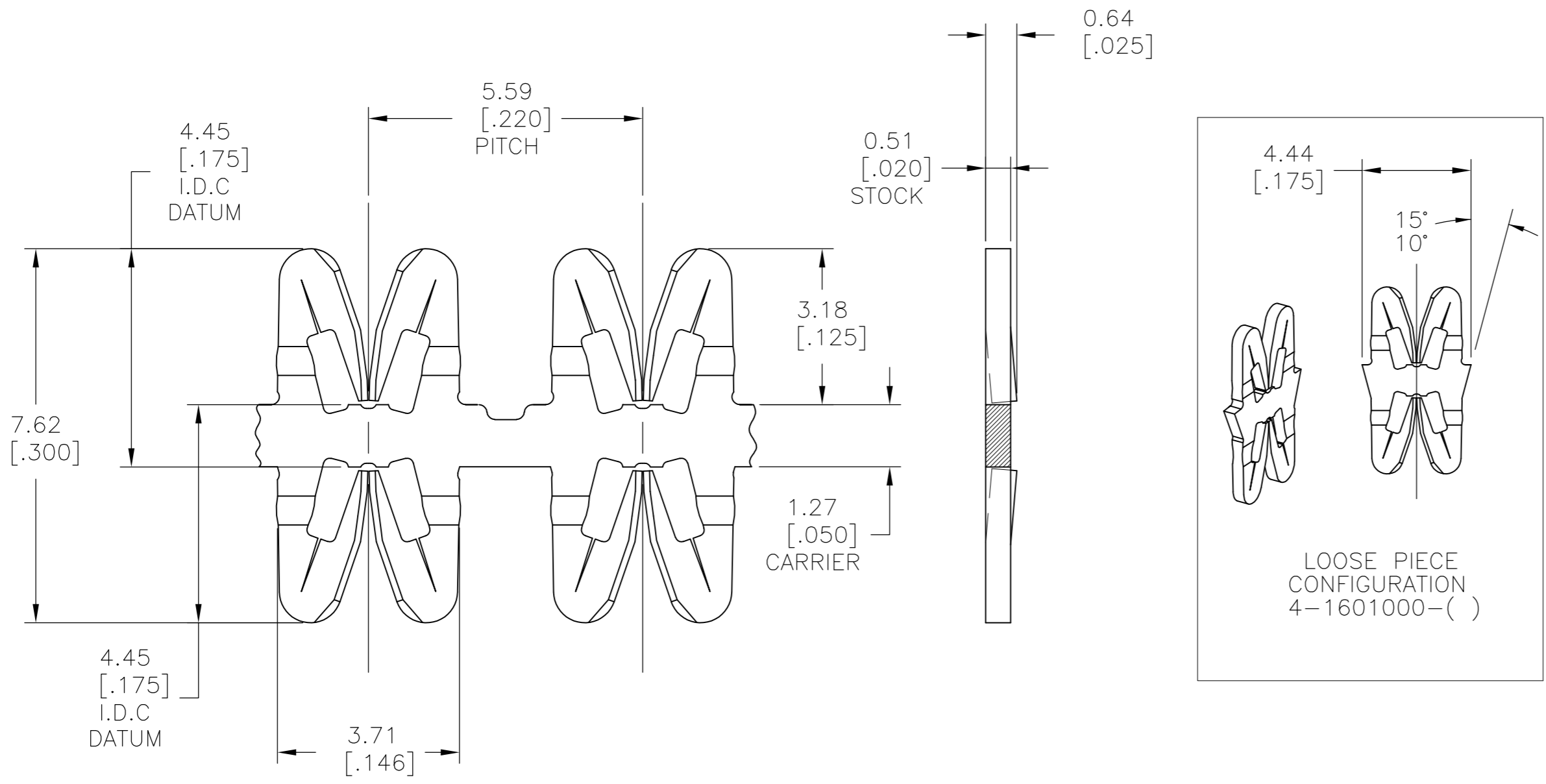


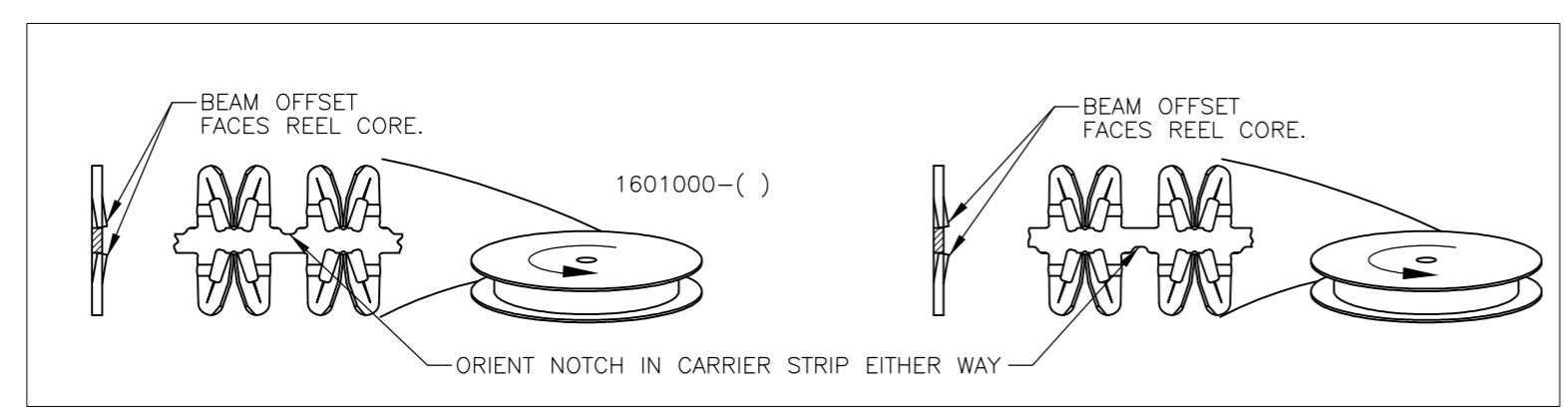
THIS DRAWING IS UNPUBLISHED. RELEASED FOR PUBLICATION  
 © COPYRIGHT BY TYCO ELECTRONICS CORPORATION. ALL INTERNATIONAL RIGHTS RESERVED.

LOC	DIST	REVISIONS			
P	LTR	DESCRIPTION	DATE	DWN	APVD
AF	50	C3	REVISED PER ECR-09-008562	29APR09	HMR GJ



- SPECIFICATIONS:  
 MAGNET WIRE #18 - #34 AWG,  
 1.02(.040) - 0.16(.006) DIA COPPER.  
 LEAD WIRE #18 - #22 AWG,  
 0.8(.031)mm<sup>2</sup> - 0.3(.011)mm<sup>2</sup> STRANDED,  
 BONDED OR SOLID WITH PVC INSULATION  
 MAX INSULATION O.D. 2.9(.115)  
 NO STRIPPING REQUIRED. OTHER INSULATION TYPES.  
 MAY BE ACCOMMODATED, CONSULT  
 TYCO ELECTRONICS FOR APPROVAL.
- POCKET RECOMMENDATION: #1601421  
 ALTERANTE POCKET : #1601462
- TERMINAL APPLICATION TO COMPLY WITH  
 TYCO ELECTRONICS SPECIFICATION 114-13166  
 FIGURE 3 OR 4
- REDUCED QUANTITY PACKAGING
- PRELIMINARY - NOT FOR PRODUCTION.

TERMINAL TO UNWIND FROM REELS BY EITHER METHOD SHOWN:



OBSOLETE	UNPLATED	031-501-000	9-1601000-1
OBSOLETE	UNPLATED	231-001-000	6-1601000-1
	POST NICKEL PLATED	-	5-4-1601000-3
	POST TIN PLATE OVER COPPER UNDERPLATE	031-001-001	4-1601000-2
	UNPLATED	031-001-000	4-1601000-1
	POST TIN PLATE OVER COPPER UNDERPLATE	-	4-3-1601000-2
	POST TIN PLATE OVER COPPER UNDERPLATE	131-001-001	1601000-2
	UNPLATED	131-001-000	1601000-1
	FINISH	REFERENCE PART NUMBER	PART NUMBER
THIS DRAWING IS A CONTROLLED DOCUMENT.		DWN J.WELLER 11JAN2002	Tyco Electronics Corporation Harrisburg, PA 17105-3608
DIMENSIONS: mm [INCHES]		CHK M.FEHER 11JAN2002	
TOLERANCES UNLESS OTHERWISE SPECIFIED:		APVD K.RANDOLPH 11JAN2002	NAME STANDARD RANGE WIRE TO WIRE SIAMEZE TERMINAL
0 PLC ± -		PRODUCT SPEC 108-2085	
1 PLC ± 0.25[.010]		APPLICATION SPEC	SIZE A2
2 PLC ± 0.13[.005]		WEIGHT -	CAGE CODE 00779
3 PLC ± -		FINISH SEE TABLE	DRAWING NO C=1601000
4 PLC ± -			RESTRICTED TO -
ANGLES ± 2°			SCALE 10:1
MATERIAL BRASS, SPRING HARD			SHEET 1 OF 1
		CUSTOMER DRAWING	REV C3

## X-ON Electronics

Largest Supplier of Electrical and Electronic Components

*Click to view similar products for [Barrier Terminal Blocks](#) category:*

*Click to view products by [TE Connectivity](#) manufacturer:*

Other Similar products are found below :

[CR151D20104](#) [670A-RZ-15-KT20](#) [6C1N03](#) [6PCR-02](#) [6PCR-02-008](#) [6PCR-05-008](#) [6PCR-08-008](#) [6PCR-09-008](#) [6PCR-13-006](#) [6PCR-15-006](#) [6PCR-21-006](#) [6PCV-06-008](#) [6PCV-06-716](#) [6PCV-09-001](#) [6PCV-10-009](#) [6PCV-15-008](#) [6PCV-17-1206](#) [6PCV-20-323](#) [6PCV-20-720](#) [6PCV-30-006](#) [6STR-06-006](#) [6STR-08-006](#) [6STR-12-008](#) [6STR-13-006](#) [6STR-14-008](#) [6STR-16-008](#) [6STR-17-008](#) [6STR-21-008](#) [6STR-25-008](#) [6STR-27-008](#) [6STV-03-006](#) [6STV-03-008](#) [6STV-04-006](#) [6STV-09-006](#) [6STV-10-006](#) [6WWR-03-693](#) [6WWV-12-008](#) [6WWV-16-008](#) [72212603](#) [72504-C-50](#) [72506-C](#) [72507-C-50](#) [73203](#) [75505-C](#) [75505-C-50](#) [75510-C](#) [77010-50](#) [7C1N08](#) [812-GP-3/4ST-09](#) [8-1437402-5](#)