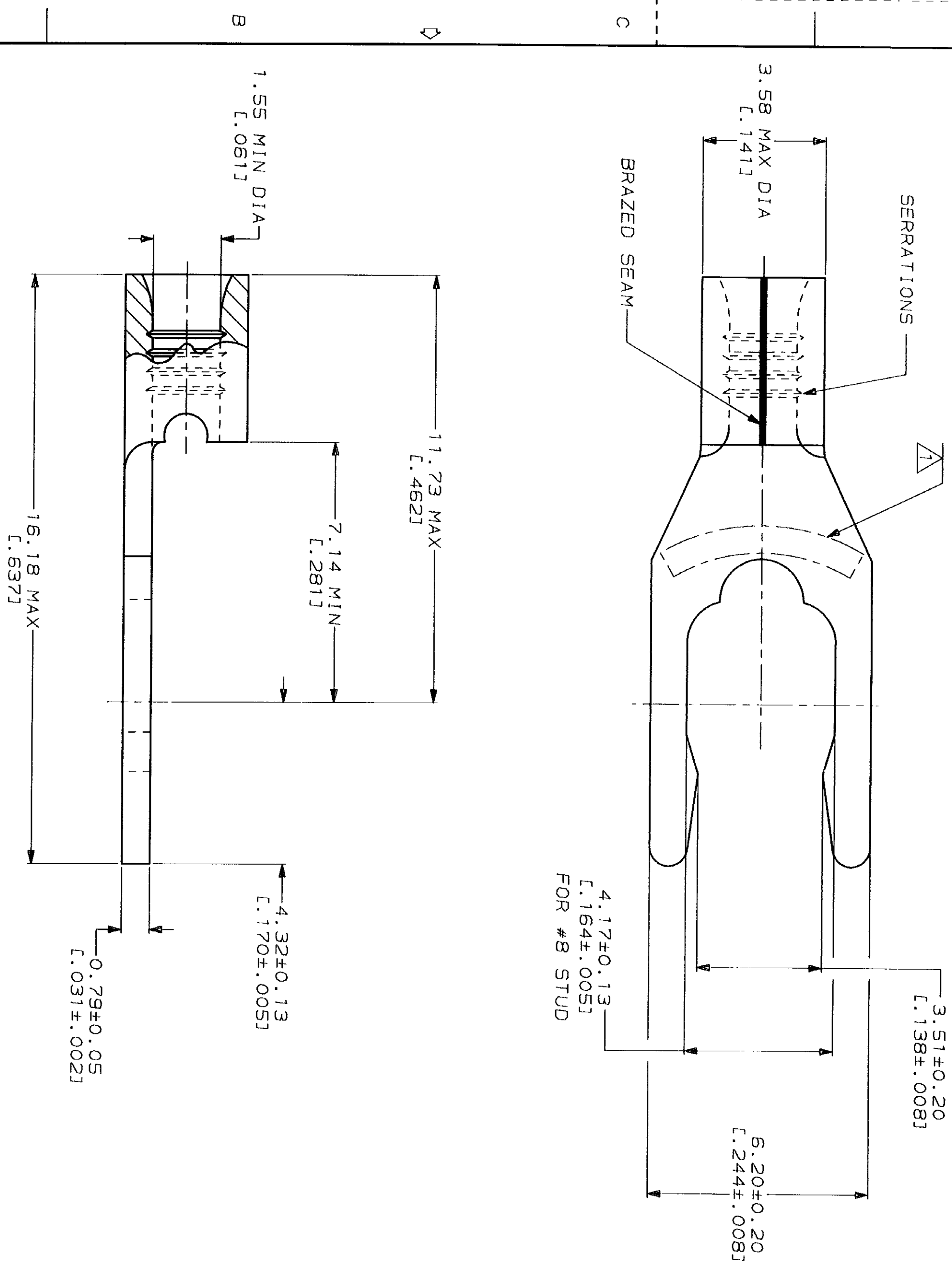


<b>AMP</b> WIRE RANGE		E13288 Listed
22-16 AWG SOLID OR STRANDED	22-16 AWG SOLID OR STRANDED	
LR7189 Certified	MILITARY P/N AND CLASS	
22-16 AWG SOLID OR STRANDED	NOT APPLICABLE	

STAMP 85 AMP 22-16\* APPROX AS SHOWN  
 22-16 TERMINALS ARE STAMPED 22-18 IN  
 ACCORDANCE WITH MILITARY SPECIFICATION  
 MIL-T-7928, COMMERCIAL WIRE RANGE IS 22-16  
 85 INDICATES STUD SIZE



**AMP INCORPORATED  
 CUSTOMER SERVICE SYSTEMS**

FOR ADDITIONAL PRODUCT INFORMATION OR COPIES OF DRAWINGS AND TECHNICAL DOCUMENTS	PRODUCT INFORMATION CENTER 1-800-522-6752
FOR APPLICATION TOOLING INFORMATION	TOOLING ASSISTANCE CENTER 1-800-722-1111
FOR ORDER ENTRY	1-800-526-5142

MAX RECOMMENDED OPERATING  
 TEMPERATURE: 170°C MAX

VOLTAGE RATING:  
 NOT APPLICABLE

WIRE CROSS SECTIONAL AREA RANGE:  
 0.26-1.65mm<sup>2</sup> (509-3,2601 CIR MILS  
 SOLID OR STRANDED)

DO NOT SCALE PRINT.  
 UNLESS SPECIFIED  
 DIMENSIONS IN mm - (INCHES)  
 TOLERANCES ON:  
 1. DIMENSIONS IN mm - ±0.10  
 2. PLG DEC ± .01  
 3. PLG DEC ANGLES ± .5

MATERIAL  
 PHOSPHOR BRONZE  
 PER ASTM B-103  
 ANNEALED

FINISH  
 TIN PLATE  
 0.00254 [L.000100] MIN  
 THK PER MIL-T-10727

DR 3-29-93 TA BRINKMAN
CHK 3-29-93 DA PATTERSON
APPD 3-29-93 DE MILLER
APPD 3-29-93 JL MECKLEY
PRODUCT SPEC
APPLICATION SPEC
WEIGHT

AMP	AMP Incorporated Harrisburg, PA 17105-3608
-----	---

TERMINAL, SHORT  
 SPRING SPADE, SOLISTRAND™

QUANTITY	PACKAGING TYPE	PART NO
100	LOOSE PIECE, BOX	8-53831-1
5000	ON TAPE	53831-2
---	LOOSE PIECE	53831-1

## X-ON Electronics

Largest Supplier of Electrical and Electronic Components

*Click to view similar products for [Terminals](#) category:*

*Click to view products by [TE Connectivity](#) manufacturer:*

Other Similar products are found below :

[00-054007-01074-6](#) [00-054007-70206-1](#) [00-054007-70210-8](#) [00-054007-70217-7](#) [00-054007-70226-9](#) [00-054007-70228-3](#) [00-054007-70248-1](#) [00-054007-70256-6](#) [00-054007-70301-3](#) [00-054007-70316-7](#) [00-054007-49560-4](#) [00-054007-70209-2](#) [00-054007-70225-2](#) [00-054007-70227-6](#) [00-054007-70231-3](#) [00-054007-70241-2](#) [00-054007-70242-9](#) [00-054007-70244-3](#) [00-054007-70246-7](#) [00-054007-70263-4](#) [00-054007-70288-7](#) [00-054007-70290-0](#) [00-054007-70300-6](#) [00-054007-70304-4](#) [01-2065-1-0216](#) [01-2900-1-04412](#) [00581P0075](#) [600TS-10](#) [60205-1](#) [604200-1](#) [605601-1](#) [60598-1-CUT-TAPE](#) [61314-6-C](#) [61810-3](#) [61-S](#) [61-SN](#) [626-0194](#) [62-NBM-A](#) [62-SN](#) [62-SP](#) [63-S](#) [640179-1](#) [M55155/059I03](#) [M55155/079C01](#) [M55155/099H02](#) [M55155/109H01](#) [M55155/109H02](#) [M55155/12XH05](#) [M55155/16XH02](#) [M55155/29-5S](#)