

53889-1 ✓ ACTIVE

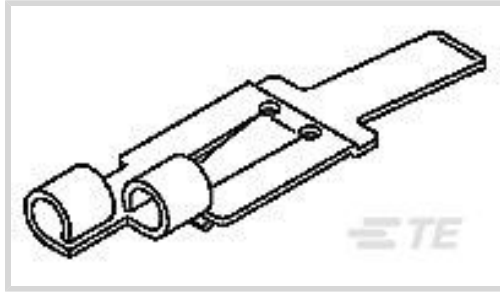
TE Internal #: 53889-1

Splices, Contact, Splice, 14 – 10AWG Wire Size, 2 – 6mm<sup>2</sup> Wire Size, Splice Material Thickness .025 in [.64 mm], Serrated, 8 Serration

[View on TE.com >](#)



Terminals & Splices > Splices



Splice Product Type: **Contact**

Terminal & Splice Type: **Splice**

Wire Size: **2 – 6 mm<sup>2</sup>**

Sealable: **No**

## Features

### Product Type Features

Discrete Wire Type	Stranded
Splice Product Type	Contact
Sealable	No
Serrated	Yes
Splice Barrel Type	Open Barrel
Splice Wire/Cable Type	Discrete Wire
Insulated	No
Support Style	Non-Insulation Support

### Configuration Features

Number of Serrations	8
----------------------	---

### Contact Features

Contact Plating Material	Silver
Terminal & Splice Type	Splice

### Termination Features

Termination Method	Crimp
--------------------	-------

### Mechanical Attachment

Wire Insulation Support	Without
-------------------------	---------

### Dimensions

Wire Size	2 – 6 mm <sup>2</sup>
-----------	-----------------------



Splice Material Thickness	.64 mm[.025 in]
---------------------------	-----------------

Splice Overall Length	42.41 mm[1.67 in]
-----------------------	-------------------

### Usage Conditions

Insulation Requirement	Uninsulated
------------------------	-------------

### Operation/Application

Heavy Duty	No
------------	----

### Industry Standards

Government Qualified Splice	No
-----------------------------	----

### Packaging Features

Packaging Quantity	100
--------------------	-----

Splice Packaging Method	Bag
-------------------------	-----

## Product Compliance

[For compliance documentation, visit the product page on TE.com>](#)

EU RoHS Directive 2011/65/EU	Compliant
------------------------------	-----------

EU ELV Directive 2000/53/EC	Compliant
-----------------------------	-----------

China RoHS 2 Directive MIIT Order No 32, 2016	No Restricted Materials Above Threshold
---	---

EU REACH Regulation (EC) No. 1907/2006	Current ECHA Candidate List: JAN 2021 (211) Candidate List Declared Against: JAN 2021 (211) Does not contain REACH SVHC
--	---

Halogen Content	Low Halogen - Br, Cl, F, I < 900 ppm per homogenous material. Also BFR/CFR/PVC Free
-----------------	---

Solder Process Capability	Not applicable for solder process capability
---------------------------	--

#### Product Compliance Disclaimer

This information is provided based on reasonable inquiry of our suppliers and represents our current actual knowledge based on the information they provided. This information is subject to change. The part numbers that TE has identified as EU RoHS compliant have a maximum concentration of 0.1% by weight in homogenous materials for lead, hexavalent chromium, mercury, PBB, PBDE, DBP, BBP, DEHP, DIBP, and 0.01% for cadmium, or qualify for an exemption to these limits as defined in the Annexes of Directive 2011/65/EU (RoHS2). Finished electrical and electronic equipment products will be CE marked as required by Directive 2011/65/EU. Components may not be CE marked. Additionally, the part numbers that TE has identified as EU ELV compliant have a maximum concentration of 0.1% by weight in homogenous materials for lead, hexavalent chromium, and mercury, and 0.01% for cadmium, or qualify for an exemption to these limits as defined in the Annexes of Directive 2000/53/EC (ELV). Regarding the REACH Regulation, the information TE provides on SVHC in articles for this part number is based on the latest European Chemicals Agency (ECHA) 'Guidance on requirements for substances in articles' posted at this URL: <https://echa.europa.eu/guidance-documents/guidance-on-reach>

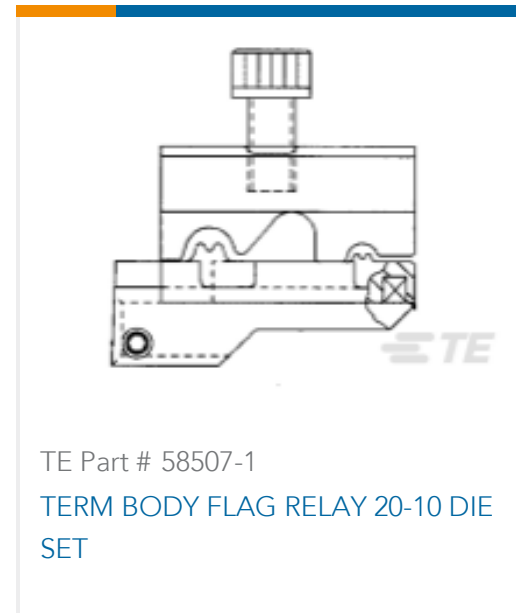
## Compatible Parts



TE Part # 68262-1  
DAHT SOLIS 14-10 ASSY



TE Part # 383079-1  
REPACK OF 53889-1



TE Part # 58507-1  
TERM BODY FLAG RELAY 20-10 DIE SET

## Customers Also Bought



TE Part #201578-1  
CONTACT PIN ASSY.



TE Part #2-6437630-0  
FTD0904=MINIATURE TOGGLE



TE Part #205690-2  
SOC. BLOCK 28 POS. SPL.



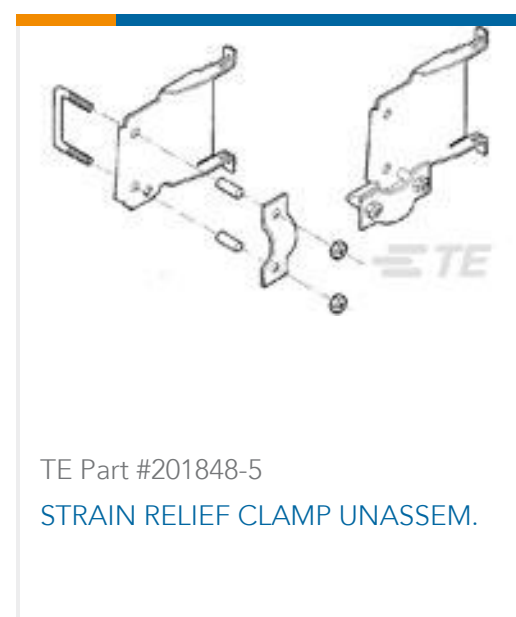
TE Part #207377-1  
HSG,PLUG 6 POSN,METRIMATE



TE Part #201368-4  
75 PL. EXTERNAL PIN HOOD



TE Part #205058-2  
50 POS. BLOCK (SOCKET)



TE Part #201848-5  
STRAIN RELIEF CLAMP UNASSEM.



TE Part #201369-4  
75 POS. PIN HOOD



TE Part #E21108-000  
HX-SCE-1K-3.2-50-9

## Documents

[CAD Files](#)

[3D PDF](#)

[3D](#)

[Customer View Model](#)

[ENG\\_CVM\\_CVM\\_53889-1\\_K.2d\\_dxf.zip](#)

[English](#)

[Customer View Model](#)



[ENG\\_CVM\\_CVM\\_53889-1\\_K.3d\\_igs.zip](#)

English

**Customer View Model**

[ENG\\_CVM\\_CVM\\_53889-1\\_K.3d\\_stp.zip](#)

English

By downloading the CAD file I accept and agree to the [Terms and Conditions](#) of use.

**Datasheets & Catalog Pages**

[RADIATION\\_RESISTANT\\_PRE-INSULATED\\_TERMINALS\\_SPLICES](#)

English

## X-ON Electronics

Largest Supplier of Electrical and Electronic Components

*Click to view similar products for [Terminals](#) category:*

*Click to view products by [TE Connectivity](#) manufacturer:*

Other Similar products are found below :

[00-054007-01074-6](#) [00-054007-70206-1](#) [00-054007-70210-8](#) [00-054007-70217-7](#) [00-054007-70226-9](#) [00-054007-70228-3](#) [00-054007-70248-1](#) [00-054007-70256-6](#) [00-054007-70301-3](#) [00-054007-70316-7](#) [00-054007-49560-4](#) [00-054007-70209-2](#) [00-054007-70225-2](#) [00-054007-70227-6](#) [00-054007-70231-3](#) [00-054007-70241-2](#) [00-054007-70242-9](#) [00-054007-70244-3](#) [00-054007-70246-7](#) [00-054007-70263-4](#) [00-054007-70288-7](#) [00-054007-70290-0](#) [00-054007-70300-6](#) [00-054007-70304-4](#) [01-2065-1-0216](#) [01-2900-1-04412](#) [00581P0075](#) [600TS-10](#) [60205-1](#) [604200-1](#) [605601-1](#) [60598-1-CUT-TAPE](#) [61314-6-C](#) [61810-3](#) [61-S](#) [61-SN](#) [626-0194](#) [62-NBM-A](#) [62-SN](#) [62-SP](#) [63-S](#) [640179-1](#) [M55155/059I03](#) [M55155/079C01](#) [M55155/099H02](#) [M55155/109H01](#) [M55155/109H02](#) [M55155/12XH05](#) [M55155/16XH02](#) [M55155/29-5S](#)