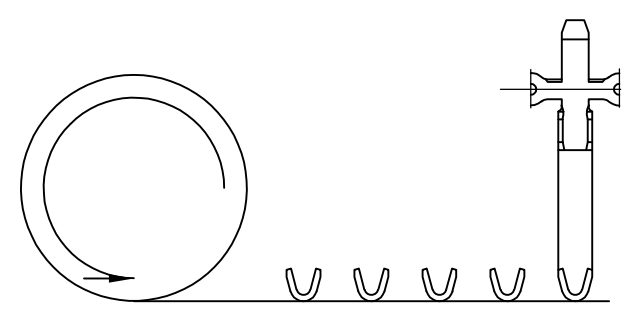
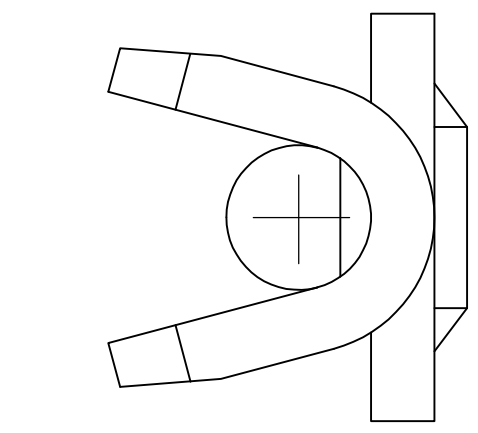
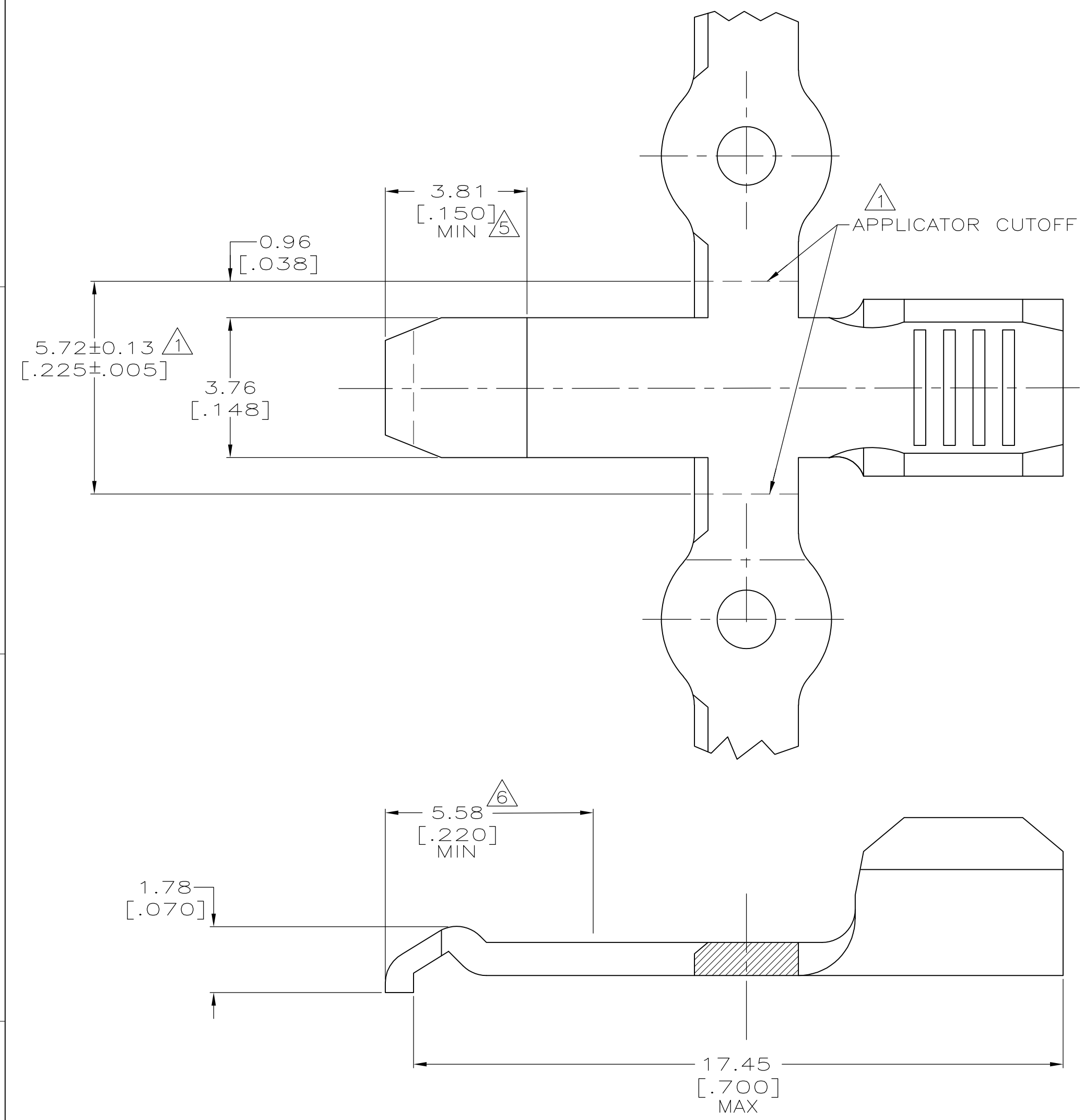


LOC	DIST	REVISIONS					
FT	60	P	LTR	DESCRIPTION	DATE	OWN	APVD
		M2		REVISED PER ECO-13-005883	23JUL2013	KH	MM



DIRECTION OFF OF REEL INTO THE APPLICATOR

SCALE: NONE

- 1 REFER TO AMP INSTRUCTION SHEET IS 2928 FOR APPLICATOR AND CUTOFF DETAILS.
- 2 MATERIAL: COPPER
- 3 FINISH: 0.05 [.000200] MINIMUM THICK SILVER PLATING.
- 4 FINISH: 0.00076 [.000030] MINIMUM THICK GOLD PLATING OVER 0.00127 [.000050] MINIMUM THICK NICKEL PLATING.
- 5 FINISH: 0.00076 [.000030] MINIMUM THICK GOLD PLATING OVER TOP SURFACE INDICATED AND GOLD FLASH OVER REMAINING SURFACES OVER 0.00127 [.000050] MINIMUM NICKEL PLATING.
- 6 TOP SURFACE IS GRAPHITE COATED IN AREA INDICATED.

SUPERSEDED BY	SYMBOLS	DESCRIPTION	PART NO
-2	3, 6	STRIP	1-53892-1
	5	STRIP	53892-8
OBSOLETE	4	LOOSE PIECE	53892-7
	3	LOOSE PIECE	53892-4
	3	STRIP	53892-2

THIS DRAWING IS A CONTROLLED DOCUMENT.		DWN K TILLMAN/UTA 3-21-94	STE TE Connectivity	
DIMENSIONS: MM [INCHES]		CHK D. HUSSEY 3-23-94		
TOLERANCES UNLESS OTHERWISE SPECIFIED:		APVD D. KEMPKA 3-23-94	NAME CONTACT, CRIMP BARREL, SERIES 1, POWER LOCK	
0 PLC ± -	1 PLC ± -	PRODUCT SPEC 108-11026	SIZE CAGE CODE DRAWING NO A2 00779 C-53892	
2 PLC ± 0.20 [.008]	3 PLC ± -	APPLICATION SPEC 114-6032	RESTRICTED TO -	
4 PLC ± -	ANGLES ± ± 5°	WEIGHT -	SCALE 10:1 SHEET 1 OF 1 REV M2	
MATERIAL 2	FINISH SEE TABLE	CUSTOMER DRAWING		

X-ON Electronics

Largest Supplier of Electrical and Electronic Components

Click to view similar products for [Power to the Board](#) category:

Click to view products by [TE Connectivity](#) manufacturer:

Other Similar products are found below :

[6450171-4](#) [6450552-7](#) [6600323-8](#) [6643429-1](#) [6646040-2](#) [6651939-1](#) [6766604-1](#) [120959-1](#) [1393557-2](#) [1393532-2](#) [1393532-3](#) [1393532-4](#)
[1393557-1](#) [1600812-5](#) [1-6450861-2](#) [1744132-7](#) [1761122-1](#) [1766250-1](#) [1892109-1](#) [2-6450860-5](#) [2-6450870-0](#) [1-6450161-4](#) [1-6450850-6](#) [1-](#)
[6450869-6](#) [1645526-2](#) [1-6600130-0](#) [2005243-2](#) [377-0020-11130](#) [TE34-12-16P-F0](#) [51700-10201602AALF](#) [5-6450830-6](#) [5646956-4](#) [377-](#)
[0080-11131A](#) [4-6450830-9](#) [4-6600333-3](#) [10125416-4050LF](#) [10130248-005LF](#) [6600320-3](#) [3-6450860-5](#) [1888123-2](#) [6450166-1](#) [6643978-1](#)
[6766605-1](#) [701-15-02109](#) [N11444](#) [6651938-1](#) [6450810-7](#) [46437-1112](#) [1-1589677-8](#) [5646956-5](#)