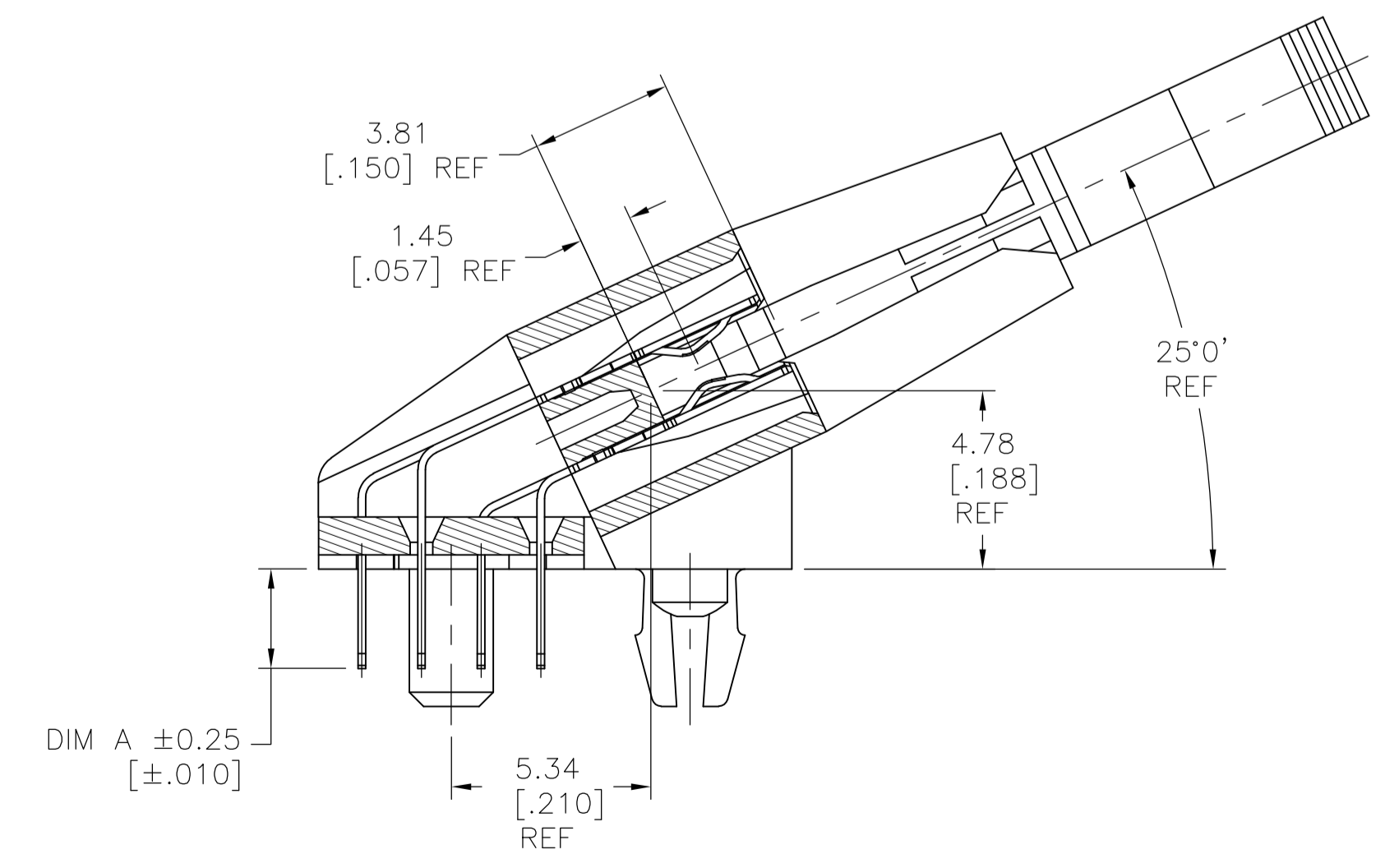
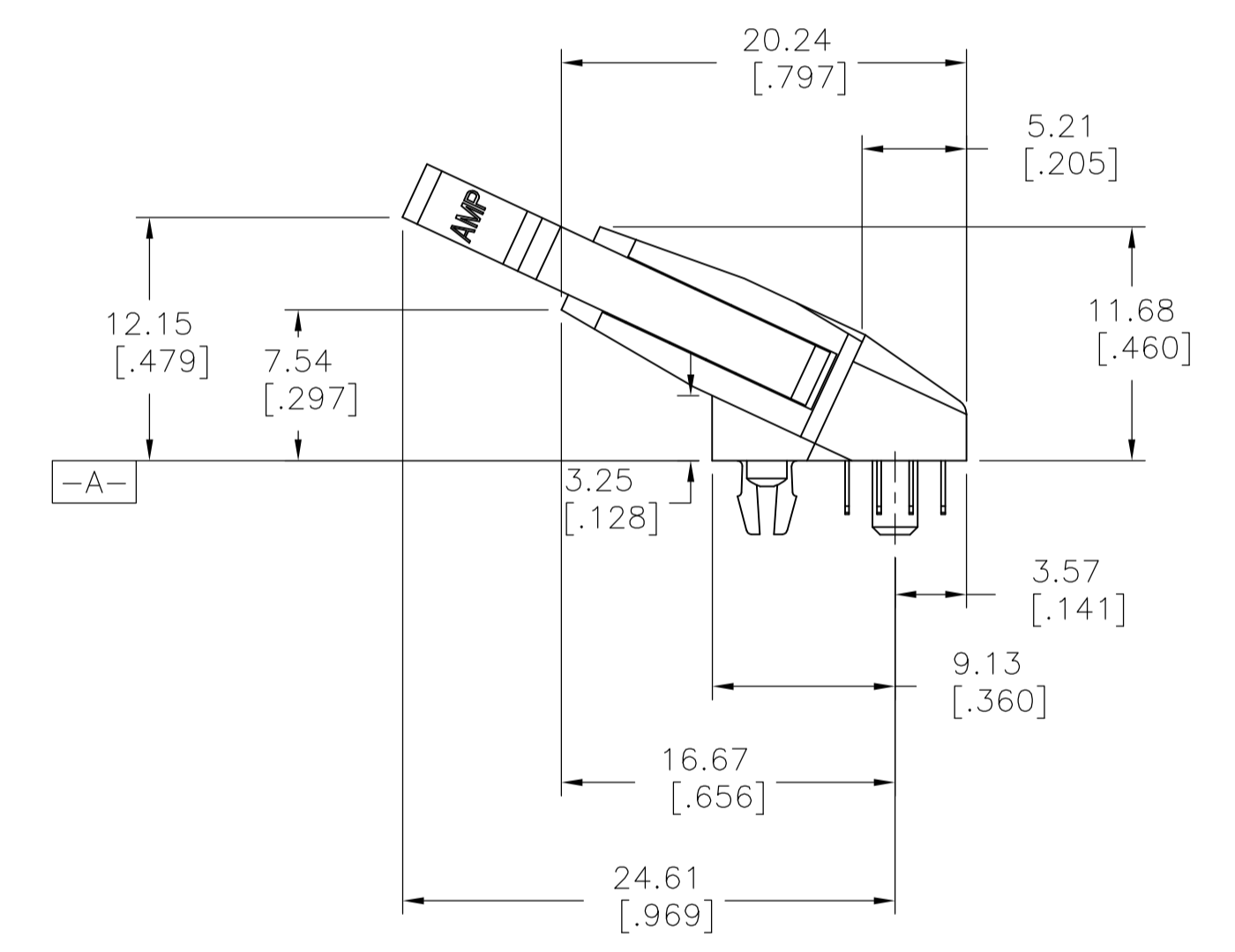
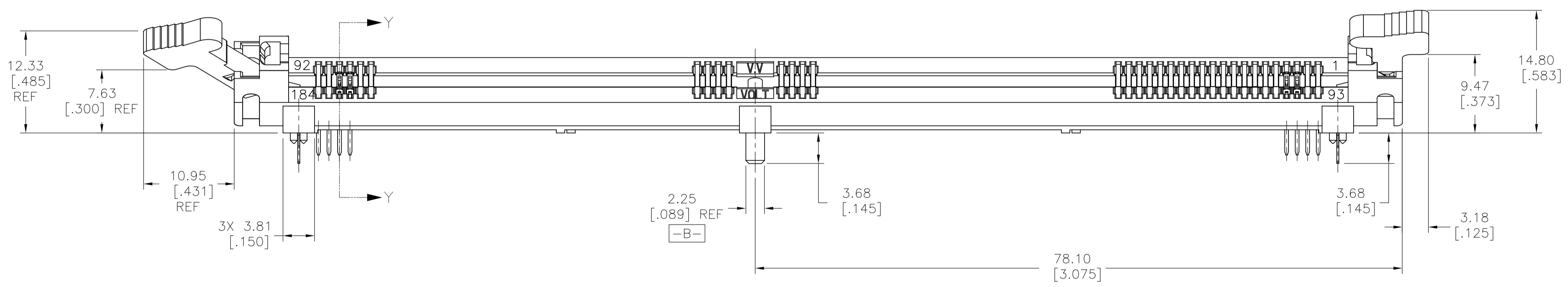
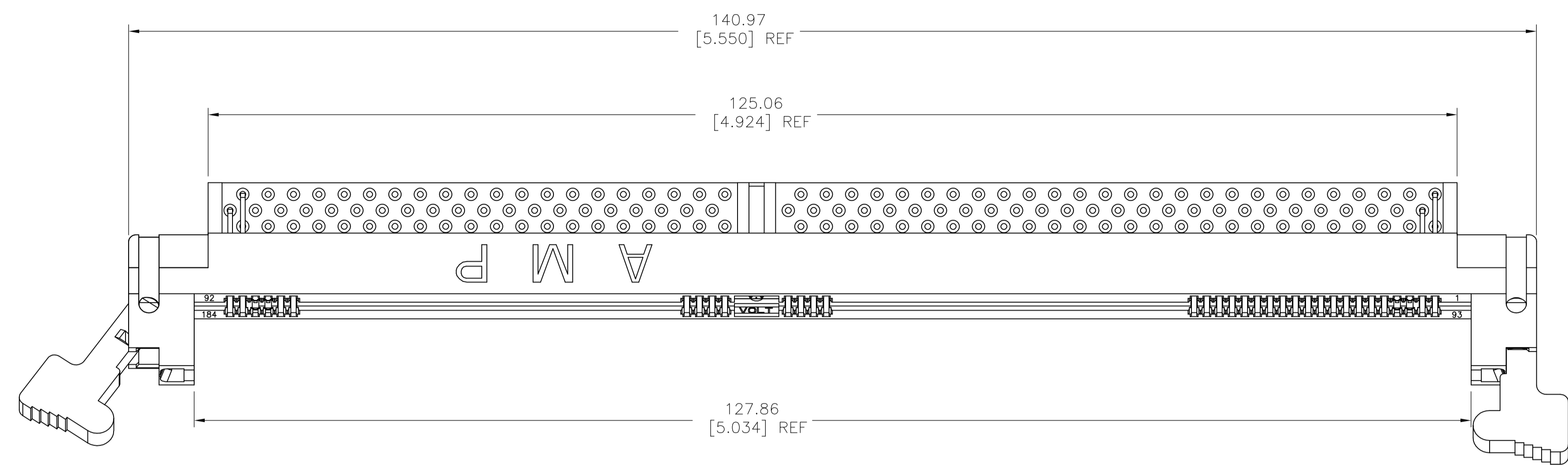


| LOC |    | DIST                        |         | REVISIONS |      |      |  |
|-----|----|-----------------------------|---------|-----------|------|------|--|
| GP  | 00 | REV                         | DATE    | BY        | CHKD | APVD |  |
| A   |    | REVISED PER EC OS11-0009-05 | 08APR05 | BM        |      | MY   |  |
| A1  |    | REVISED PER ECO-10-000444   | 04NOV09 | KK        |      | AEG  |  |

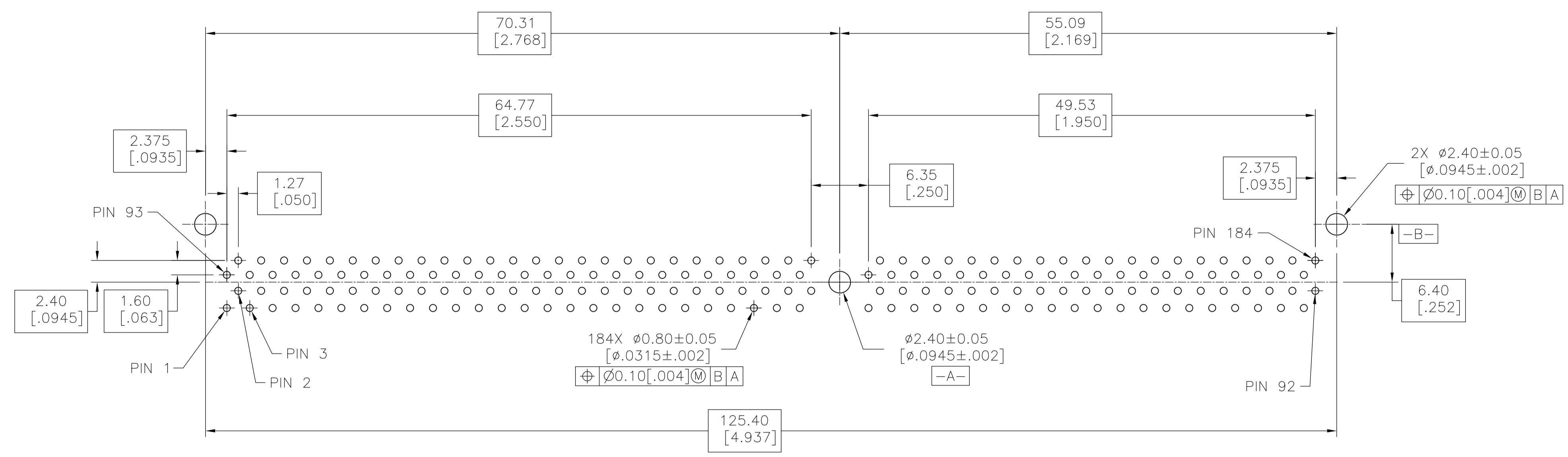
- MATERIAL:  
HOUSING AND EJECTOR:  
HIGH TEMPERATURE NYLON  
CONTACT:  
PHOSPHOR BRONZE
  - FINISH:  
CONTACT AREA:  
0.000760[.00030] MIN GOLD OVER  
0.001270[.00050] MIN THICK NICKEL  
SOLDER TAIL:  
0.00381[.000150] MIN THICK MATTE TIN OVER  
0.000641[.00025] MIN THICK NICKEL
  - MODULE BOARD PADS:  
FOR OPTIMUM PERFORMANCE PADS SHOULD BE SMOOTH AND FLAT  
PADS TO BE PLATED WITH:  
0.00102[.00040] MIN THICK GOLD OVER  
0.00127[.00050] MIN THICK NICKEL
- 4 PN: 5390402-6 IS THE SAME CONNECTOR AS 5390402-3 WITH LUBRICANT ADDED TO THE CONTACTS.
- 5 OBSOLETE PARTS: OBSOLETE CIS STREAMLINING PER D.RENAUD/D.SINISI



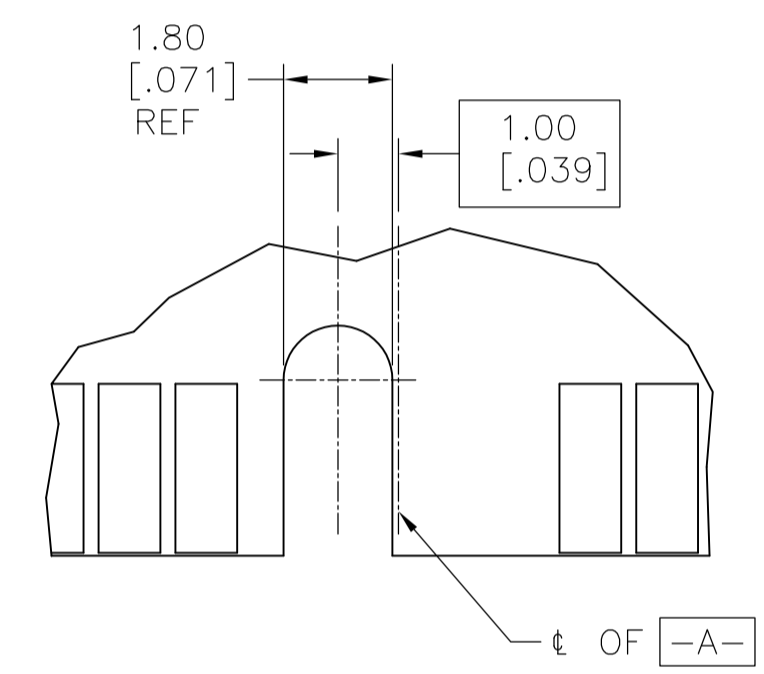
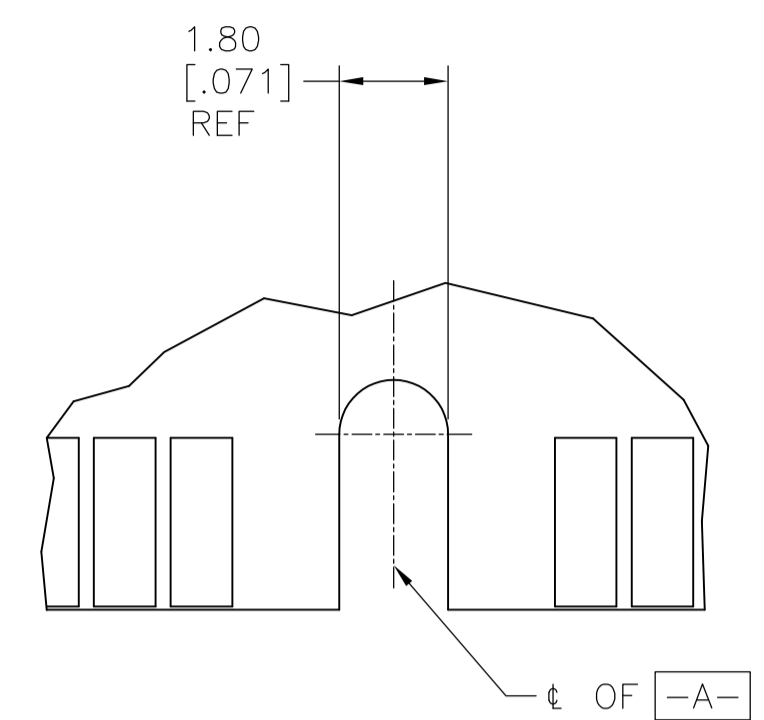
SECTION Y-Y  
SCALE 6:1

| DIM A       | KEY POSITIONS | DESCRIPTION         | PART NUMBER            |
|-------------|---------------|---------------------|------------------------|
| 4.50 [.177] | DETAIL B      | 184 POSN. DDR, 2.5V | 5390402-7              |
| 3.18 [.125] | DETAIL B      | 184 POSN. DDR, 2.5V | <del>5390402-6</del> 4 |
| 3.18 [.125] | DETAIL A      | 184 POSN. DDR, 1.8V | <del>5390402-4</del>   |
| 3.18 [.125] | DETAIL B      | 184 POSN. DDR, 2.5V | 5390402-3              |
| 2.62 [.103] | DETAIL A      | 184 POSN. DDR, 1.8V | <del>5390402-2</del>   |
| 2.62 [.103] | DETAIL B      | 184 POSN. DDR, 2.5V | 5390402-1              |

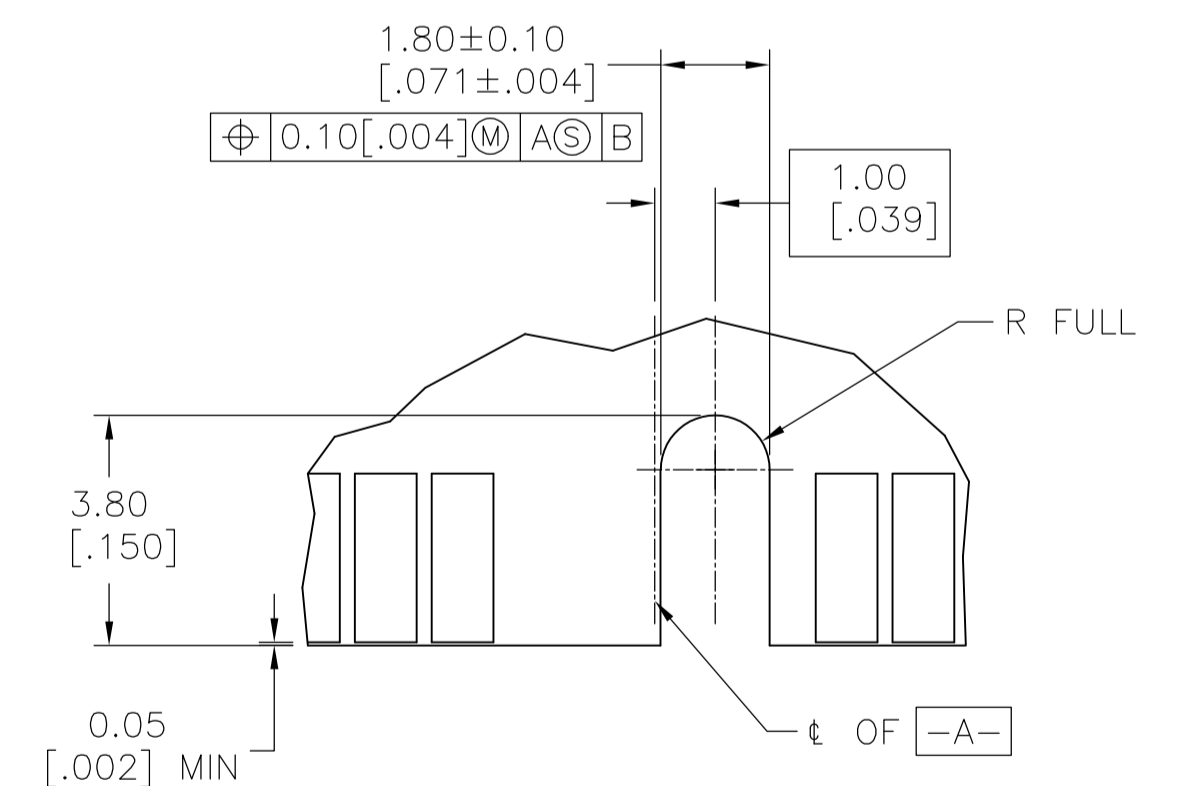
| DIMENSIONS:                            |           | TOLERANCES UNLESS OTHERWISE SPECIFIED: |                    | APPROVALS:        |           | Tyco Electronics Corporation |   |
|--|-----------|--|--------------------|-------------------|-----------|------------------------------|---|
| mm                                     | 0 PLC ± - | 1 PLC ± -                              | 2 PLC ± 0.13[.005] | 3 PLC ± -         | 4 PLC ± - | ANGLES ± -                   | Tyco Electronics Corporation<br>Harrisburg, Pa 17105-3608 |
| MATERIAL: 1                            |           |  |                    | FINISH: 2         |           |                              |   |
| THIS DRAWING IS A CONTROLLED DOCUMENT. |           |  |                    | S.WAITMAN 11OCT04 |           | Tyco Electronics Corporation |   |
| DIMENSIONS:                            |           |  |                    | M.YEOMANS 11OCT04 |           | Tyco Electronics Corporation |   |
| MATERIAL: 1                            |           |  |                    | M.YEOMANS 11OCT04 |           | Tyco Electronics Corporation |   |
| FINISH: 2                              |           |  |                    | M.YEOMANS 11OCT04 |           | Tyco Electronics Corporation |   |
| APPROVALS:                             |           |  |                    | M.YEOMANS 11OCT04 |           | Tyco Electronics Corporation |   |
| PRODUCT SPEC:                          |           |  |                    | M.YEOMANS 11OCT04 |           | Tyco Electronics Corporation |   |
| APPLICATION SPEC:                      |           |  |                    | M.YEOMANS 11OCT04 |           | Tyco Electronics Corporation |   |
| SIZE:                                  |           |  |                    | M.YEOMANS 11OCT04 |           | Tyco Electronics Corporation |   |
| WEIGHT:                                |           |  |                    | M.YEOMANS 11OCT04 |           | Tyco Electronics Corporation |   |
| CUSTOMER DRAWING:                      |           |  |                    | M.YEOMANS 11OCT04 |           | Tyco Electronics Corporation |   |



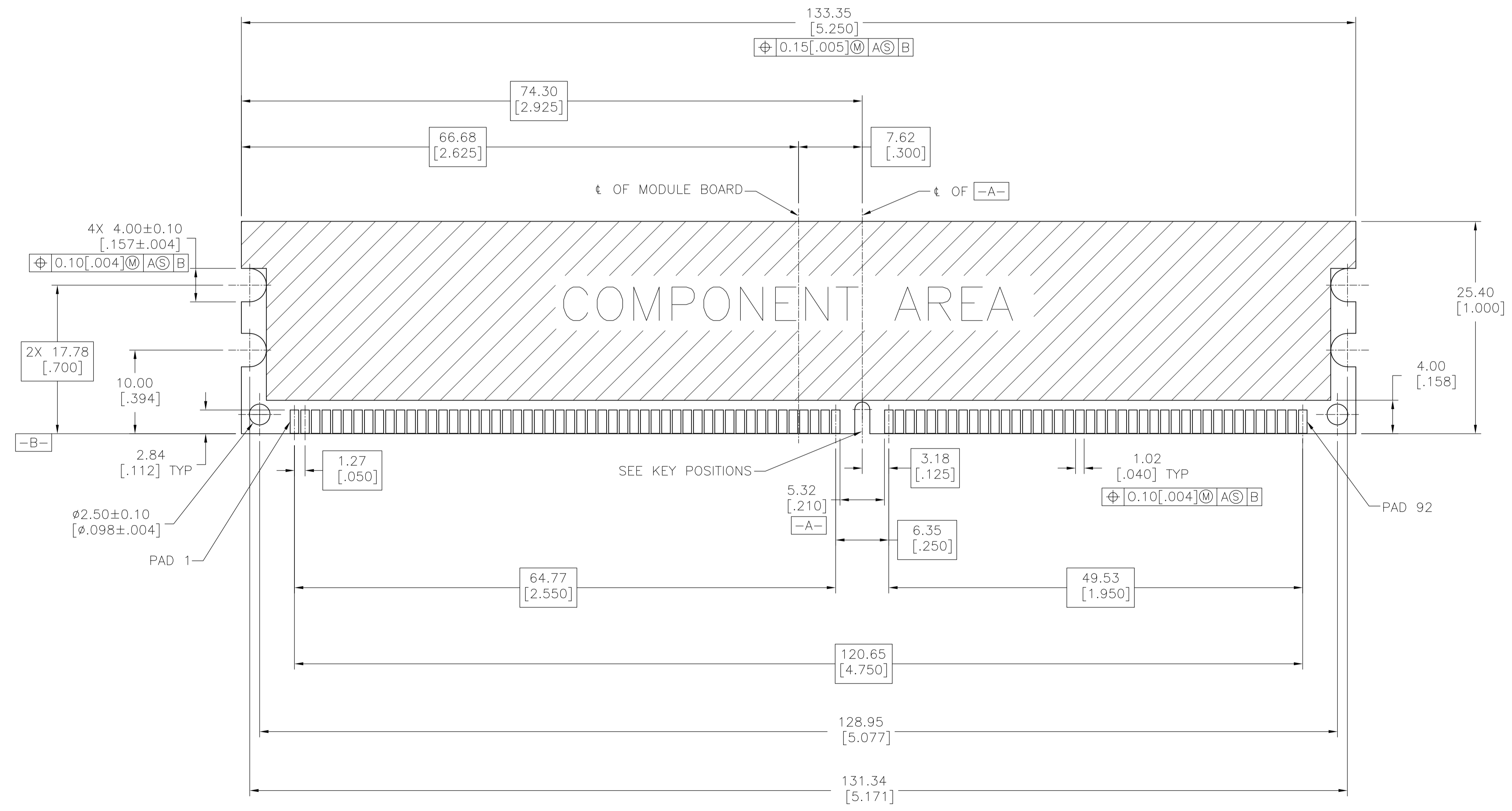
RECOMMENDED CIRCUIT BOARD HOLE LAYOUT



DETAIL B SCALE 8:1

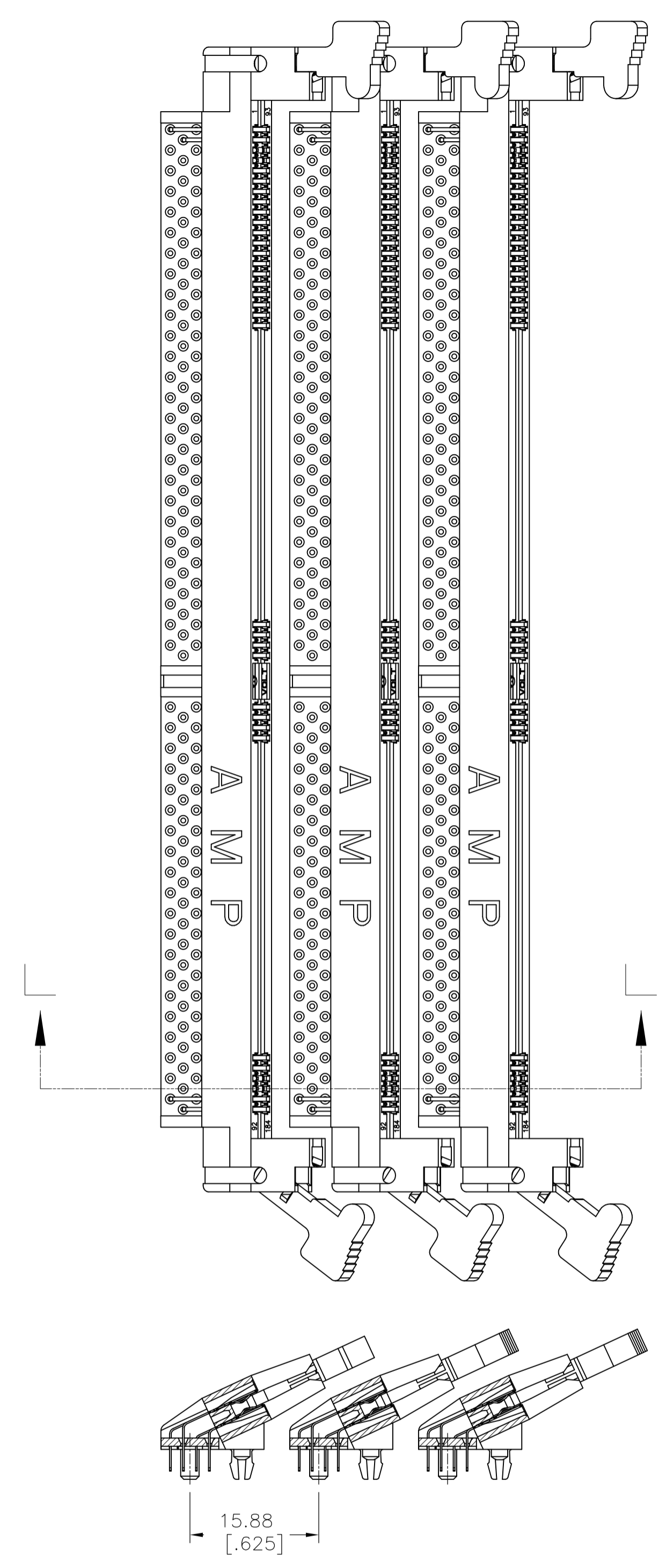


KEY POSITIONS



RECOMMENDED MODULE LAYOUT

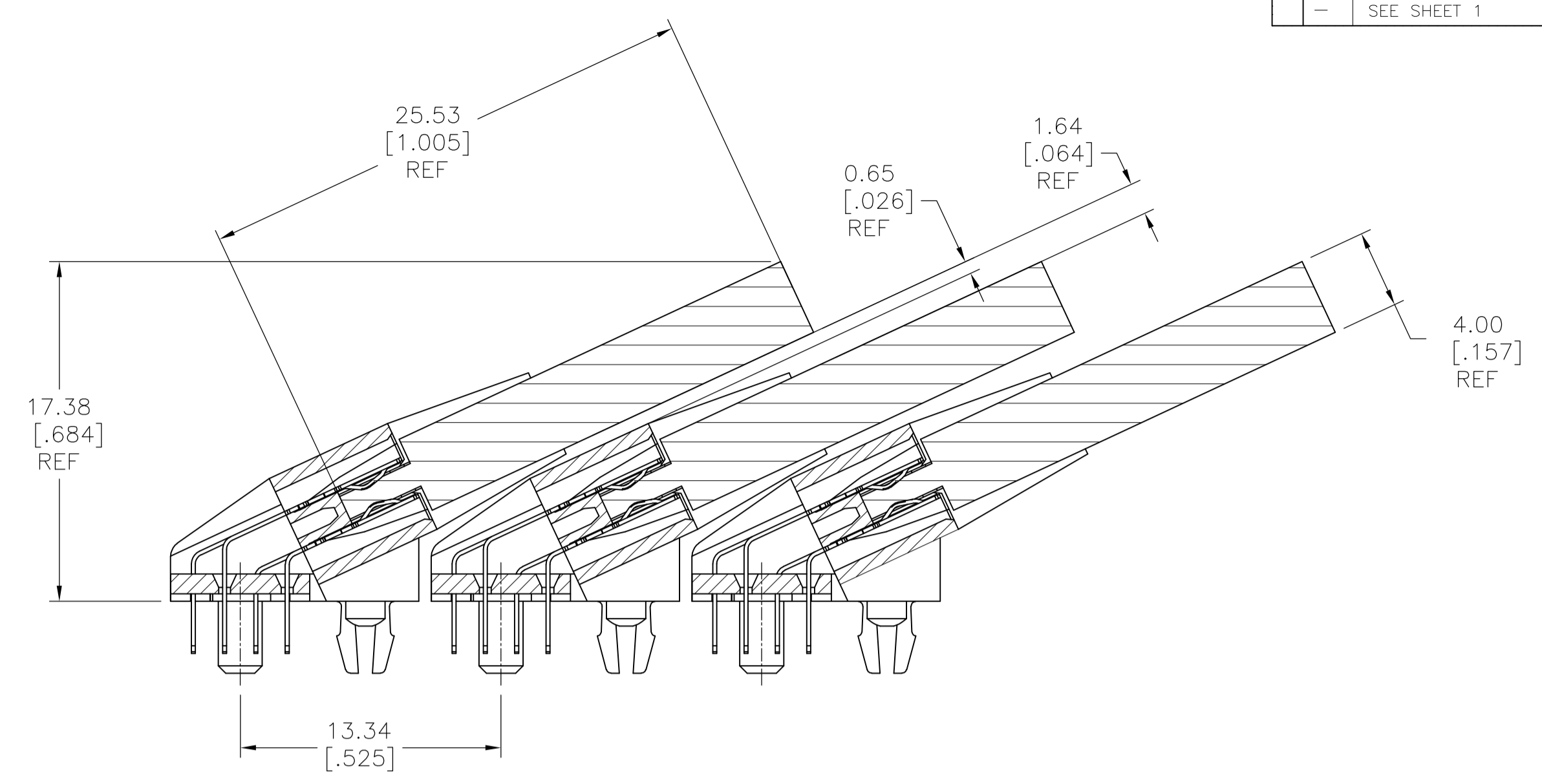
|  |           |                           |   |            |
|--|-----------|---------------------------|---|------------|
| THIS DRAWING IS A CONTROLLED DOCUMENT. |           | DN: S. WAITMAN 11OCT04    | Tyco Electronics Corporation<br>Harrisburg, Pa 17105-3608         |            |
| DIMENSIONS: mm                         |           | CHK: M. YFOMANS 11OCT04   | NAME: SOCKEY ASSEMBLY, 184 POS, DDR LOW PROFILE DIMM2P, LEAD FREE |            |
| TOLERANCES UNLESS OTHERWISE SPECIFIED: |           | APP'D: M. YFOMANS 11OCT04 | PRODUCT SPEC: -   |            |
| 0. PLC ± -                             |           | APPLICATION SPEC: -       |   |            |
| 1. PLC ± -                             |           | SIZE: A1                  |   |            |
| 2. PLC ± 0.13 [.005]                   |           | CAGE CODE: 5390402        |   |            |
| 3. PLC ± -                             |           | DRAWING NO: 00779         |   |            |
| 4. PLC ± -                             |           | SHEET 2 OF 3              |   |            |
| ANGLES ± -                             |           | REV A1                    |   |            |
| MATERIAL: 1                            | FINISH: 2 | WEIGHT: -                 | CUSTOMER DRAWING  | SCALE: 3:1 |



SECTION L-L  
SCALE 2:1

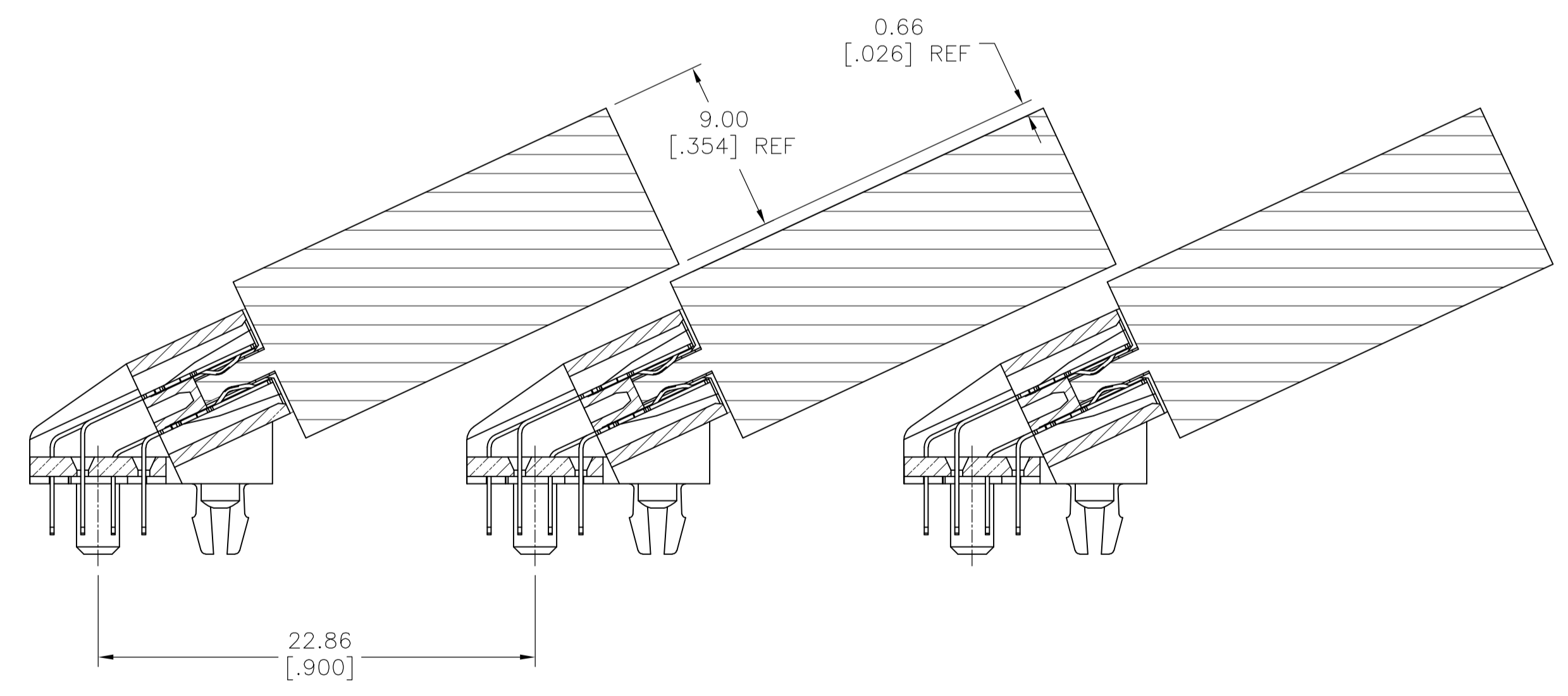
MINIMUM REPAIRABLE  
SOCKET TO SOCKET REPAIRING

WITH THE MODULES REMOVED SOCKETS ON 15.88[.625] OR GREATER SPACING CAN BE INDIVIDUALLY UNSOLDERED FROM THE BOARD AND REMOVED IF NECESSARY



MINIMUM SOCKET TO SOCKET SPACING

WITH A 4.00[.158] WIDE MODULE BOARD, A SOCKET TO SOCKET SPACING OF 13.34[.525] WILL LEAVE APPROXIMATELY 0.65[.026] OF CLEARANCE BETWEEN THE MODULE AND THE NEXT SOCKET BODY. THIS SPACING MAY OR MAY NOT BE SUITABLE DEPENDING ON YOUR MINIMUM GAP REQUIREMENTS.



POSSIBLE SOCKET TO SOCKET SPACING FOR 9MM MODULE

WITH A 9.00[.355] WIDE MODULE BOARD; A SOCKET TO SOCKET SPACING OF 22.86[.900] WILL LEAVE APPROXIMATELY 0.66[.026] CLEARANCE BETWEEN THE ADJACENT MODULES. THIS SPACING MAY OR MAY NOT BE SUITABLE DEPENDING ON YOUR MINIMUM GAP REQUIREMENTS.

|  |                     |                               |  |              |
|--|---------------------|-------------------------------|--|--------------|
| THIS DRAWING IS A CONTROLLED DOCUMENT. |                     | DN<br>S. WAITMAN<br>11OCT04   | Tyco Electronics Corporation<br>Harrisburg, Pa 17105-3608              |              |
| DIMENSIONS:                            |                     | CHK<br>M. YFOMANS<br>11OCT04  | NAME<br>SOCKET ASSEMBLY, 184 POS, DDR<br>LOW PROFILE DIMM2P, LEAD FREE |              |
| TOLERANCES UNLESS OTHERWISE SPECIFIED: |                     | APVD<br>M. YFOMANS<br>11OCT04 | PRODUCT SPEC   |              |
| mm                                     | 0. PLC ± -          | APPLICATION SPEC              | RESTRICTED TO  |              |
|  | 1. PLC ± -          | SIZE                          | A1   |              |
|  | 2. PLC ± 0.13[.005] | WEIGHT                        | 00779 C=5390402  |              |
|  | 3. PLC ± -          | CUSTOMER DRAWING              | SCALE 4:1  | SHEET 3 OF 3 |
|  | 4. PLC ± -          |                               |  | REV A1       |
|  | ANGLES ± -          |                               |  |              |
| MATERIAL                               | FINISH              |                               |  |              |

## X-ON Electronics

Largest Supplier of Electrical and Electronic Components

*Click to view similar products for [DIMM Connectors](#) category:*

*Click to view products by [TE Connectivity](#) manufacturer:*

Other Similar products are found below :

[1-1932649-2](#) [1-1761024-0](#) [2309411-5](#) [296409204002856+](#) [10116658-252ASLF](#) [5390471-1](#) [2309413-3](#) [78507-0061](#) [KIT-SODIMM-1X16GB/01](#) [10129206-0010013LF](#) [10086891-052TSLF](#) [10079192-11102LF](#) [10116658-152FSLF](#) [10129206-0011113LF](#) [1-2308107-0](#) [2013310-1](#) [2013289-1](#) [390111-1](#) [390112-1](#) [2309413-1](#) [2309407-1](#) [2309414-1](#) [10081530-12208LF](#) [151080-0001](#) [78726-1004](#) [10005639-11107LF](#) [10005639-11109LF](#) [10005639-12207LF](#) [10023061-10207LF](#) [10033853-252FSLF](#) [10033853-052ASLF](#) [10033853-052FSLF](#) [10033853-152FSLF](#) [10033854-052FSLF](#) [10034542-10002LF](#) [10037402-12207LF](#) [10081530-11107LF](#) [10081530-12207LF](#) [10081530-12218LF](#) [10124632-0030001LF](#) [10124806-01006LF](#) [10145891-0320J13LF](#) [10145226-0241N13LF](#) [59354-052FSLF](#) [59355-052FSLF](#) [DDR4288S0211TF](#) [DDR4288S0511H](#) [DDR4288S0511TF](#) [DDR4288V0123TF](#) [DDR4288V0213TF](#)