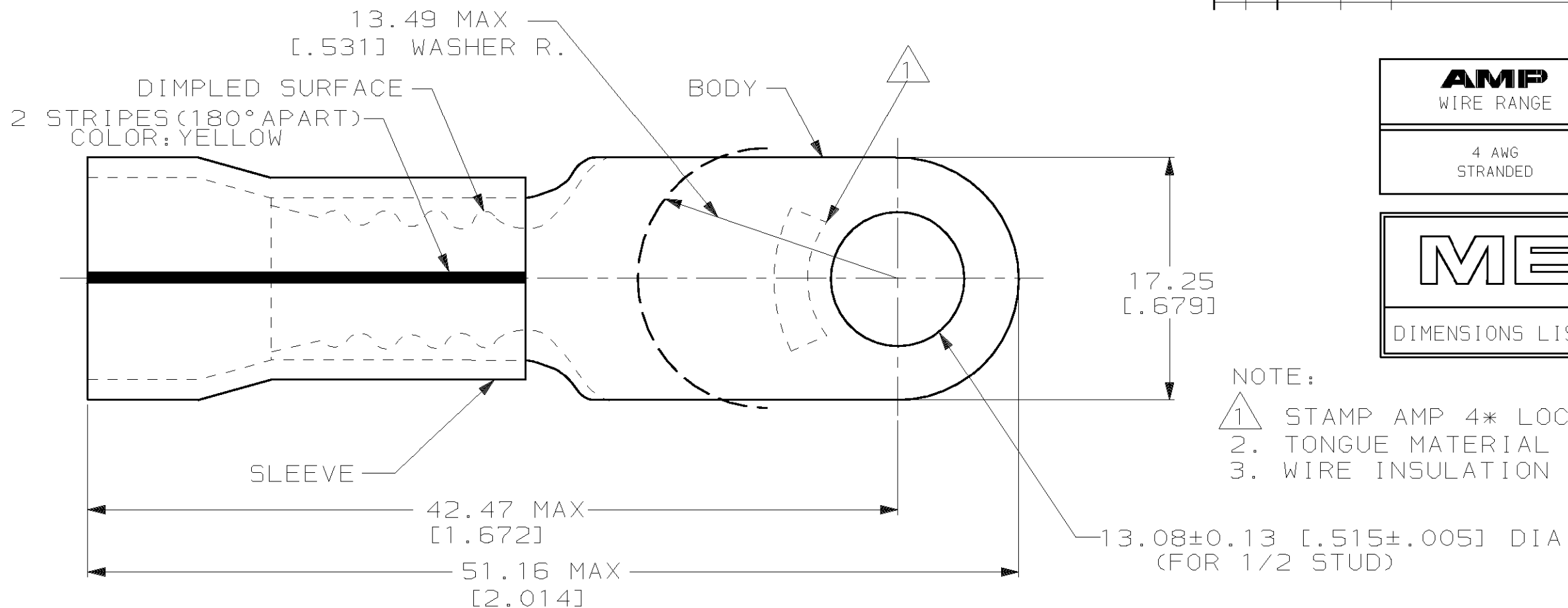


THIS DRAWING IS UNPUBLISHED. RELEASED FOR PUBLICATION, 19  
 © COPYRIGHT 19 BY AMP INCORPORATED. ALL INTERNATIONAL RIGHTS RESERVED.

LOC G	DIST 14	P	F	REVISIONS			DATE	APPD
				ZONE	LTR	DESCRIPTION		
					E	REV PER 0G3A-0363-01	10JUL01	JR/TM



**AMP**  
WIRE RANGE

4 AWG  
STRANDED

**METRIC**

DIMENSIONS LISTED IN mm [ INCHES ]

NOTE:  
 1. STAMP AMP 4\* LOCATE APPROX AS SHOWN  
 2. TONGUE MATERIAL THK 1.22±0.08 [.048±.003]  
 3. WIRE INSULATION DIA 13.08 [.515] MAX

100	LOOSE PC	53951-1
QTY	PACKAGE TYPE	PART NO

<b>AMP INCORPORATED CUSTOMER SERVICE SYSTEMS</b>	
FOR ADDITIONAL PRODUCT INFORMATION OR COPIES OF DRAWINGS AND TECHNICAL DOCUMENTS	PRODUCT INFORMATION CENTER 1-800-522-6752
FOR APPLICATION TOOLING INFORMATION	TOOLING ASSISTANCE CENTER 1-800-722-1111
FOR ORDER ENTRY	1-800-526-5142

MAX RECOMMENDED OPERATING  
TEMPERATURE:  
150°c

VOLTAGE RATING:  
600 V MAX

CIRCULAR MIL AREA:  
16.77-26.65mm<sup>2</sup> [33,100-52,600]  
STRANDED

DO NOT SCALE PRINT.  
UNLESS SPECIFIED  
DIMENSIONS IN mm [ INCHES ]  
TOLERANCES ON:  
2 PLC DEC ± 0.20 [.008]  
3 PLC DEC ± -  
ANGLES ± -

MATERIAL  
COPPER PER ASTM B-152  
PVF<sup>2</sup>, COLOR:NATURAL

FINISH  
TIN/LEAD (93-7) PLATE  
PER ASTM B545

<b>AMP</b> AMP Incorporated Harrisburg, PA 17105-3608		
NAME TERMINAL, RING TONGUE, PVF <sup>2</sup> PLASTI-GRIP, WIRE SIZE:4 AWG		
SIZE B	CAGE CODE 00779	DRAWING NO C-53951
SCALE NTS	SHEET 1 OF 1	

## X-ON Electronics

Largest Supplier of Electrical and Electronic Components

*Click to view similar products for [Terminals](#) category:*

*Click to view products by [TE Connectivity](#) manufacturer:*

Other Similar products are found below :

[00-054007-01074-6](#) [00-054007-70206-1](#) [00-054007-70210-8](#) [00-054007-70217-7](#) [00-054007-70226-9](#) [00-054007-70228-3](#) [00-054007-70248-1](#) [00-054007-70256-6](#) [00-054007-70301-3](#) [00-054007-70316-7](#) [0-0320562-0](#) [00-054007-49560-4](#) [00-054007-70209-2](#) [00-054007-70225-2](#) [00-054007-70227-6](#) [00-054007-70231-3](#) [00-054007-70241-2](#) [00-054007-70242-9](#) [00-054007-70244-3](#) [00-054007-70246-7](#) [00-054007-70263-4](#) [00-054007-70288-7](#) [00-054007-70290-0](#) [00-054007-70300-6](#) [00-054007-70304-4](#) [01-2065-1-0216](#) [01-2900-1-04412](#) [00581P0075](#) [600TS-10](#) [60205-1](#) [604200-1](#) [605601-1](#) [60598-1-CUT-TAPE](#) [61314-6-C](#) [61810-3](#) [61-S](#) [61-SN](#) [626-0194](#) [62-NBM-A](#) [62-SN](#) [62-SP](#) [63-S](#) [640179-1](#) [M55155/059I03](#) [M55155/079C01](#) [M55155/099H02](#) [M55155/109H01](#) [M55155/109H02](#) [M55155/12XH05](#) [M55155/16XH02](#)