



Application Tooling > Portable Crimp Tools



TE Certification: **Cannot be Certified**

Power Technology Type: **Manual**

Tooling Type: **Die Assembly**

Features

Other

TE Certification	Cannot be Certified
Power Technology Type	Manual
Tooling Type	Die Assembly

Product Compliance

[For compliance documentation, visit the product page on TE.com>](#)

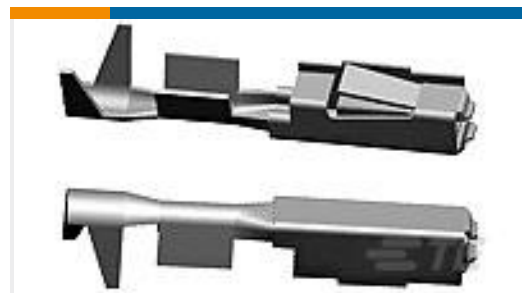
EU RoHS Directive 2011/65/EU	Compliant
EU ELV Directive 2000/53/EC	Out of Scope
China RoHS 2 Directive MIIT Order No 32, 2016	No Restricted Materials Above Threshold
EU REACH Regulation (EC) No. 1907/2006	Current ECHA Candidate List: JAN 2021 (211) Candidate List Declared Against: JAN 2018 (181) SVHC > Threshold: Not Yet Reviewed
Halogen Content	Low Halogen - Br, Cl, F, I < 900 ppm per homogenous material. Also BFR/CFR/PVC Free
Solder Process Capability	Not applicable for solder process capability

Product Compliance Disclaimer

This information is provided based on reasonable inquiry of our suppliers and represents our current actual knowledge based on the information they provided. This information is subject to change. The part numbers that TE has identified as EU RoHS compliant have a maximum concentration of 0.1% by weight in homogenous materials for lead, hexavalent chromium, mercury, PBB, PBDE, DBP, BBP, DEHP, DIBP, and 0.01% for cadmium, or qualify for an exemption to these limits as defined in the Annexes of Directive 2011/65/EU (RoHS2). Finished electrical and electronic equipment products

will be CE marked as required by Directive 2011/65/EU. Components may not be CE marked. Additionally, the part numbers that TE has identified as EU ELV compliant have a maximum concentration of 0.1% by weight in homogenous materials for lead, hexavalent chromium, and mercury, and 0.01% for cadmium, or qualify for an exemption to these limits as defined in the Annexes of Directive 2000/53/EC (ELV). Regarding the REACH Regulation, the information TE provides on SVHC in articles for this part number is based on the latest European Chemicals Agency (ECHA) 'Guidance on requirements for substances in articles' posted at this URL: <https://echa.europa.eu/guidance-documents/guidance-on-reach>

Compatible Parts



TE Part # 968680-2
MPQ2,8 Sn rec LL EDS 0,35-0,5



TE Part # 929158-2
MPQ BU-KONTAKT EDS

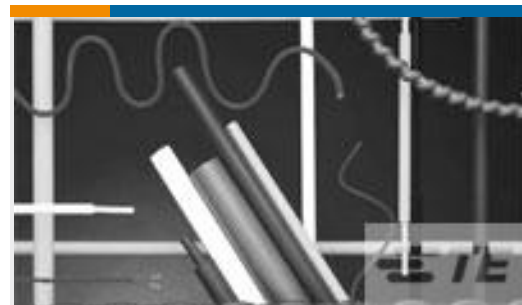


TE Part # 929164-2
MPQ STIFTKONT EDS



TE Part # 929164-5
MPQ STIFTKONT EDS

Customers Also Bought



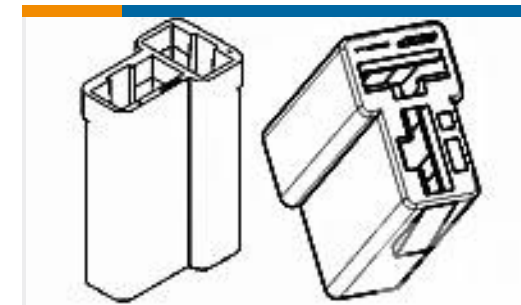
TE Part #2891074002
CGPT-9.5/4.8-1-SP



TE Part #1-925366-9
MOD 4 REC.HSG 1X19P



TE Part #1583690-1
CRIMPER, INSULATION "O" (.220")



TE Part #180907-3
FF 250 REC HSG 2P NYLON BLUE



TE Part #2150088-2
OCEAN-2.0-APPLICATOR-E-110F180FA



TE Part #2151389-2
OC-AT-S-FA-120F170OV-001-0213



TE Part #2151576-2
OCEAN_2.0_Applicator-S-100F2000



TE Part #346101-3
DIN. RING TONGUE TPPHBZ



TE Part #5-1579028-5
EXTRACTION TOOL



TE Part #CQ59573001
ACW0219-0.35-49(NS)

Documents

[Datasheets & Catalog Pages](#)



[1-1773865-2_1015_Commercial Manual Hand Tools](#)

English

[Crimp Term Whitepaper-Use the Right Tool 1-1773953-1](#)

English

[CRIMPING WHERE FORM MEETS FUNCTION](#)

English

[Bottoming Dies](#)

English

[Instruction Sheets](#)

[Instruction Sheet \(U.S.\)](#)

English

X-ON Electronics

Largest Supplier of Electrical and Electronic Components

Click to view similar products for [Hand Tools](#) category:

Click to view products by [TE Connectivity](#) manufacturer:

Other Similar products are found below :

[58284-1](#) [662908-1](#) [68764-0001](#) [690619-6](#) [D20419-189](#) [7-354778-7](#) [768531-1](#) [810131](#) [81541-16](#) [821903-5](#) [854183-1](#) [854358-1](#) [992258-1](#)
[1-21046-3](#) [121073-0047](#) [1-22145-3](#) [1-22278-2](#) [1-24954-2](#) [125529-5](#) [1-305579-8](#) [1320846-1](#) [1338618-1](#) [1338968-2](#) [1-354779-0](#) [1-354779-2](#)
[1-354779-4](#) [1424443-1](#) [1424266-1](#) [1424289-1](#) [1424444-1](#) [MS24256A16](#) [1-525442-0](#) [1-525441-1](#) [1532195-2](#) [1538773-2](#) [1-692134-3](#) [HT-](#)
[920A-124-HTELE-RPL-KIT](#) [1976923-1](#) [1976969-1](#) [2063794-1](#) [2063795-1](#) [2-21002-1](#) [2-21002-4](#) [2-21002-7](#) [2-21002-9](#) [2-21004-0](#) [229707-1](#)
[911737-2](#) [91348-2](#) [925980-R](#)