

539783-1 ✓ ACTIVE

AMP

TE Internal #: 539783-1

Portable Crimp Tools, Removable/Interchangeable, Manual, Die Assembly

[View on TE.com >](#)



Application Tooling > Portable Crimp Tools



Die Sets Type: **Removable/Interchangeable**

TE Certification: **Cannot be Certified**

Power Technology Type: **Manual**

Tooling Type: **Die Assembly**

Features

Other

Crimp Form-Wire Barrel Type	Open Barrel - F Crimp
Die Sets Type	Removable/Interchangeable
TE Certification	Cannot be Certified
Power Technology Type	Manual
Tooling Type	Die Assembly

Product Compliance

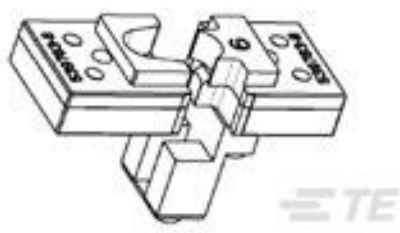
[For compliance documentation, visit the product page on TE.com>](#)

EU RoHS Directive 2011/65/EU	Compliant
EU ELV Directive 2000/53/EC	Out of Scope
China RoHS 2 Directive MIIT Order No 32, 2016	No Restricted Materials Above Threshold
EU REACH Regulation (EC) No. 1907/2006	Current ECHA Candidate List: JAN 2021 (211) Candidate List Declared Against: JAN 2021 (211) Does not contain REACH SVHC
Halogen Content	Low Halogen - Br, Cl, F, I < 900 ppm per homogenous material. Also BFR/CFR/PVC Free
Solder Process Capability	Not applicable for solder process capability

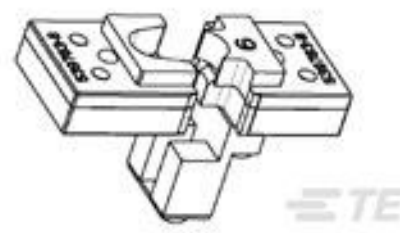
Product Compliance Disclaimer

This information is provided based on reasonable inquiry of our suppliers and represents our current actual knowledge based on the information they provided. This information is subject to change. The part numbers that TE has identified as EU RoHS compliant have a maximum concentration of 0.1% by weight in homogenous materials for lead, hexavalent chromium, mercury, PBB, PBDE, DBP, BBP, DEHP, DIBP, and 0.01% for cadmium, or qualify for an exemption to these limits as defined in the Annexes of Directive 2011/65/EU (RoHS2). Finished electrical and electronic equipment products will be CE marked as required by Directive 2011/65/EU. Components may not be CE marked. Additionally, the part numbers that TE has identified as EU ELV compliant have a maximum concentration of 0.1% by weight in homogenous materials for lead, hexavalent chromium, and mercury, and 0.01% for cadmium, or qualify for an exemption to these limits as defined in the Annexes of Directive 2000/53/EC (ELV). Regarding the REACH Regulation, the information TE provides on SVHC in articles for this part number is based on the latest European Chemicals Agency (ECHA) 'Guidance on requirements for substances in articles' posted at this URL: <https://echa.europa.eu/guidance-documents/guidance-on-reach>

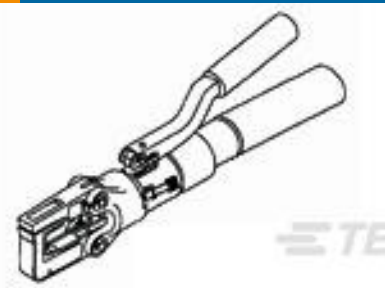
Compatible Parts



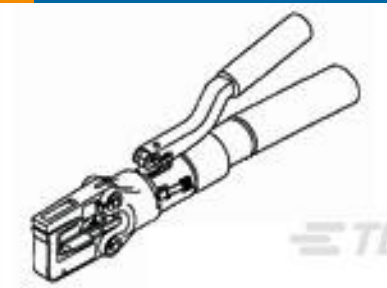
TE Part # 539783-8
DIE MCP 9,5 6MM EDS



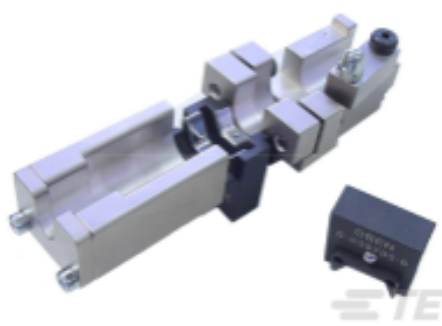
TE Part # 539783-9
DIE MCP9,5 10MM EDS



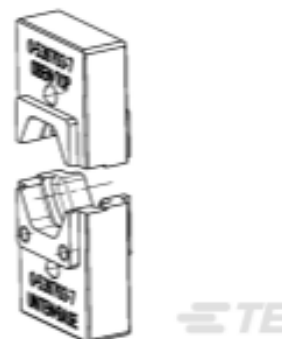
TE Part # 539783-5
DIE MCP 9,5 6MM



TE Part # 539783-6
DIE MCP 9,5 10MM



TE Part # 1-528040-1
DIE SET W. LOCATOR F. HV SHIEL



TE Part # 539793-7
CRIMP DIE SET HV 35mm? SHIELDED
BRAID

TE Part # 1-929150-1
AMP MCP9.5, CONTACT, (LP)

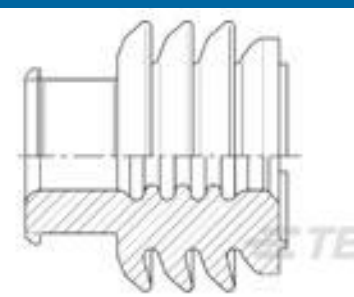
Customers Also Bought



TE Part #1564562-5
SLIDE, TAB HSG GROUP D



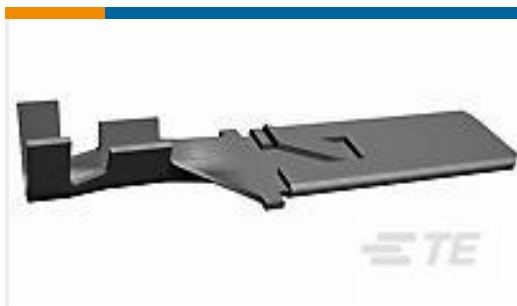
TE Part #1-967590-1
AMP MCP, RECEPTACLE AND TAB



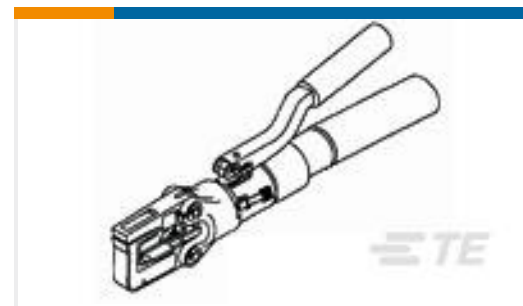
TE Part #1355437-1
MCP9,5 EINZELDICHTG



TE Part #142185-2
MIC CONTACT RECEPTACLE



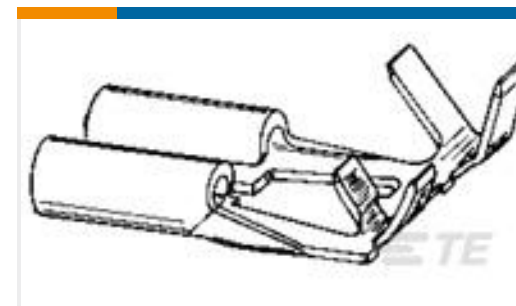
TE Part #963951-1
FF 250 TAB 0.5-1MM2 0.38X33.5 PHBR



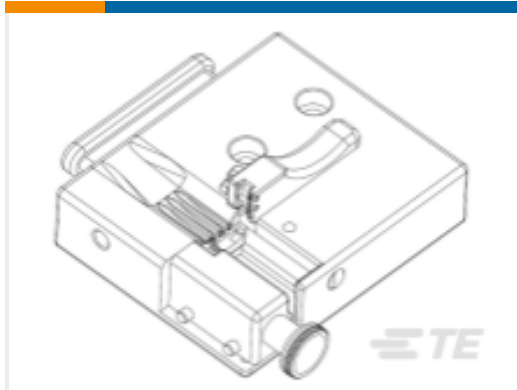
TE Part #1-539783-0
DIE MCP9,5 16MM EDS



TE Part #1377172-4
SMP 0-0130017-0



TE Part #180453-6
FF 312 REC 1-2.5MM2 TPPB



TE Part #2-1579028-3
MOUNTING TOOL HPF-HOUSING

Documents

Product Drawings

HZ FUER HOCHSTROMKO

German

Datasheets & Catalog Pages

Crimp Term Whitepaper-Use the Right Tool 1-1773953-1

English

CRIMPING WHERE FORM MEETS FUNCTION

English

Bottoming Dies

English

X-ON Electronics

Largest Supplier of Electrical and Electronic Components

Click to view similar products for [Hand Tools](#) category:

Click to view products by [TE Connectivity](#) manufacturer:

Other Similar products are found below :

[58284-1](#) [662908-1](#) [68764-0001](#) [690619-6](#) [7-354778-7](#) [768531-1](#) [821903-5](#) [822253-1](#) [854183-1](#) [854358-1](#) [992258-1](#) [1-21046-3](#) [1-22278-0](#)
[1-22278-2](#) [1-24954-2](#) [125529-5](#) [126513-1](#) [1320846-1](#) [1338618-1](#) [1338968-2](#) [1-354779-0](#) [1-354779-2](#) [1-354779-4](#) [1424443-1](#) [1424289-1](#)
[1424444-1](#) [MS24256A16](#) [1-525442-0](#) [1532195-2](#) [1538773-2](#) [1-59681-8](#) [1-59907-5](#) [1-692134-3](#) [1725760-1](#) [HT-920A-124-HTELE-RPL-KIT](#)
[1976923-1](#) [1976969-1](#) [2063794-1](#) [2063795-1](#) [2-21002-1](#) [2-21002-3](#) [2-21002-4](#) [2-21002-7](#) [2-21002-9](#) [2-21004-0](#) [229399-2](#) [229707-1](#)
[911737-2](#) [2598-5027-54](#) [91348-2](#)