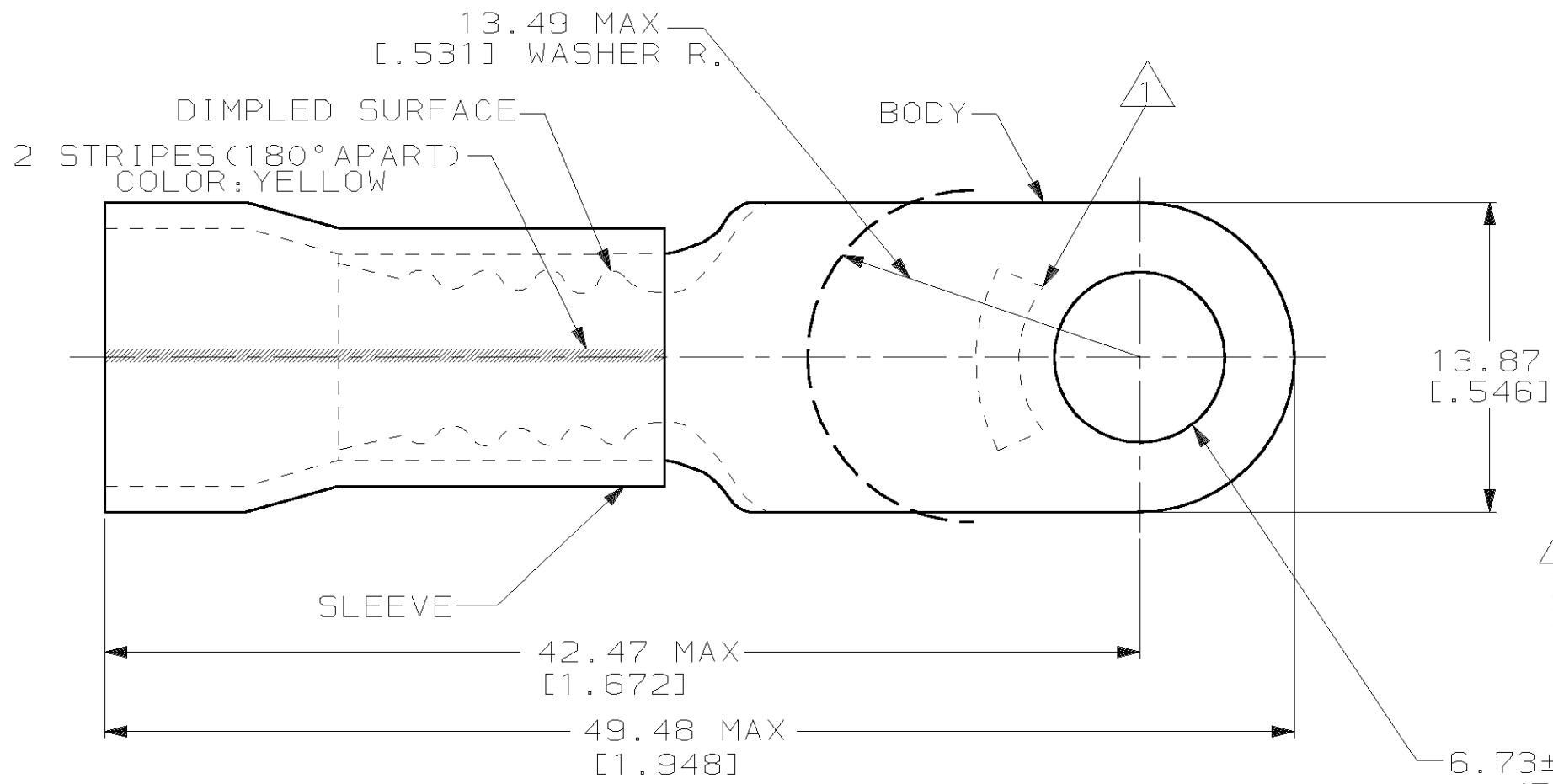


THIS DRAWING IS UNPUBLISHED. RELEASED FOR PUBLICATION, 19 .
 © COPYRIGHT 19 BY AMP INCORPORATED. ALL INTERNATIONAL RIGHTS RESERVED.

| | | | | | | | | |
|-----|------|---|---|-----------|-----|----------------------|---------|-------|
| LOC | DIST | P | F | REVISIONS | | | DATE | APPD |
| G | 14 | | | ZONE | LTR | DESCRIPTION | | |
| | | | | | F | REV PER 0G3A-0363-01 | 10JUL01 | JR/TM |



AMP
WIRE RANGE

4 AWG
STRANDED

METRIC

DIMENSIONS LISTED IN mm [INCHES]

NOTE:

1. STAMP AMP 4* LOCATE APPROX AS SHOWN
2. TONGUE MATERIAL THK 1.22±0.08 [.048±.003]
3. WIRE INSULATION DIA 13.08 [.515] MAX

| | | |
|-----|--------------|---------|
| 100 | LOOSE PC | 53980-1 |
| QTY | PACKAGE TYPE | PART NO |

| | |
|---|--|
| AMP INCORPORATED CUSTOMER SERVICE SYSTEMS | |
| FOR ADDITIONAL PRODUCT INFORMATION OR COPIES OF DRAWINGS AND TECHNICAL DOCUMENTS | PRODUCT INFORMATION CENTER 1-800-522-6752 |
| FOR APPLICATION TOOLING INFORMATION | TOOLING ASSISTANCE CENTER 1-800-722-1111 |
| FOR ORDER ENTRY | 1-800-526-5142 |

MAX RECOMMENDED OPERATING TEMPERATURE:
150°c

VOLTAGE RATING:
600 V MAX

CIRCULAR MIL AREA:
16.77-26.65mm² [33, 100-52, 600]
STRANDED

DO NOT SCALE PRINT.
UNLESS SPECIFIED
DIMENSIONS IN mm [INCHES]

TOLERANCES ON:
2 PLC DEC ± 0.20 [.008]
3 PLC DEC ± -
ANGLES ± -

MATERIAL
COPPER PER ASTM B-152
PVF², COLOR:NATURAL

FINISH
TIN/LEAD (93-7) PLATE
ASTM B545

| | |
|------------------|-------------------------|
| DR | 10-7-93 S.S. GOULDEN |
| CHK | 10-7-93 R. HERSEY |
| APPD | 10-7-93 B. BARE |
| APPD | 10-7-93 M. ELLIS |
| PRODUCT SPEC | NOT AVAILABLE |
| APPLICATION SPEC | NOT AVAILABLE |
| WEIGHT | - |

| | | |
|--|-----------|------------|
| AMP AMP Incorporated Harrisburg, PA 17105-3608 | | |
| NAME TERMINAL, RING TONGUE, PVF ² , PLASTI-GRIP, WIRE SIZE: 4 AWG | | |
| SIZE | CAGE CODE | DRAWING NO |
| B | 00779 | C-53980 |
| SCALE | NTS | SHEET |
| | | 1 OF 1 |

X-ON Electronics

Largest Supplier of Electrical and Electronic Components

Click to view similar products for [Terminals](#) category:

Click to view products by [TE Connectivity](#) manufacturer:

Other Similar products are found below :

[00-054007-01074-6](#) [00-054007-70206-1](#) [00-054007-70210-8](#) [00-054007-70217-7](#) [00-054007-70226-9](#) [00-054007-70228-3](#) [00-054007-70248-1](#) [00-054007-70256-6](#) [00-054007-70301-3](#) [00-054007-70316-7](#) [00-054007-49560-4](#) [00-054007-70209-2](#) [00-054007-70225-2](#) [00-054007-70227-6](#) [00-054007-70231-3](#) [00-054007-70241-2](#) [00-054007-70242-9](#) [00-054007-70244-3](#) [00-054007-70246-7](#) [00-054007-70263-4](#) [00-054007-70288-7](#) [00-054007-70290-0](#) [00-054007-70300-6](#) [00-054007-70304-4](#) [01-2065-1-0216](#) [01-2900-1-04412](#) [00581P0075](#) [600TS-10](#) [60205-1](#) [604200-1](#) [605601-1](#) [60598-1-CUT-TAPE](#) [61314-6-C](#) [61810-3](#) [61-S](#) [61-SN](#) [626-0194](#) [62-NBM-A](#) [62-SN](#) [62-SP](#) [63-S](#) [640179-1](#) [M55155/059I03](#) [M55155/079C01](#) [M55155/099H02](#) [M55155/109H01](#) [M55155/109H02](#) [M55155/12XH05](#) [M55155/16XH02](#) [M55155/29-5S](#)