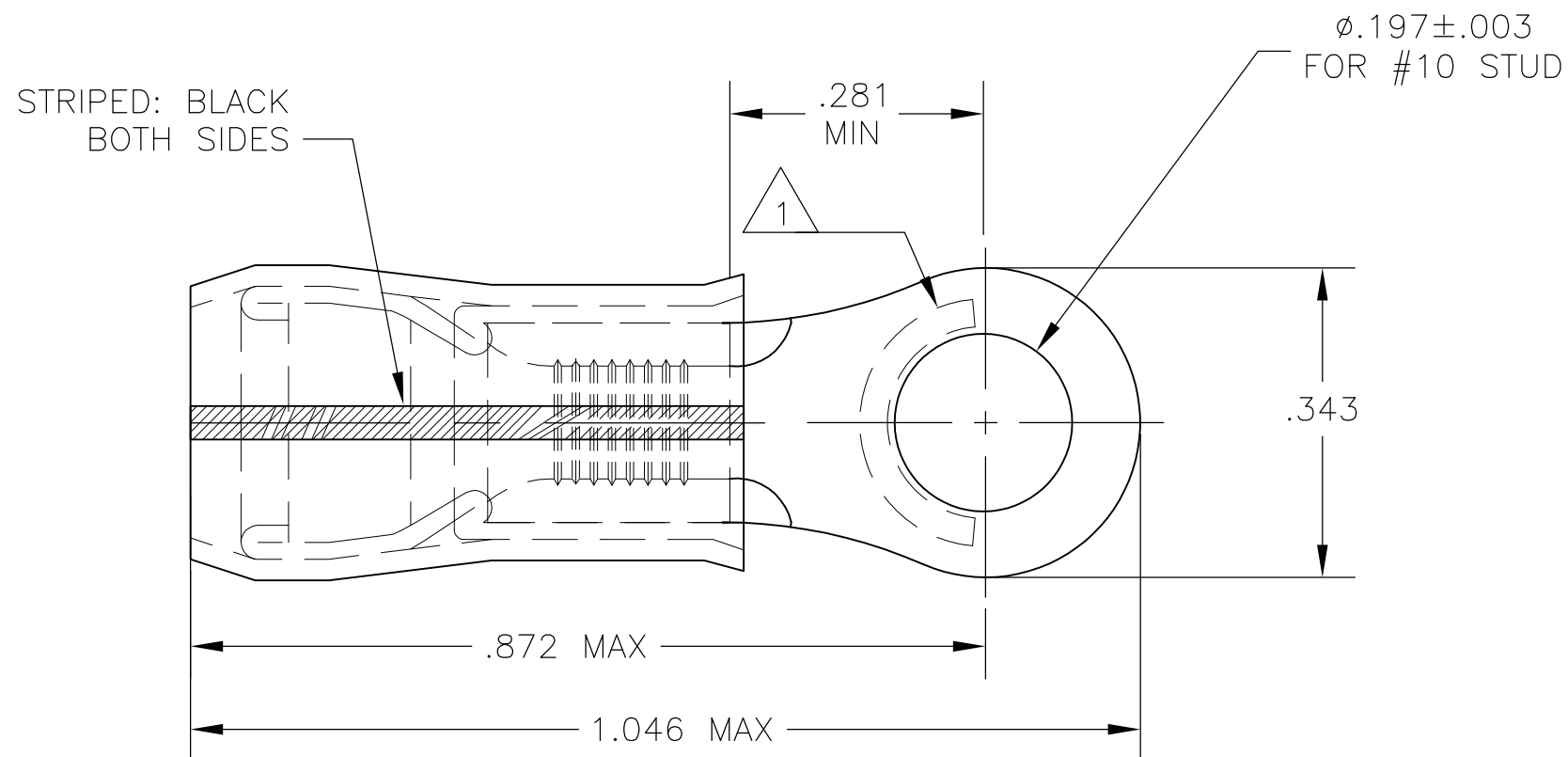


THIS DRAWING IS UNPUBLISHED. RELEASED FOR PUBLICATION  
 © COPYRIGHT - By - ALL RIGHTS RESERVED.

LOC	DIST	REVISIONS			
P	LTR	DESCRIPTION	DATE	DWN	APVD
G	14	C2	REVISED PER ECO-14-015178	09OCT2014	NK DR



- 1 STAMP "AMP 16-14 HD\*" LOCATED APPROX AS SHOWN.
- 2 TONGUE MATERIAL THK IS .050 MAX
- 3 FOR .230 MAX WIRE INSULATION DIA.

QTY	PACKAGE TYPE	MATERIAL & FINISH	PART NUMBER
PRELIMINARY	2500	TAPE & REEL	2-53983-1
500	LOOSE PIECE	BODY & SLEEVE: COPPER PER ASTM B152 TIN LEAD (93-7) PLATE PER ASTM B545 (3% MIN LEAD CONTENT)  INSULATION: PVF2, COLOR - NATURAL	53983-1

THIS DRAWING IS A CONTROLLED DOCUMENT.		DWN jr_ruth 14SEP04	<b>STE</b> TE Connectivity	
DIMENSIONS: INCHES		CHK T MICHELUTTI 14SEP04		
TOLERANCES UNLESS OTHERWISE SPECIFIED:		APVD T MICHELUTTI 14SEP04	NAME	
0 PLC ± - 1 PLC ± - 2 PLC ± - 3 PLC ± .008 4 PLC ± - ANGLES ± 5°		PRODUCT SPEC	WIRE TERMINAL	
MATERIAL		APPLICATION SPEC	PVF2 - PIDG - RING TONGUE	
FINISH		WEIGHT	WIRE SIZE : 16-14 HD	
-		-	SIZE	RESTRICTED TO
		CUSTOMER DRAWING	A300779	-
		SCALE	DRAWING NO	
		5:1	G-53983	
		SHEET	REV	
		1 OF 1	C2	

## X-ON Electronics

Largest Supplier of Electrical and Electronic Components

*Click to view similar products for [Terminals](#) category:*

*Click to view products by [TE Connectivity](#) manufacturer:*

Other Similar products are found below :

[00-054007-01074-6](#) [00-054007-70206-1](#) [00-054007-70210-8](#) [00-054007-70217-7](#) [00-054007-70226-9](#) [00-054007-70228-3](#) [00-054007-70248-1](#) [00-054007-70256-6](#) [00-054007-70301-3](#) [00-054007-70316-7](#) [00-054007-49560-4](#) [00-054007-70209-2](#) [00-054007-70225-2](#) [00-054007-70227-6](#) [00-054007-70231-3](#) [00-054007-70241-2](#) [00-054007-70242-9](#) [00-054007-70244-3](#) [00-054007-70246-7](#) [00-054007-70263-4](#) [00-054007-70288-7](#) [00-054007-70290-0](#) [00-054007-70300-6](#) [00-054007-70304-4](#) [01-2065-1-0216](#) [01-2900-1-04412](#) [00581P0075](#) [600TS-10](#) [60205-1](#) [604200-1](#) [605601-1](#) [60598-1-CUT-TAPE](#) [61314-6-C](#) [61810-3](#) [61-S](#) [61-SN](#) [626-0194](#) [62-NBM-A](#) [62-SN](#) [62-SP](#) [63-S](#) [640179-1](#) [M55155/059I03](#) [M55155/079C01](#) [M55155/099H02](#) [M55155/109H01](#) [M55155/109H02](#) [M55155/12XH05](#) [M55155/16XH02](#) [M55155/29-5S](#)