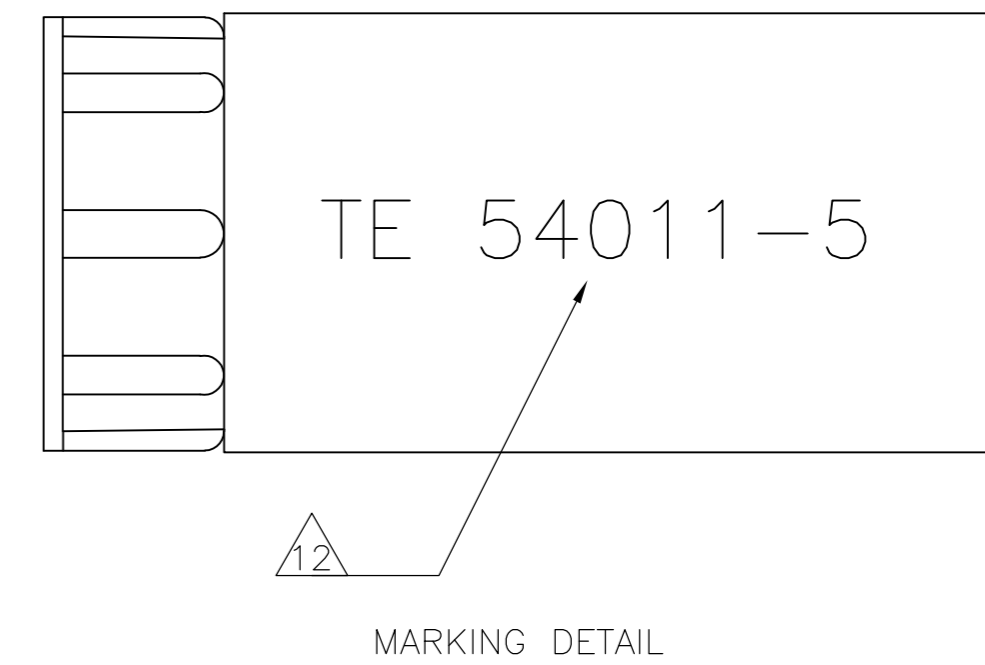
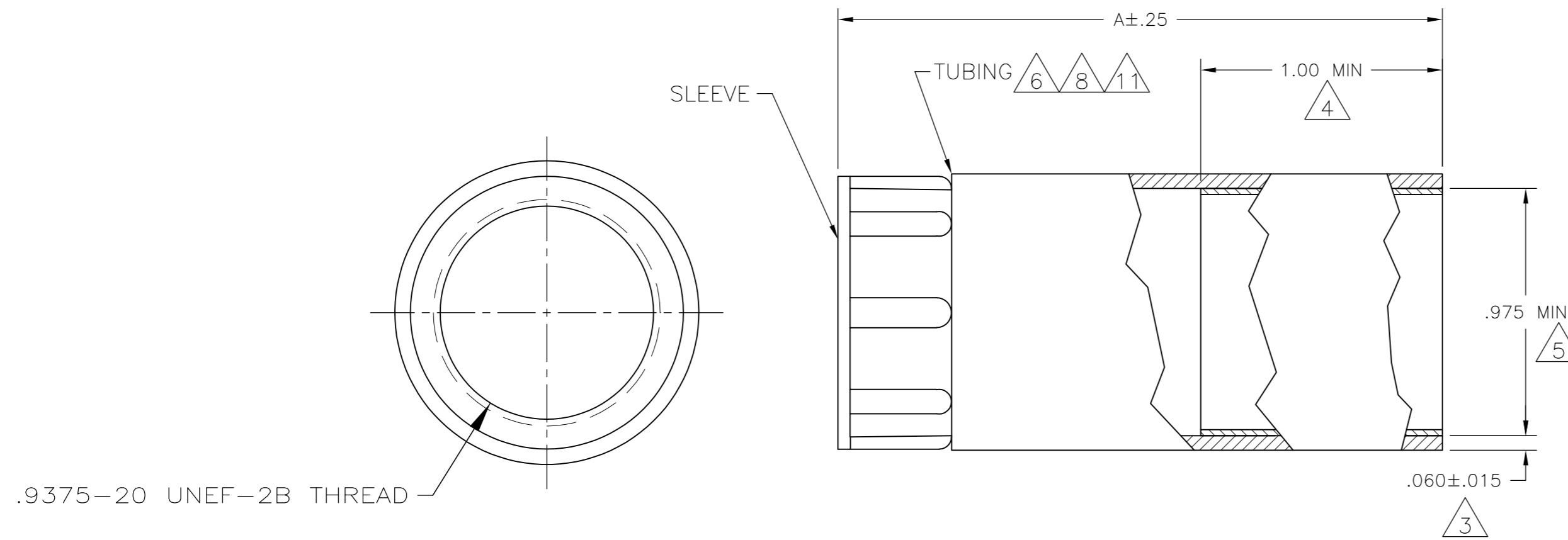


THIS DRAWING IS UNPUBLISHED. RELEASED FOR PUBLICATION
 © COPYRIGHT - By - ALL RIGHTS RESERVED.

REVISIONS				
P	LTR	DESCRIPTION	DATE	APVD
AB2		REVISED PER ECO-14-008433	05JUN2014	NK MZ
AC		REVISED PER ECO-17-000037	10MAR2017	RS MZ



- 1 POLYOLEFIN, BLACK.
- 2 NYLON, BLACK.
- 3 NOMINAL WALL THICKNESS, EXPANDED.
- 4 LENGTH OF SEALANT.
- 5 EXPANDED INSIDE DIAMETER.
- 6 9.52[.375] MAXIMUM RECOVERED INSIDE DIAMETER.
- 7 ASSEMBLY WILL PASS 0.0703 KG PER SQ CENTIMETER [ONE POUND PER SQ IN.] WATER PRESSURE TEST.
- 8 121°C [250°F] SHRINK TEMPERATURE.
- 9 -55°C TO 110°C [-67°F TO 230°F] OPERATING TEMPERATURE.
- 10 THIS PART WILL ACCOMMODATE $\phi 10.16 - \phi 22.22$ [$\phi 400 - \phi .875$] CABLE RANGE.
- 11 ACTUAL SHAPE MAY VARY DUE TO PROCESS VARIANCE.
- 12 SEE P/N CHART FOR MARKING. WHITE CHARACTERS .150 MIN HIGH AND LOCATED ON THE OUTSIDE SURFACE OF THE TUBING.
- 13 OBSOLETE PART.

TE 54011-5	2.50	13 54011-5
NONE	4.00	54011-4
NONE	3.25	54011-3
NONE	2.50	54011-1
MARKING	A	PART NUMBER

THIS DRAWING IS A CONTROLLED DOCUMENT.		DWN C.REIFSNYDER 10 APR 96	TE TE Connectivity	
DIMENSIONS: INCHES		CHK R.STONE 15 APR 95		
TOLERANCES UNLESS OTHERWISE SPECIFIED:		APVD T.A.WETZEL 03 MAY 96	NAME STRAIN RELIEF ASSY, SHELL SIZE 17, CPC	
0 PLC ± - 1 PLC ± - 2 PLC ± - 3 PLC ± - 4 PLC ± - ANGLES ± -		PRODUCT SPEC -	SIZE A2	
MATERIAL TUBING: 1 SLEEVE: 2		FINISH -	CAGE CODE 00779	DRAWING NO 54011
		WEIGHT -	RESTRICTED TO -	SCALE 2:1
		CUSTOMER DRAWING	SHEET 1 of 1	REV AC

X-ON Electronics

Largest Supplier of Electrical and Electronic Components

Click to view similar products for [Standard Circular Connector](#) category:

Click to view products by [TE Connectivity](#) manufacturer:

Other Similar products are found below :

[5M2530B10P](#) [600259N006](#) [600273N007](#) [6134-336-13149](#) [6134-337-11149](#) [6134-337-2390](#) [6134-341-17149](#) [6280-4SG-516](#) [6280-7SG-3DC6290](#) [6291A](#) [66200A-10](#) [680-SMG](#) [681-PMG](#) [CXS3102A14S2P](#) [CXS3102A181S](#) [7251-5SG-300](#) [7271-6SG-300](#) [7282-3PG-300-CH3](#) [75-474618-01S](#) [75-474618-04P](#) [75-474618-04S](#) [799539-000](#) [MI8-SE](#) [805-005-07NF11-19PC](#) [805-005-07NF15-7PA](#) [8280-4PG-516](#) [8280-7PG-519](#) [8282-5PG-519](#) [836783-1](#) [MP-4102-25P-C](#) [862256-1](#) [864019-2](#) [866857-1](#) [867865-1](#) [PT01SP-14-18P](#) [PT08P-14-5S](#) [PTSF06SE-14-12S120-1833-000](#) [QCM019PC2DC012B](#) [1-2069279-1](#) [121583-0217](#) [121667-0020](#) [129591AU](#) [1000B BULK](#) [RD10A16-19-P6CS051/1](#)
[RD10A20-31-P8CS051/1](#) [RD16A14-12-S6CS051/2](#) [1301240290](#) [1301240347](#) [1301860202](#)