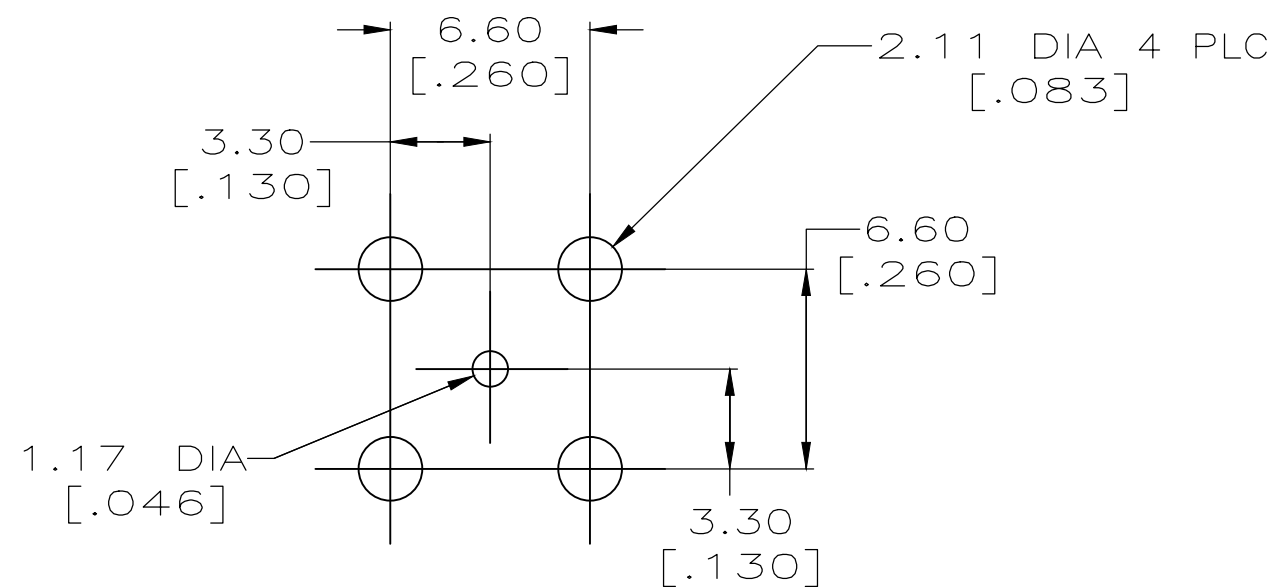
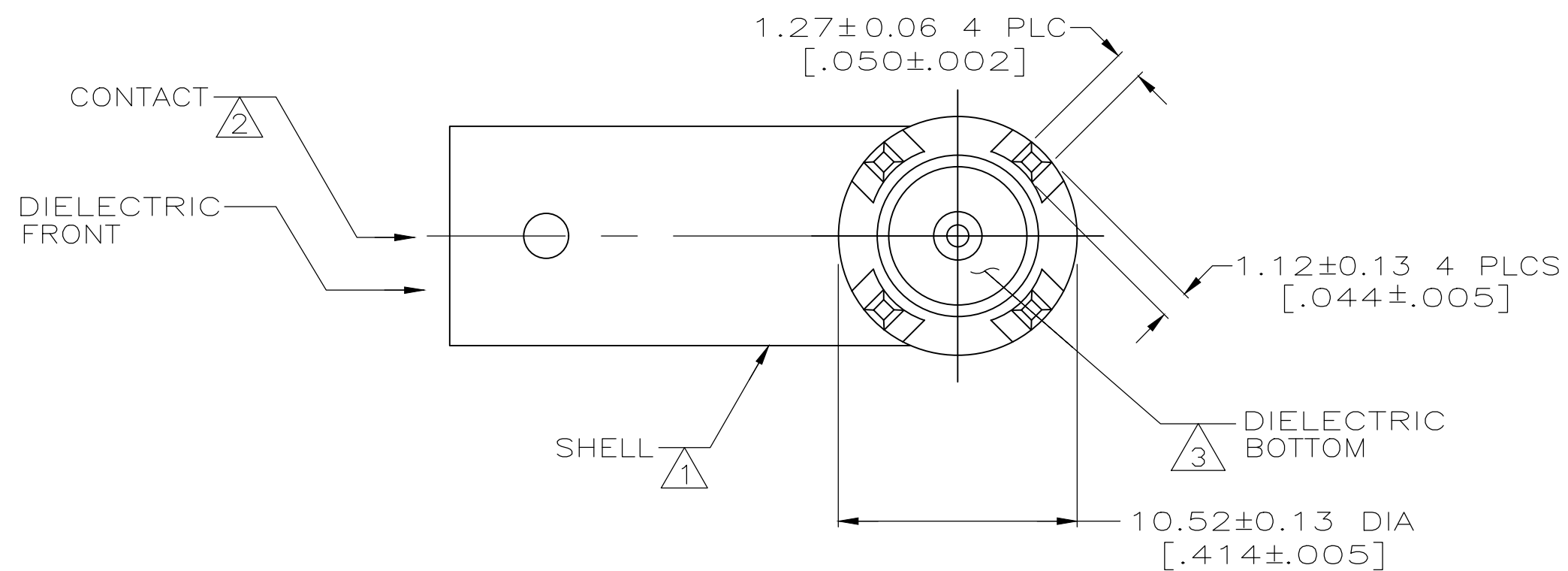
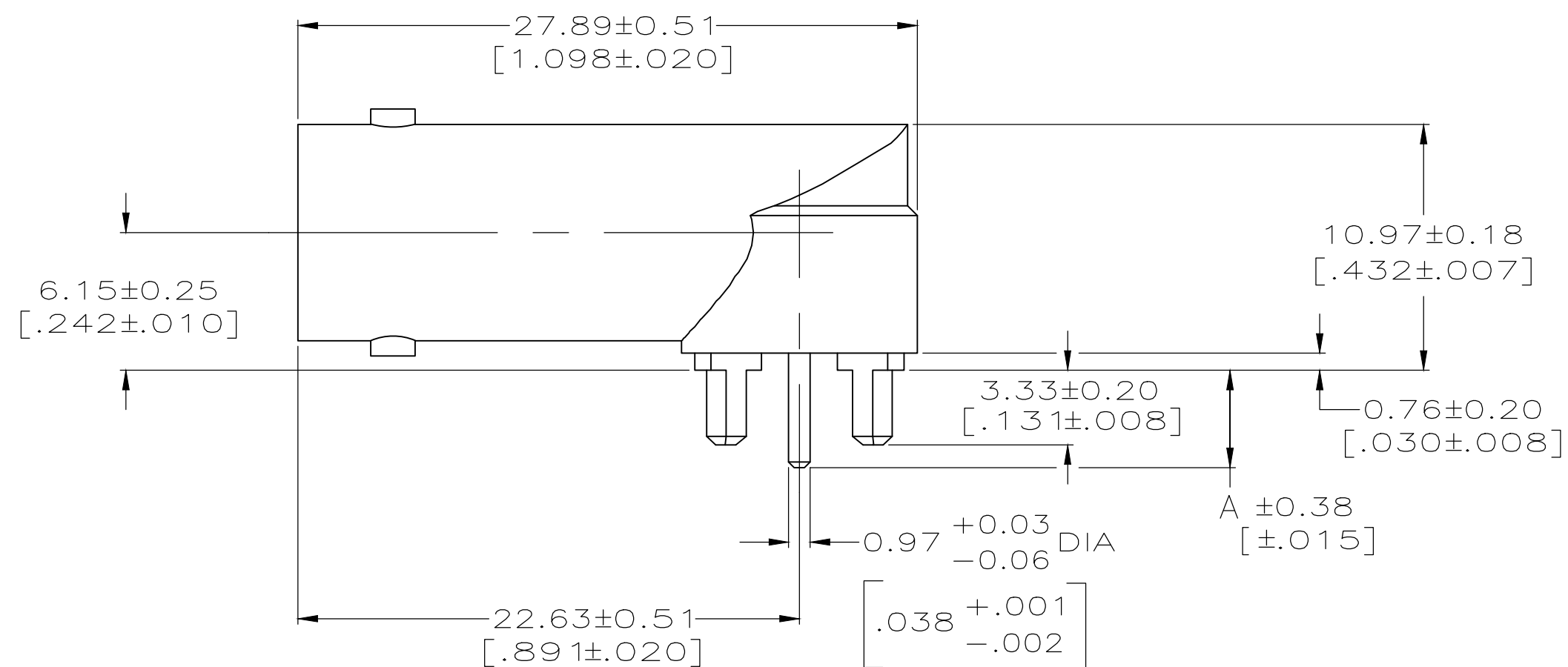


THIS DRAWING IS UNPUBLISHED. RELEASED FOR PUBLICATION
 © COPYRIGHT - By - ALL RIGHTS RESERVED.

REVISIONS				
P	LTR	DESCRIPTION	DATE	APVD
B2		REVISED PER ECO-16-001733	19JAN2020	RZ RS



PCB CONFIGURATION

- 1 ZINC PER ASTM B 86.
- 2 BERYLLIUM COPPER PER ASTM B 196.
- 3 PTFE PER ASTM B 1710.
- 4 NICKEL PLATE PER QQ-N-290, 3.81 μm [.000150] MINIMUM THICK.
- 5 TIN PLATE PER ASTM B 545, 3.04 μm [.000120] MINIMUM THICK, OVER NICKEL PLATE PER MIL-C-26074, 7.62 μm [.000300] MINIMUM THICK.
- 6 GOLD PLATE PER ASTM B 488, 1.27 μm [.000050] MINIMUM THICK.
- 7. INTERFACE PER MIL-C-39012.
- 8 GOLD PLATE PER ASTM B 488, 0.20 μm [.000008] MINIMUM THICK.
- 9 POLYMETHYLPENTENE: GENERAL PURPOSE.

9	4.34 [.171]	8	4	5413558-5
9	3.33 [.131]	6	4	5413558-3
3	4.34 [.171]	6	5	5413558-2
9	4.34 [.171]	6	4	5413558-1
FRONT DIELECTRIC MATERIAL	A	CONTACT FINISH	SHELL FINISH	PART NUMBER

THIS DRAWING IS A CONTROLLED DOCUMENT.		DWN L. VARELA - DOCK5 22APR2005	TE Connectivity	
		CHK J. HAVENER 22APR2005		
		APVD J. LIPPERT 22APR2005	NAME	
		PRODUCT SPEC 108-12078	JACK, RIGHT ANGLE, PCB, 75 OHM, SERIES BNC	
		APPLICATION SPEC	SIZE A2	CAGE CODE 00779
MATERIAL SEE NOTES 1-3		FINISH SEE NOTES 4-6, 8-9	WEIGHT 0.000000	DRAWING NO C=5413558
			CUSTOMER DRAWING	RESTRICTED TO -
			SCALE 4:1	SHEET 1 OF 1
				REV B2

X-ON Electronics

Largest Supplier of Electrical and Electronic Components

Click to view similar products for [RF Connectors / Coaxial Connectors](#) category:

Click to view products by [TE Connectivity](#) manufacturer:

Other Similar products are found below :

[8915-1511-000](#) [89674-0827](#) [6001-7071-019](#) [6002-7051-003](#) [6002-7551-202](#) [6059674-1](#) [619550-1](#) [630059-000](#) [M39030/3-01N](#) [6500-7071-046](#) [6769](#) [CX050L2AQ](#) [7002-1541-010](#) [7002-1542-011](#) [7004-1512-000](#) [7009-1511-004](#) [7010-1511-000](#) [7029-1511-060](#) [7101-1541-010](#) [7101-1571-002](#) [7105-1521-002](#) [7145-1521-002](#) [7203-1571-003](#) [7209-1511-011](#) [7210-1511-015](#) [7210-1511-019](#) [73137-5015](#) [73216-2241](#) [73404-2300](#) [7405-1521-005](#) [7405-1521-802](#) [8527](#) [8547](#) [FS11V](#) [877931](#) [9049-9513-000](#) [9074-9513-000](#) [9101-9573-002](#) [910A205F](#) [9130-9573-002](#) [PL11SC-026](#) [PL375-33](#) [PL40-5](#) [PL74C-221](#) [PL75MC-217](#) [PL803-7](#) [1200690078](#) [1-201144-1](#) [R107003010W](#) [R110A172100](#)