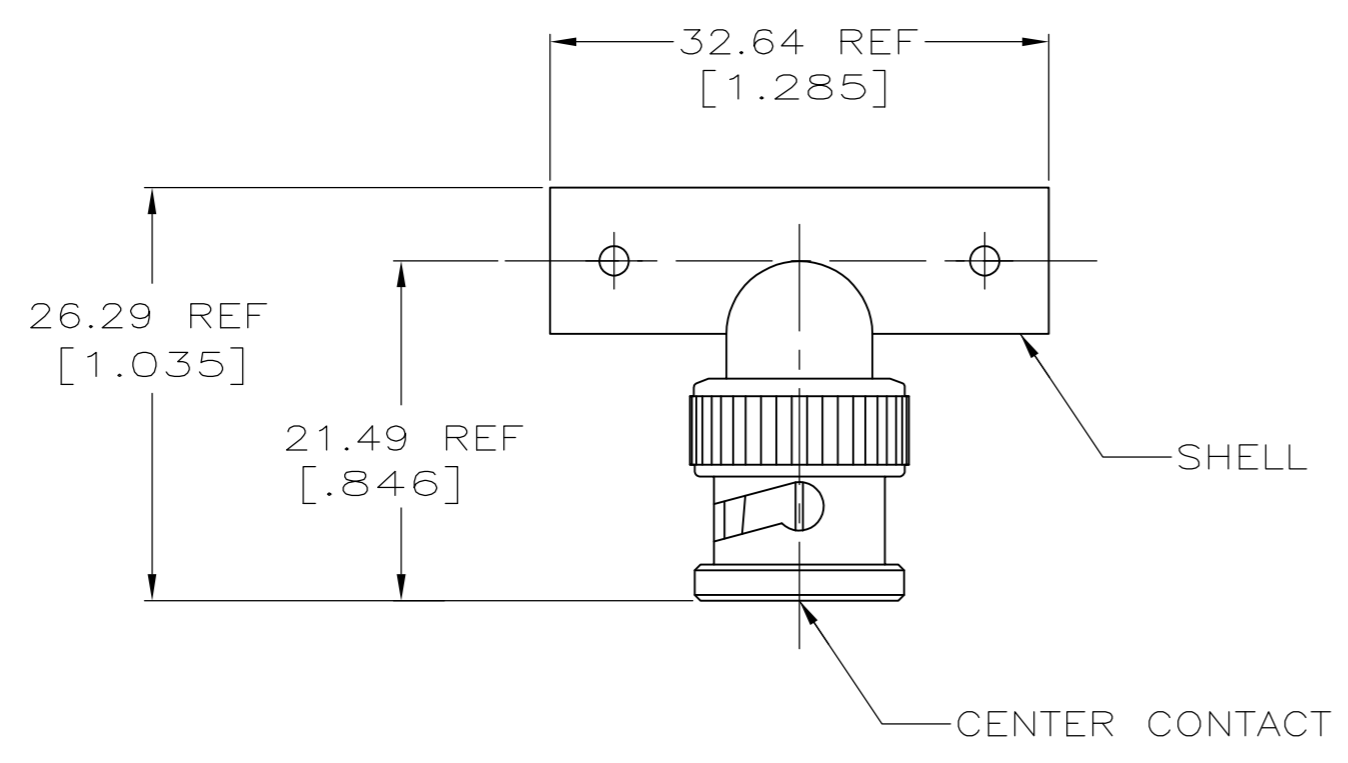


THIS DRAWING IS UNPUBLISHED. RELEASED FOR PUBLICATION  
 © COPYRIGHT BY TYCO ELECTRONICS CORPORATION. ALL RIGHTS RESERVED.

LOC	DIST	REVISIONS					
		P	LTR	DESCRIPTION	DATE	DWN	APVD
AJ	16		A	REVISED PER EC OS14-0150-05	01JULY05	BM	JL
			A1	REVISED PER ECO-09-024927	18DEC09	KK	AEG



- 1 DIELECTRIC : DELRIN/POLYMETHYLPENTENE  
 PLUG CENTER CONTACT : BRASS  
 PLUG OUTER CONTACT : BRASS  
 SHELL : ZINC
- 2 NICKEL PLATE .000120" MINIMUM THICK
- 3. INTERMATEABLE WITH PRODUCT PER MIL-C-39012
- 4 SILVER PLATE .000200" MINIMUM THICK  
 OVER .000050 MINIMUM THICK NICKEL.
- 5 PHOSPHOR BRONZE
- 6 BERYLLIUM COPPER
- 7 BULK PACKAGED: 25 PCS PER BAG
- 8 BULK PACKAGED: 5 PCS PER BOX
- 9 INDIVIDUALLY PACKAGED
- 10 BULK PACKAGED: 100 PCS PER BAG.
- 11 INDIVIDUALLY PACKAGED FOR NETCON.
- 12 GOLD PLATE, .000015 MINIMUM THICK  
 OVER .000050 MINIMUM THICK NICKEL.
- 13 GOLD PLATE, .000030 MINIMUM THICK  
 OVER .000050 MINIMUM THICK NICKEL.
- 14 OBSOLETE PARTS: OBSOLETE CIS STREAMLINING  
 PER D.RENAUD/D.SINISI

8	14	OBSOLETE	5	2	4	1-5413592-5
9	14	OBSOLETE	6	2	4	1-5413592-1
11			5	2	12	5413592-9
10			6	2	13	5413592-6
10			5	2	12	5413592-2

MATERIAL: JACK CENTER CONTACT	SHELL PLATING	CONTACT PLATING	PART NO
-------------------------------	---------------	-----------------	---------

THIS DRAWING IS A CONTROLLED DOCUMENT.		DWN L. VARELA - DOCK5 22APR2005	Tyco Electronics Corporation Harrisburg, Pa 17105-3608	
DIMENSIONS: mm [INCHES]		CHK J. HAVENER 22APR2005	Tyco Electronics	
TOLERANCES UNLESS OTHERWISE SPECIFIED:		APVD J. LIPPERT 22APR2005	NAME T-ADAPTER SERIES BNC	
0 PLC ± -		PRODUCT SPEC 108-12090	SIZE A2	
1 PLC ± -		APPLICATION SPEC	CAGE CODE 00779	DRAWING NO C=5413592
2 PLC ± -		WEIGHT -	SCALE 2:1	SHEET 1 OF 1
3 PLC ± -		FINISH	REV A1	
4 PLC ± -				
ANGLES ± -		CUSTOMER DRAWING		

## X-ON Electronics

Largest Supplier of Electrical and Electronic Components

*Click to view similar products for [RF Adapters - Tee category](#):*

*Click to view products by [TE Connectivity manufacturer](#):*

Other Similar products are found below :

[R142782000](#) [R114780000W](#) [R142780000W](#) [R143780000](#) [R143782000](#) [344A505](#) [TN2](#) [443A505](#) [5207-1501-000](#) [R125780000](#) [BNC-TA-JJJ\(40\)](#) [R125780001](#) [034-1023](#) [ADP-BNCF-2BNCF](#) [73148-5003](#) [31-208-1051](#) [CT3312](#) [53S301-K00N5](#) [CT2411](#) [43\\_SMB-50-0-2/111\\_NE](#) [32K301-K00L5](#) [46\\_SMA-50-0-1/111\\_NE](#) [51S303-K00N5](#) [32S301-K00L5](#) [43\\_N-50-0-1/133\\_NE](#) [CPAD705](#) [BN153](#) [031-208-1051](#) [031-70036](#) [082-102](#) [112455](#) [112456](#) [112459](#) [112461](#) [112462](#) [112567](#) [112590](#) [122354](#) [122356](#) [132216](#) [132217](#) [142300](#) [172125](#) [172127](#) [172233](#) [31-208](#) [31-208-RFX](#) [31-2208](#) [31-8](#) [34-1023](#)