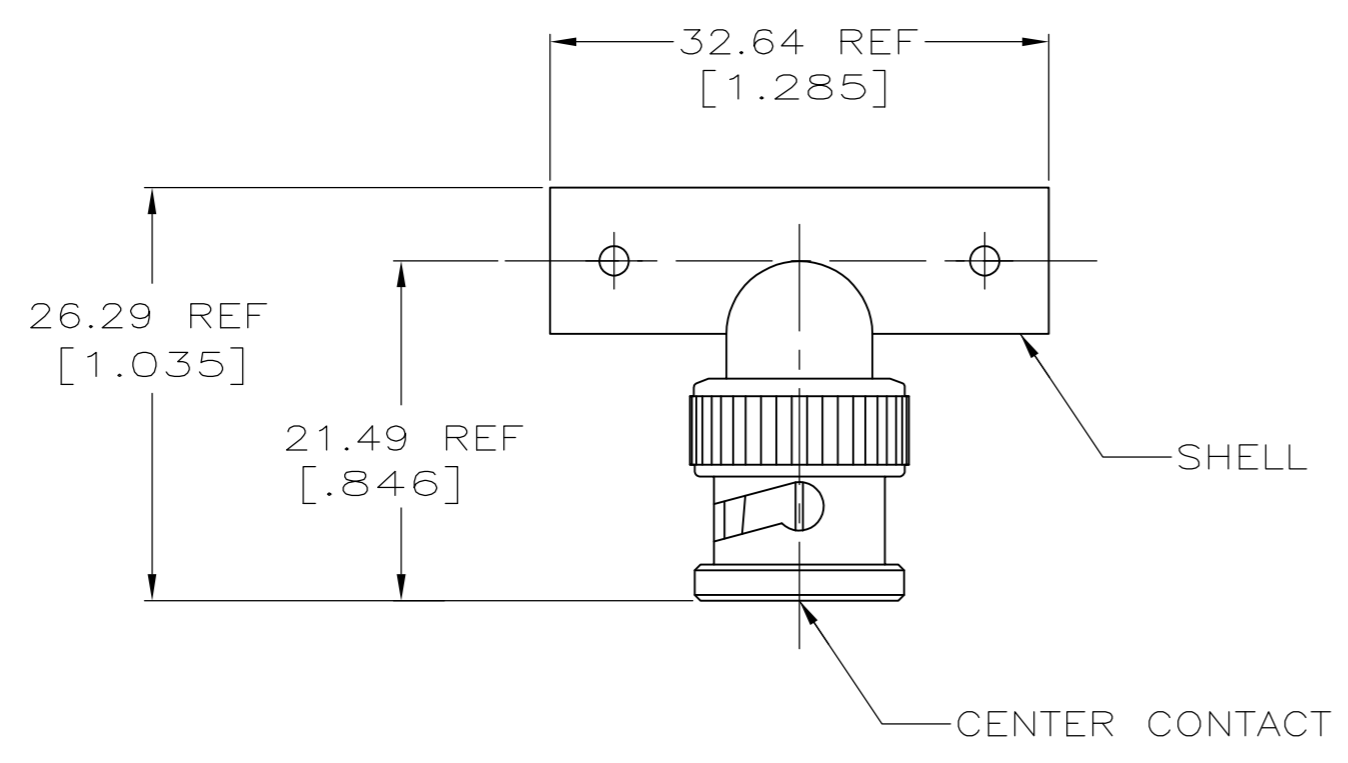


THIS DRAWING IS UNPUBLISHED. RELEASED FOR PUBLICATION
 © COPYRIGHT BY TYCO ELECTRONICS CORPORATION. ALL RIGHTS RESERVED.

LOC	DIST	REVISIONS					
		P	LTR	DESCRIPTION	DATE	DWN	APVD
AJ	16		A	REVISED PER EC OS14-0150-05	01JULY05	BM	JL
			A1	REVISED PER ECO-09-024927	18DEC09	KK	AEG



- 1 DIELECTRIC : DELRIN/POLYMETHYLPENTENE
 PLUG CENTER CONTACT : BRASS
 PLUG OUTER CONTACT : BRASS
 SHELL : ZINC
- 2 NICKEL PLATE .000120" MINIMUM THICK
- 3. INTERMATEABLE WITH PRODUCT PER MIL-C-39012
- 4 SILVER PLATE .000200" MINIMUM THICK
 OVER .000050 MINIMUM THICK NICKEL.
- 5 PHOSPHOR BRONZE
- 6 BERYLLIUM COPPER
- 7 BULK PACKAGED: 25 PCS PER BAG
- 8 BULK PACKAGED: 5 PCS PER BOX
- 9 INDIVIDUALLY PACKAGED
- 10 BULK PACKAGED: 100 PCS PER BAG.
- 11 INDIVIDUALLY PACKAGED FOR NETCON.
- 12 GOLD PLATE, .000015 MINIMUM THICK
 OVER .000050 MINIMUM THICK NICKEL.
- 13 GOLD PLATE, .000030 MINIMUM THICK
 OVER .000050 MINIMUM THICK NICKEL.
- 14 OBSOLETE PARTS: OBSOLETE CIS STREAMLINING
 PER D.RENAUD/D.SINISI

8	14	OBSOLETE	5	2	4	1-5413592-5
9	14	OBSOLETE	6	2	4	1-5413592-1
11			5	2	12	5413592-9
10			6	2	13	5413592-6
10			5	2	12	5413592-2

MATERIAL: JACK CENTER CONTACT	SHELL PLATING	CONTACT PLATING	PART NO
-------------------------------	---------------	-----------------	---------

THIS DRAWING IS A CONTROLLED DOCUMENT.		DWN L. VARELA - DOCK5 22APR2005	Tyco Electronics Corporation Harrisburg, Pa 17105-3608	
DIMENSIONS: mm [INCHES]		CHK J. HAVENER 22APR2005	NAME T-ADAPTER SERIES BNC	
TOLERANCES UNLESS OTHERWISE SPECIFIED: 0 PLC ± - 1 PLC ± - 2 PLC ± - 3 PLC ± - 4 PLC ± - ANGLES ± -		APVD J. LIPPERT 22APR2005	PRODUCT SPEC 108-12090	
MATERIAL		FINISH	WEIGHT -	SIZE A2 CAGE CODE 00779 DRAWING NO C=5413592 RESTRICTED TO -
1 5 6		2 4 12 13		SCALE 2:1 SHEET 1 OF 1 REV A1

X-ON Electronics

Largest Supplier of Electrical and Electronic Components

Click to view similar products for [RF Adapters - Tee category](#):

Click to view products by [TE Connectivity manufacturer](#):

Other Similar products are found below :

[R142782000](#) [R114780000W](#) [R142780000W](#) [R143780000](#) [R143782000](#) [344A505](#) [TN2](#) [443A505](#) [5207-1501-000](#) [R125780000](#) [BNC-TA-JJJ\(40\)](#) [R125780001](#) [034-1023](#) [ADP-BNCF-2BNCF](#) [73148-5003](#) [31-208-1051](#) [CT3312](#) [53S301-K00N5](#) [CT2411](#) [43_SMB-50-0-2/111_NE](#) [32K301-K00L5](#) [46_SMA-50-0-1/111_NE](#) [51S303-K00N5](#) [32S301-K00L5](#) [43_N-50-0-1/133_NE](#) [CPAD705](#) [BN153](#) [031-208-1051](#) [031-70036](#) [082-102](#) [112455](#) [112456](#) [112459](#) [112461](#) [112462](#) [112567](#) [112590](#) [122354](#) [122356](#) [132216](#) [132217](#) [142300](#) [172125](#) [172127](#) [172233](#) [21900](#) [31-208](#) [31-208-RFX](#) [31-2208](#) [31-8](#)