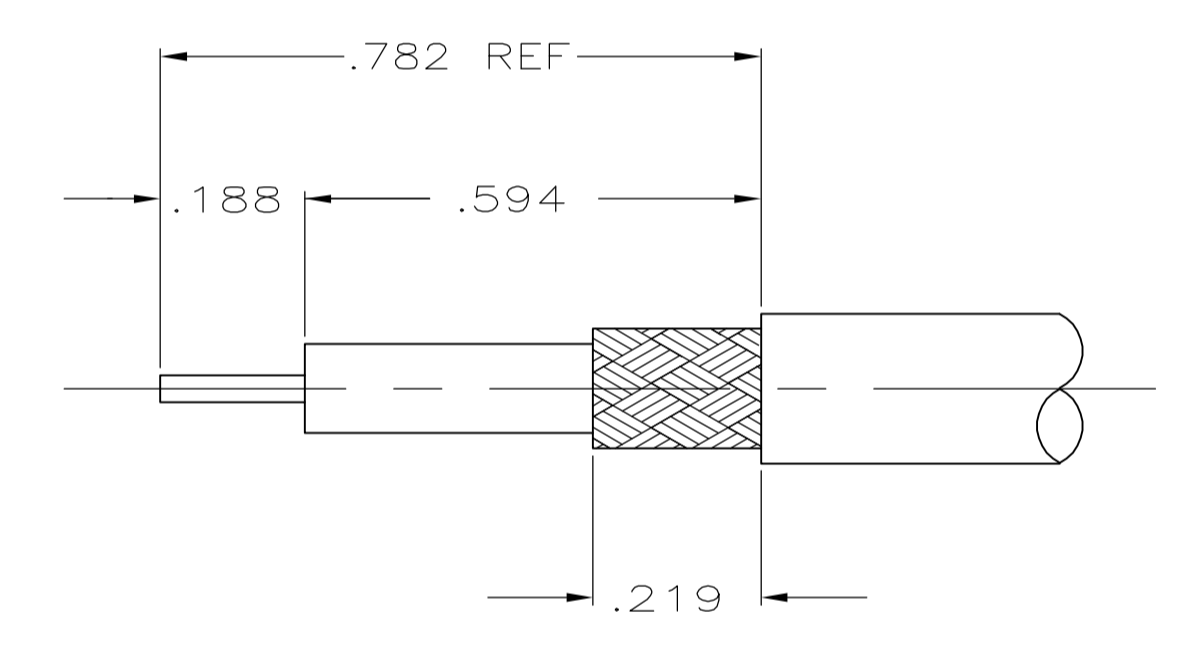
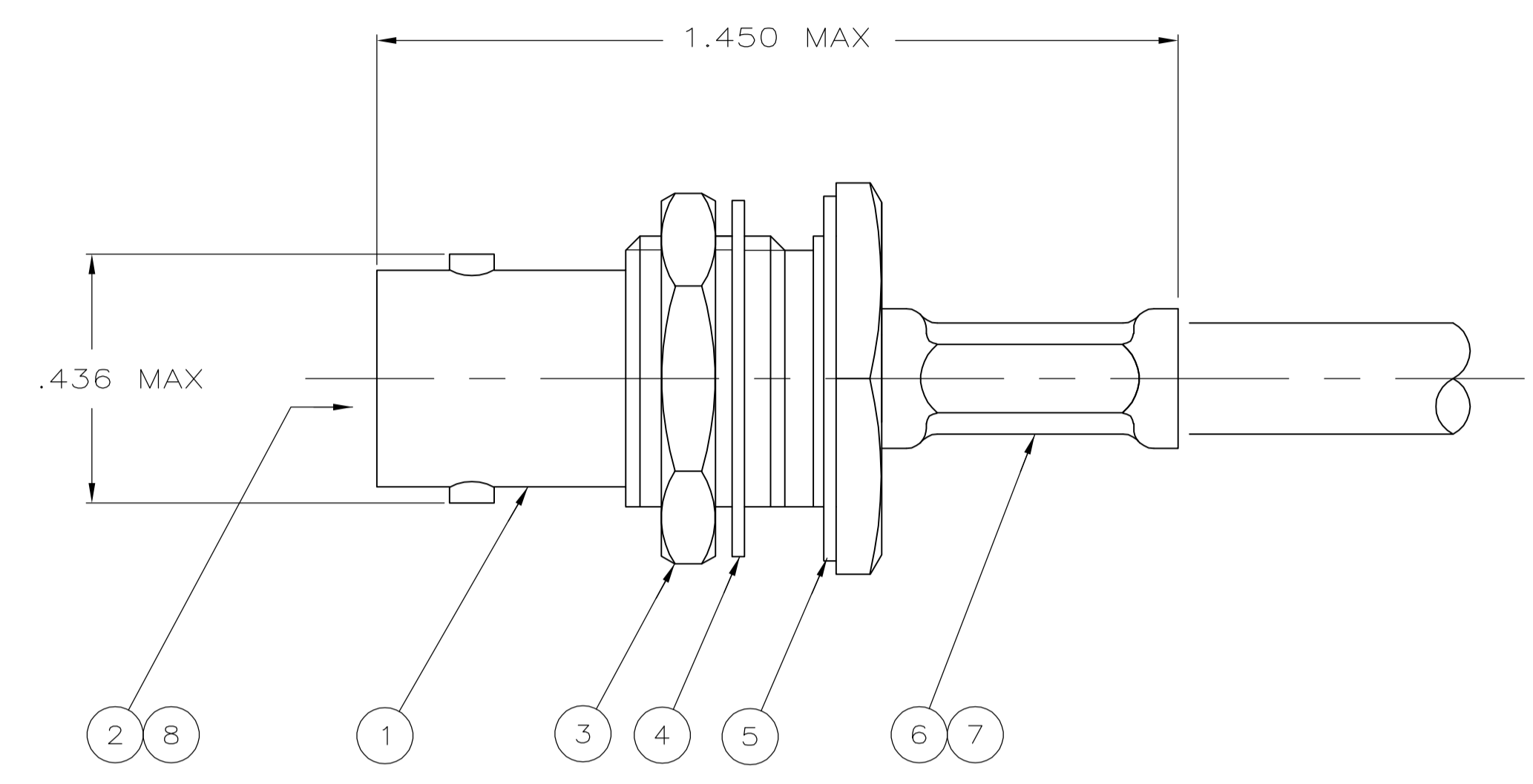
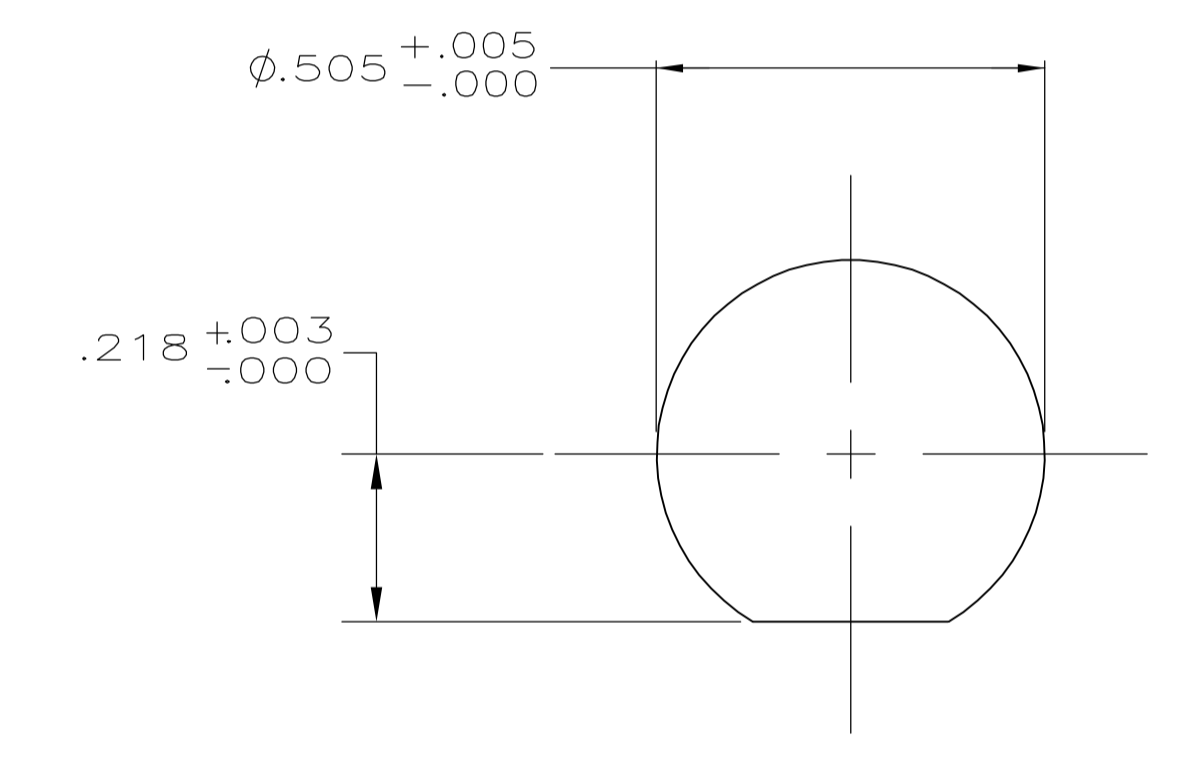


△ USE WITH PRO-CRIMPER 354940-1  
 2. SEE INSTRUCTION SHEET 408-9780



RECOMMENDED STRIP LENGTH



SUGGESTED PANEL CUTOUT

RG-174, RG-188 & RG-316	.068	.178	58436-3	227194-3	9-413658-0	329633	1-329632-2	1-329631-2	1-413774-5	413772-3	5413771-3
RG-58/U, 58A/U, 58B/U, 58C/U & BELDEN 88240	.068	.213	58436-1	-	9-221132-0	329633	1-329632-2	1-329631-2	413774-5	413772-1	5413771-1
FOR USE WITH CABLE	CONTACT CRIMP (HEX)	FERRULE CRIMP (HEX)	DIE SET △1	⑦ TUBING QTY=1	⑥ FERRULE QTY=1	⑤ GASKET QTY=1	④ LOCKWASHER QTY=1	③ JAM NUT QTY=1	② CONTACT QTY=1	① JACK ASSEMBLY QTY=1	PART NUMBER

THIS DRAWING IS A CONTROLLED DOCUMENT.

DIMENSIONS: INCHES	TOLERANCES UNLESS OTHERWISE SPECIFIED:	DWG: A. FERNANDEZ-DOCK5	DATE: 22APR2005	REV: 00
0 PLC ± -	1 PLC ± -	CHK: J. HAVENER	DATE: 22APR2005	REV: 00
2 PLC ± -	3 PLC ± .016	APVD: J. LIPPERT	DATE: 22APR2005	REV: 00
4 PLC ± -	ANGLES ± -	NAME: J. LIPPERT	DATE: 22APR2005	REV: 00
MATERIAL: -	FINISH: -	PRODUCT SPEC: -	APPLICATION SPEC: -	RESTRICTED TO: -
CUSTOMER DRAWING		SIZE: A1	WEIGHT: -	SCALE: 4:1
00779		CAGE CODE: -	DRAWING NO: 5413771	SHEET 1 OF 1
REV: -		DATE: -		BY: -

tyco Electronics Tyco Electronics Corporation Harrisburg, PA 17105-3608

JACK, BULKHEAD, HEX CRIMP, COMMERCIAL BNC

## X-ON Electronics

Largest Supplier of Electrical and Electronic Components

*Click to view similar products for [RF Connectors / Coaxial Connectors](#) category:*

*Click to view products by [TE Connectivity](#) manufacturer:*

Other Similar products are found below :

[8915-1511-000](#) [89674-0827](#) [6001-7071-019](#) [6002-7051-003](#) [6002-7551-202](#) [6059674-1](#) [619550-1](#) [630059-000](#) [M39030/3-01N](#) [6500-7071-046](#) [6769](#) [CX050L2AQ](#) [7002-1541-010](#) [7002-1542-011](#) [7004-1512-000](#) [7009-1511-004](#) [7010-1511-000](#) [7029-1511-060](#) [7101-1541-010](#) [7101-1571-002](#) [7145-1521-002](#) [7203-1571-003](#) [7209-1511-011](#) [7210-1511-015](#) [7210-1511-019](#) [73137-5015](#) [73216-2241](#) [73404-2300](#) [7405-1521-005](#) [7405-1521-802](#) [8527](#) [8547](#) [FS11V](#) [877931](#) [8808-1511-001](#) [9049-9513-000](#) [9074-9513-000](#) [9101-9573-002](#) [910A205F](#) [9130-9573-002](#) [PL11SC-026](#) [PL375-33](#) [PL40-5](#) [PL74C-221](#) [PL75MC-217](#) [PL803-7](#) [1200690078](#) [1-201144-1](#) [R107003010W](#) [R110A172100](#)