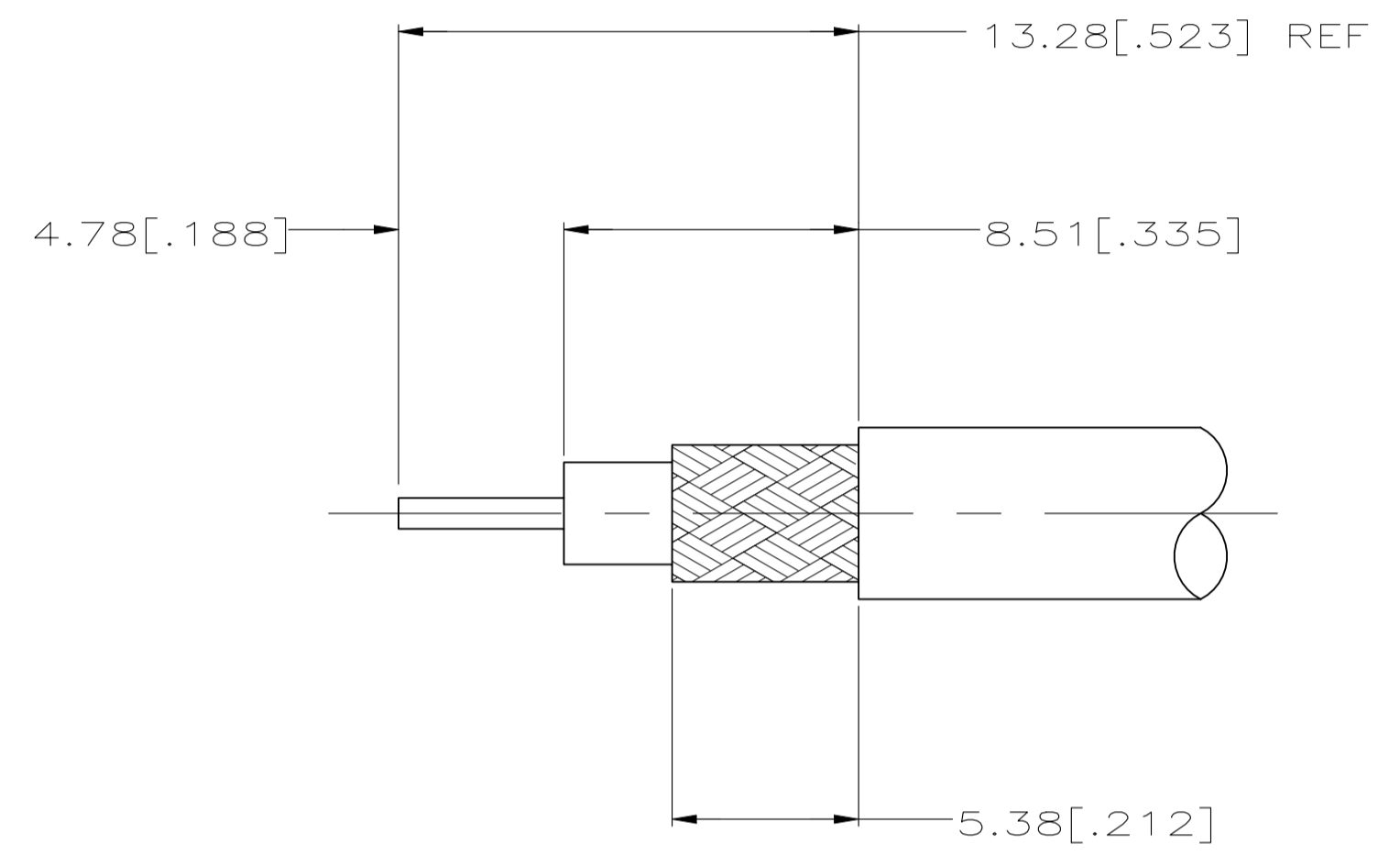
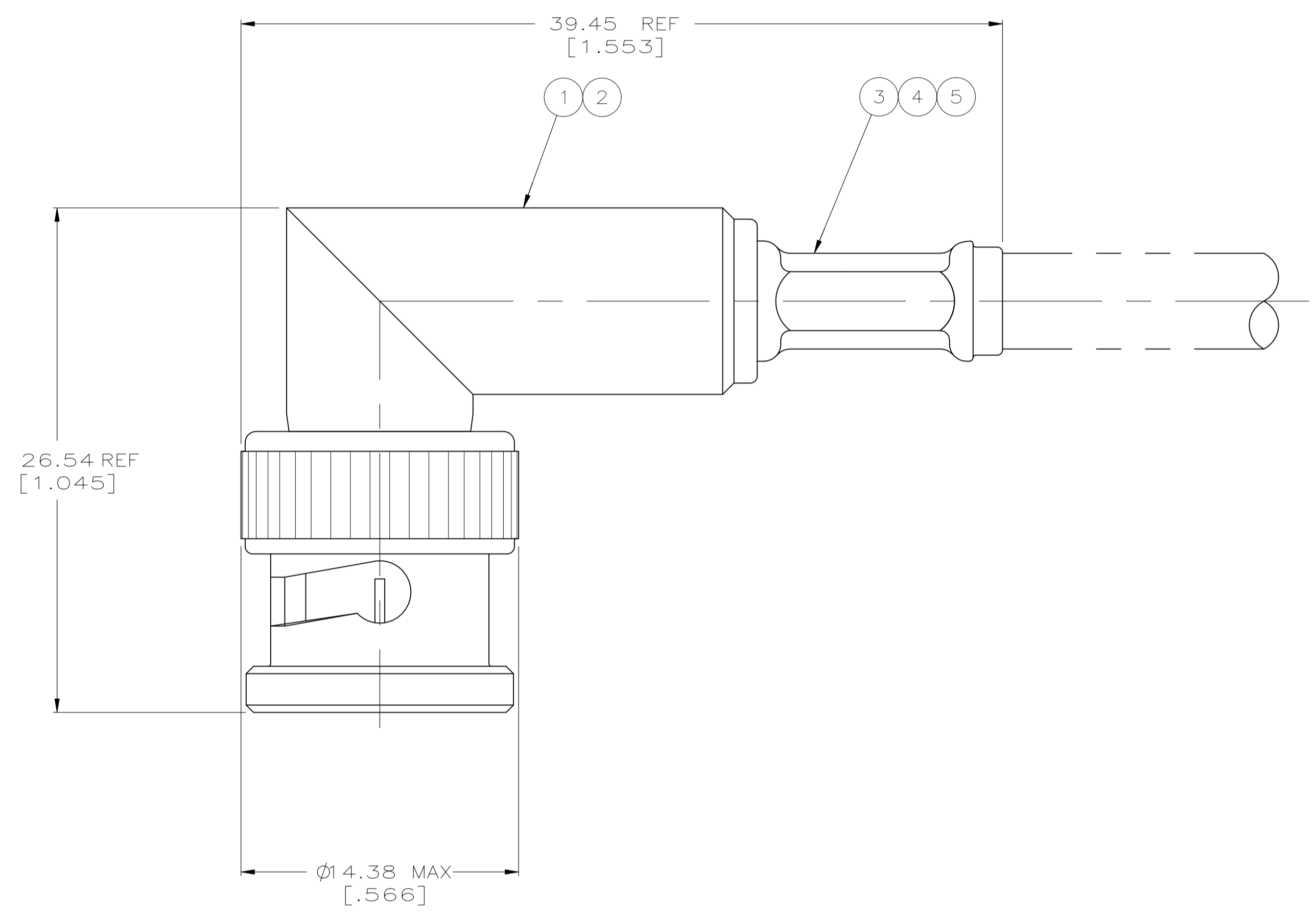


| REVISIONS | | | | | |
|-----------|-----|---------------------------|-----------|----|------|
| P | LTR | DESCRIPTION | DATE | DN | APVD |
| A2 | | REVISED PER ECN-21-111987 | 06AUG2021 | RZ | WK |

- 1. USE WITH HAND TOOL 354940-1.
- 2. SEE INSTRUCTION SHEET 408-9778.



RECOMMENDED STRIP LENGTH

| | | | | | | | | |
|-------------------------------|---------------------|---------------------|----------------------|------------------------------------|----------------------------|----------------------------|------------------------------|-------------|
| BELDEN YR15492 | 1.73 [.068] | 5.41 [.213] | 58436-1 | - | 8-221132-9 | 413774-5 | 413960-1 | 5413959-8 |
| RG-141/U, BELDEN 9907 & 89907 | 1.73 [.068] | 5.41 [.213] | 58436-1 | - | 9-221132-0 | 2-413774-5 | 413960-1 | 5413959-6 |
| RG-180/U & 195/U | 1.73 [.068] | 4.52 [.178] | 58436-3 | - | 9-413658-1 | 2-413774-0 | 413960-3 | 5413959-5 |
| RG-179/U & 187/U | 1.73 [.068] | 4.52 [.178] | 58436-3 | 227194-1 | 9-413658-0 | 2-413774-0 | 413960-3 | 5413959-4 |
| RG-174/U, 188/U & 316/U | 1.73 [.068] | 4.52 [.178] | 58436-3 | 227194-1 | 9-413658-0 | 1-413774-5 | 413960-3 | 5413959-3 |
| RG-58/U & BELDEN 88240 | 1.73 [.068] | 5.41 [.213] | 58436-1 | - | 9-221132-0 | 413774-5 | 413960-1 | 5413959-1 |
| FOR USE WITH CABLE | CONTACT CRIMP (HEX) | FERRULE CRIMP (HEX) | DIE SET ¹ | ⁴ TUBING, PLASTIC QTY=1 | ³ FERRULE QTY=1 | ² CONTACT QTY=1 | ¹ PLUG ASSY QTY=1 | PART NUMBER |

THIS DRAWING IS A CONTROLLED DOCUMENT.

| | | | | | |
|-------------------------|--|---------------------------------|---------------------------|------------|-----------------|
| DIMENSIONS: mm [INCHES] | TOLERANCES UNLESS OTHERWISE SPECIFIED: | DIN A FERNANDEZ-DUCKS 22APR2005 | APVD J. LIPPERT 22APR2005 | NAME | TE Connectivity |
| 0. PLC ± - | 1. PLC ± - | 2. PLC ± - | 3. PLC ± .41[016] | 4. PLC ± - | ANGLES ± - |
| MATERIAL | FINISH | WEIGHT 0.000000 | A1 00779 | C=5413959 | RESTRICTED TO |
| CUSTOMER DRAWING | | SCALE 5:1 | SHEET 1 of 1 | REV A2 | |

X-ON Electronics

Largest Supplier of Electrical and Electronic Components

Click to view similar products for [RF Connectors / Coaxial Connectors](#) category:

Click to view products by [TE Connectivity](#) manufacturer:

Other Similar products are found below :

[8915-1511-000](#) [89674-0827](#) [6001-7071-019](#) [6002-7051-003](#) [6002-7551-202](#) [6059674-1](#) [619550-1](#) [630059-000](#) [M39030/3-01N](#) [6500-7071-046](#) [6769](#) [CX050L2AQ](#) [7002-1541-010](#) [7002-1542-011](#) [7004-1512-000](#) [7009-1511-004](#) [7010-1511-000](#) [7029-1511-060](#) [7101-1541-010](#) [7101-1571-002](#) [7105-1521-002](#) [7145-1521-002](#) [7203-1571-003](#) [7209-1511-011](#) [7210-1511-015](#) [7210-1511-019](#) [73137-5015](#) [73216-2241](#) [73404-2300](#) [7405-1521-005](#) [7405-1521-802](#) [8527](#) [8547](#) [FS11V](#) [877931](#) [9049-9513-000](#) [9074-9513-000](#) [9101-9573-002](#) [910A205F](#) [9130-9573-002](#) [PL11SC-026](#) [PL375-33](#) [PL40-5](#) [PL74C-221](#) [PL75MC-217](#) [PL803-7](#) [1200690078](#) [1-201144-1](#) [R107003010W](#) [R110A172100](#)