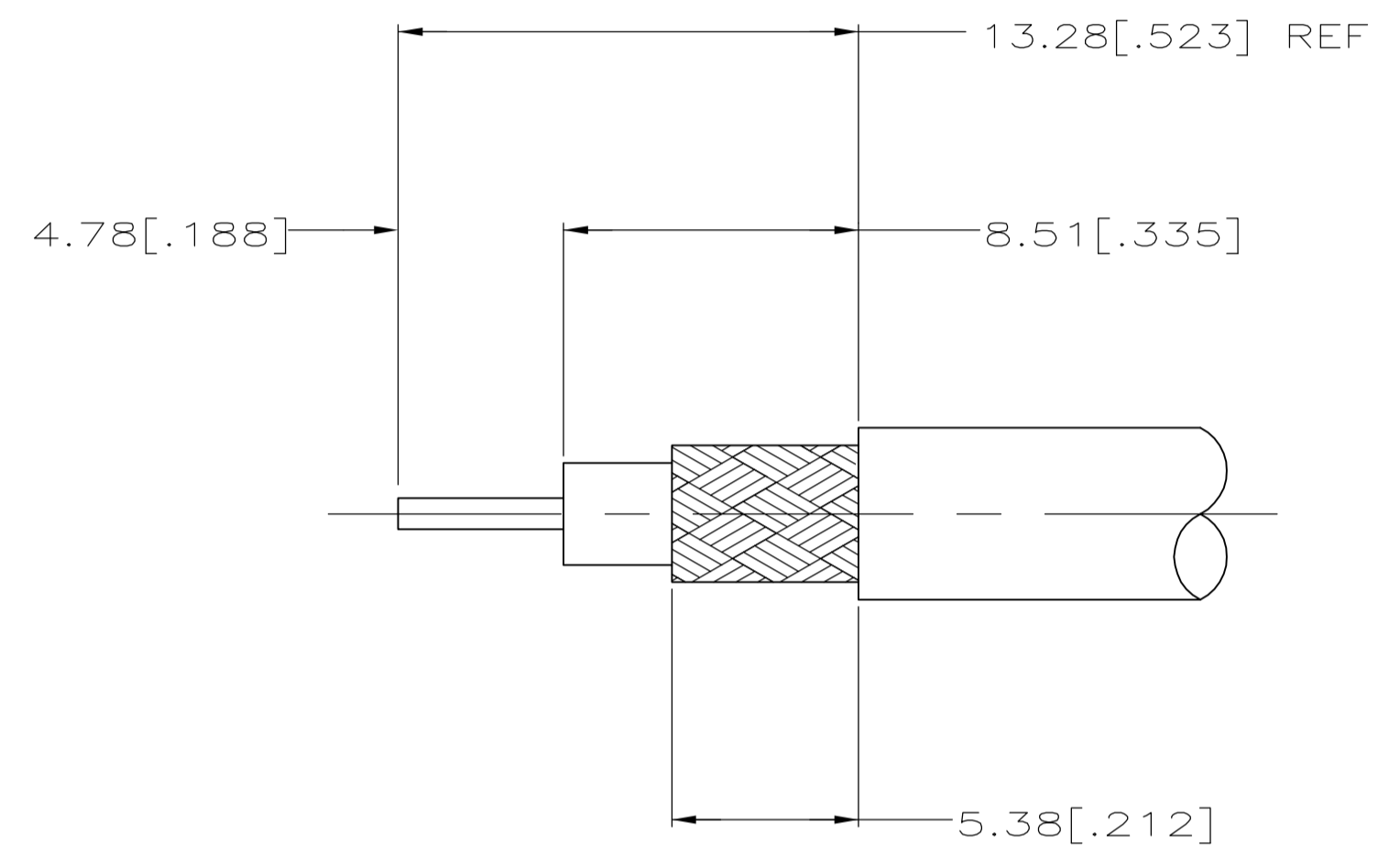
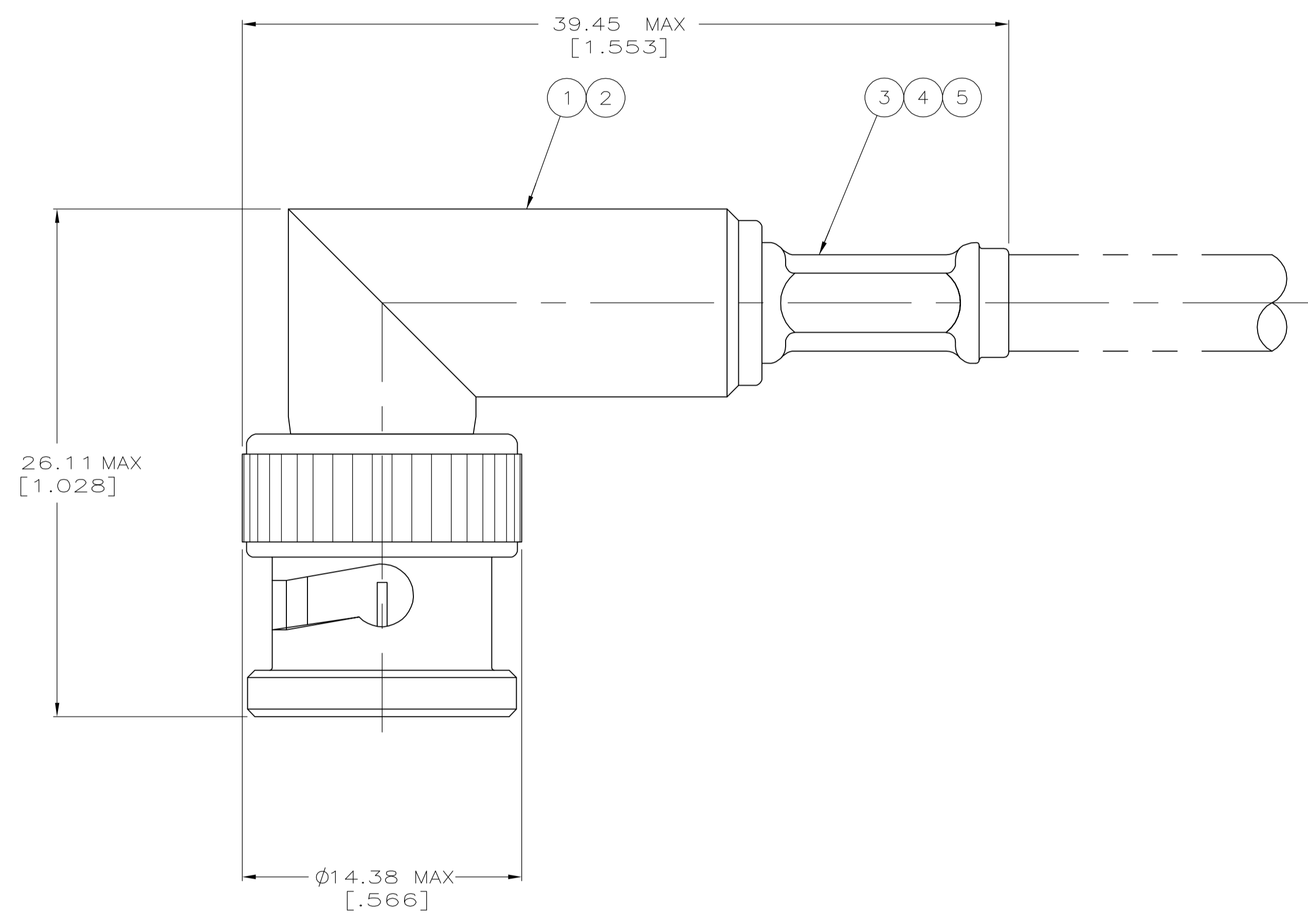


1. USE WITH HAND TOOL 354940-1.  
 2. SEE INSTRUCTION SHEET 408-9778.



RECOMMENDED STRIP LENGTH

BELDEN YR15492	1.73 [.068]	5.41 [.213]	58436-1	-	8-221132-9	413774-5	413960-1	5413959-8
RG-141/U, BELDEN 9907 & 89907	1.73 [.068]	5.41 [.213]	58436-1	-	9-221132-0	2-413774-5	413960-1	5413959-6
RG-180/U & 195/U	1.73 [.068]	4.52 [.178]	58436-3	-	9-413658-1	2-413774-0	413960-3	5413959-5
RG-179/U & 187/U	1.73 [.068]	4.52 [.178]	58436-3	227194-1	9-413658-0	2-413774-0	413960-3	5413959-4
RG-174/U, 188/U & 316/U	1.73 [.068]	4.52 [.178]	58436-3	227194-1	9-413658-0	1-413774-5	413960-3	5413959-3
RG-58/U & BELDEN 88240	1.73 [.068]	5.41 [.213]	58436-1	-	9-221132-0	413774-5	413960-1	5413959-1
FOR USE WITH CABLE	CONTACT CRIMP (HEX)	FERRULE CRIMP (HEX)	DIE SET <sup>1</sup>	<sup>4</sup> TUBING, PLASTIC QTY=1	<sup>3</sup> FERRULE QTY=1	<sup>2</sup> CONTACT QTY=1	<sup>1</sup> PLUG ASSY QTY=1	PART NUMBER

THIS DRAWING IS A CONTROLLED DOCUMENT.

DIMENSIONS: mm [INCHES]	TOLERANCES UNLESS OTHERWISE SPECIFIED:	DIN A FERNANDEZ-DOCK5 22APR2005	Tyco Electronics Corporation Harrisburg, PA 17105-3608
0 PLC ± -	1 PLC ± -	CHK J. HAVENER 22APR2005	
2 PLC ± -	3 PLC ± ± 41[016]	APVD J. LIPPERT 22APR2005	NAME PLUG, RIGHT ANGLE, 50 OHM, COMMERCIAL BNC
4 PLC ± -	ANGLES ± -	FINISH -	RESTRICTED TO
MATERIAL -	FINISH -	WEIGHT -	SIZE A1 00779 C=5413959
CUSTOMER DRAWING			SCALE 5:1 SHEET 1 OF 1 REV A1

## X-ON Electronics

Largest Supplier of Electrical and Electronic Components

*Click to view similar products for [RF Connectors / Coaxial Connectors](#) category:*

*Click to view products by [TE Connectivity](#) manufacturer:*

Other Similar products are found below :

[8915-1511-000](#) [89674-0827](#) [6001-7071-019](#) [6002-7051-003](#) [6002-7551-202](#) [6059674-1](#) [619550-1](#) [630059-000](#) [M39030/3-01N](#) [6500-7071-046](#) [6769](#) [CX050L2AQ](#) [7002-1541-010](#) [7002-1542-011](#) [7004-1512-000](#) [7009-1511-004](#) [7010-1511-000](#) [7029-1511-060](#) [7101-1541-010](#) [7101-1571-002](#) [7105-1521-002](#) [7145-1521-002](#) [7203-1571-003](#) [7209-1511-011](#) [7210-1511-015](#) [7210-1511-019](#) [73137-5015](#) [73216-2241](#) [73404-2300](#) [7405-1521-005](#) [7405-1521-802](#) [8527](#) [8547](#) [FS11V](#) [877931](#) [9049-9513-000](#) [9074-9513-000](#) [9101-9573-002](#) [910A205F](#) [9130-9573-002](#) [PL11SC-026](#) [PL375-33](#) [PL40-5](#) [PL74C-221](#) [PL75MC-217](#) [PL803-7](#) [1200690078](#) [1-201144-1](#) [R107003010W](#) [R110A172100](#)