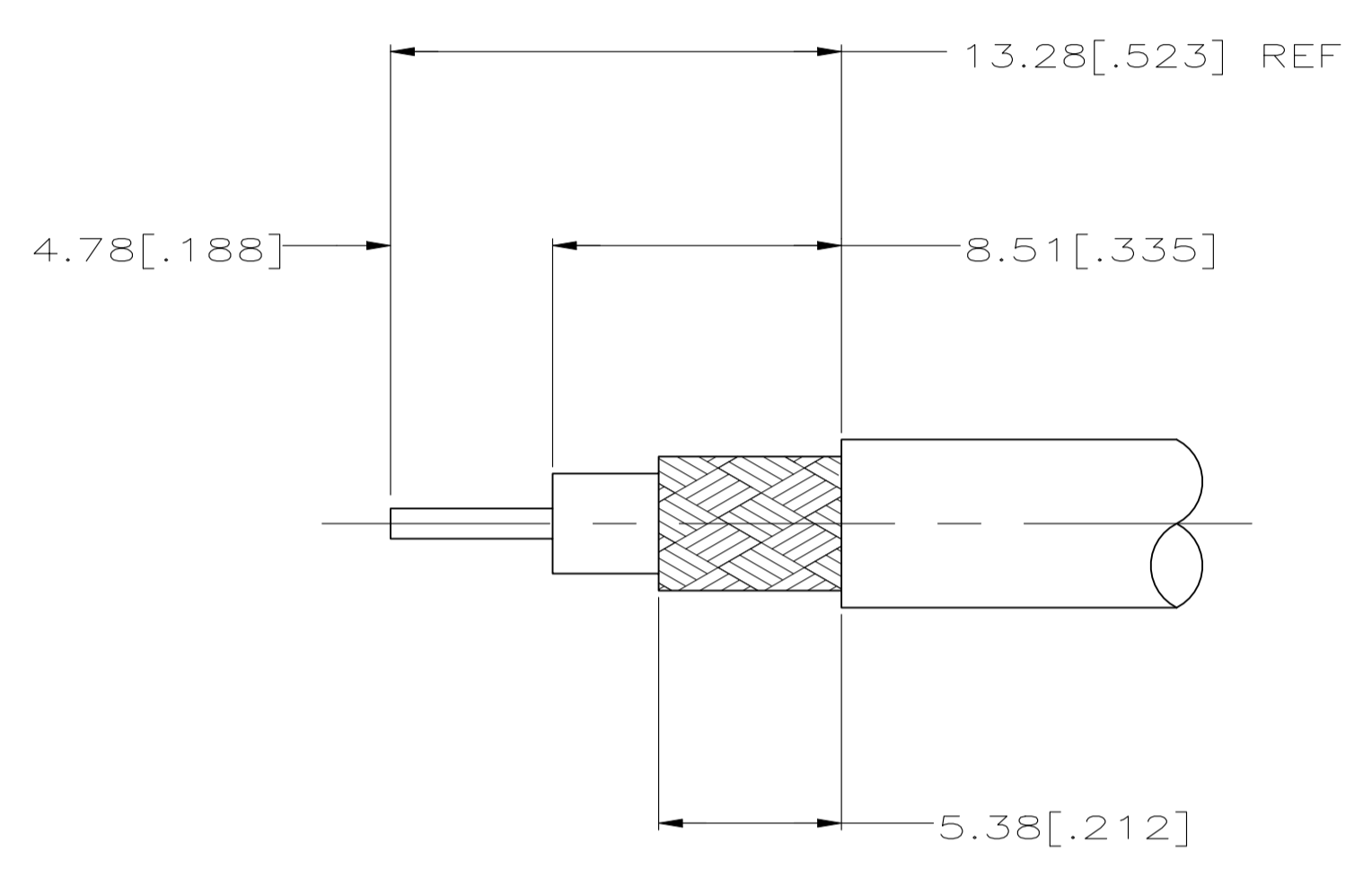
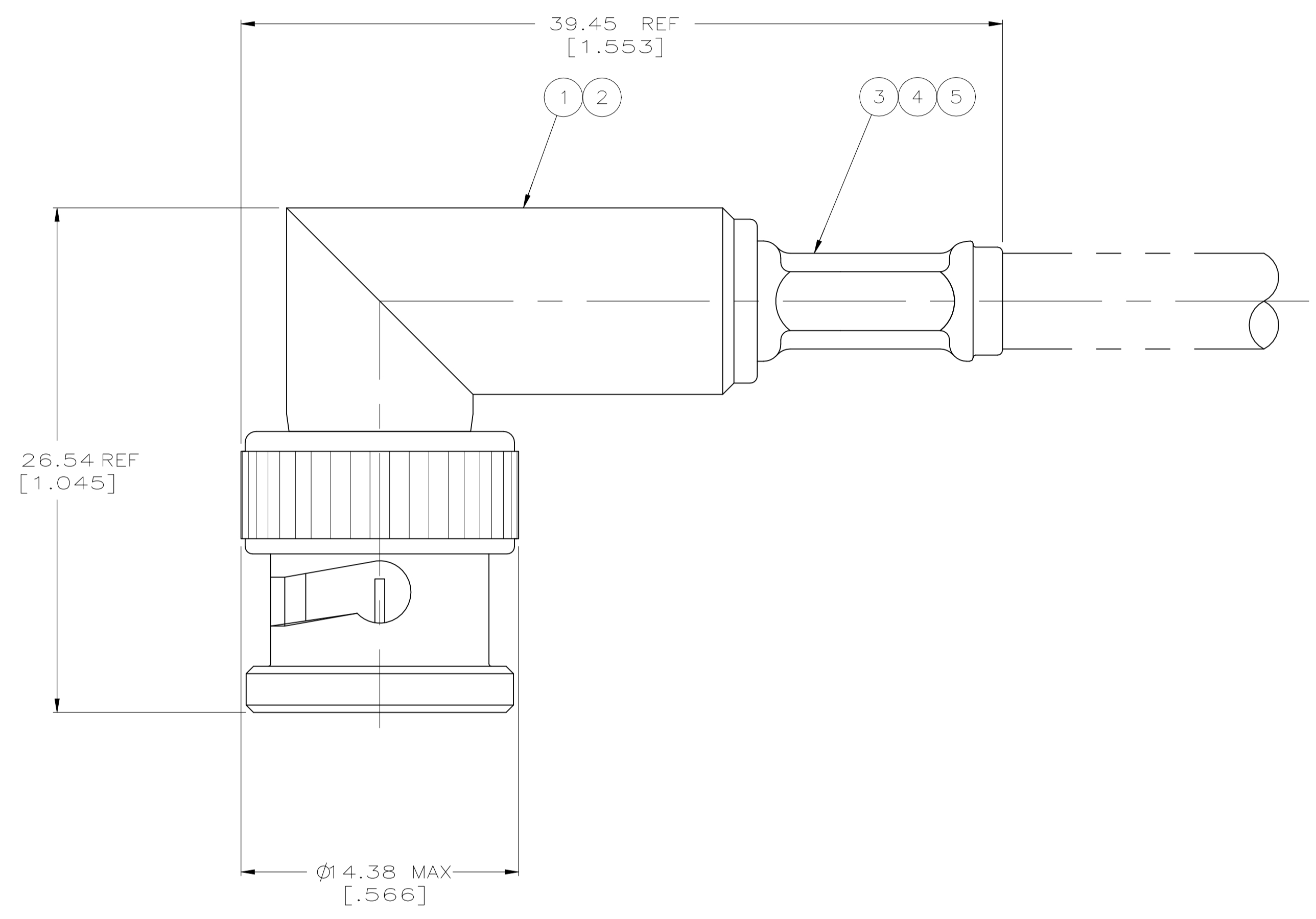


REVISIONS					
P	LTR	DESCRIPTION	DATE	DN	APVD
A2		REVISED PER ECN-21-111987	06AUG2021	RZ	WK

- 1. USE WITH HAND TOOL 354940-1.
- 2. SEE INSTRUCTION SHEET 408-9778.



RECOMMENDED STRIP LENGTH

BELDEN YR15492	1.73 [.068]	5.41 [.213]	58436-1	-	8-221132-9	413774-5	413960-1	5413959-8
RG-141/U, BELDEN 9907 & 89907	1.73 [.068]	5.41 [.213]	58436-1	-	9-221132-0	2-413774-5	413960-1	5413959-6
RG-180/U & 195/U	1.73 [.068]	4.52 [.178]	58436-3	-	9-413658-1	2-413774-0	413960-3	5413959-5
RG-179/U & 187/U	1.73 [.068]	4.52 [.178]	58436-3	227194-1	9-413658-0	2-413774-0	413960-3	5413959-4
RG-174/U, 188/U & 316/U	1.73 [.068]	4.52 [.178]	58436-3	227194-1	9-413658-0	1-413774-5	413960-3	5413959-3
RG-58/U & BELDEN 88240	1.73 [.068]	5.41 [.213]	58436-1	-	9-221132-0	413774-5	413960-1	5413959-1
FOR USE WITH CABLE	CONTACT CRIMP (HEX)	FERRULE CRIMP (HEX)	DIE SET ¹	⁴ TUBING, PLASTIC QTY=1	³ FERRULE QTY=1	² CONTACT QTY=1	¹ PLUG ASSY QTY=1	PART NUMBER

THIS DRAWING IS A CONTROLLED DOCUMENT.

DIMENSIONS: mm [INCHES]	TOLERANCES UNLESS OTHERWISE SPECIFIED:	DIN A FERNANDEZ-DUCKS 22APR2005	APVD J. LIPPERT 22APR2005	NAME	RESTRICTED TO
0. PLC ± -	1. PLC ± -	2. PLC ± -	3. PLC ± .41[016]	4. PLC ± -	ANGLES ± -
MATERIAL	FINISH	WEIGHT 0.000000	A1 00779	5413959	SCALE 5:1 SHEET 1 of 1 REV A2

STE TE Connectivity

PLUG, RIGHT ANGLE, 50 OHM, COMMERCIAL BNC

CUSTOMER DRAWING

X-ON Electronics

Largest Supplier of Electrical and Electronic Components

Click to view similar products for [RF Connectors / Coaxial Connectors](#) category:

Click to view products by [TE Connectivity](#) manufacturer:

Other Similar products are found below :

[8915-1511-000](#) [89674-0827](#) [6001-7071-019](#) [6002-7051-003](#) [6002-7551-202](#) [6059674-1](#) [619550-1](#) [630059-000](#) [M39030/3-01N](#) [6500-7071-046](#) [6769](#) [CX050L2AQ](#) [7002-1541-010](#) [7002-1542-011](#) [7004-1512-000](#) [7009-1511-004](#) [7010-1511-000](#) [7029-1511-060](#) [7101-1541-010](#) [7101-1571-002](#) [7145-1521-002](#) [7203-1571-003](#) [7209-1511-011](#) [7210-1511-015](#) [7210-1511-019](#) [73137-5015](#) [73216-2241](#) [73404-2300](#) [7405-1521-005](#) [7405-1521-802](#) [8527](#) [8547](#) [FS11V](#) [877931](#) [8808-1511-001](#) [9049-9513-000](#) [9074-9513-000](#) [9101-9573-002](#) [910A205F](#) [9130-9573-002](#) [PL11SC-026](#) [PL375-33](#) [PL40-5](#) [PL74C-221](#) [PL75MC-217](#) [PL803-7](#) [1200690078](#) [1-201144-1](#) [R107003010W](#) [R110A172100](#)