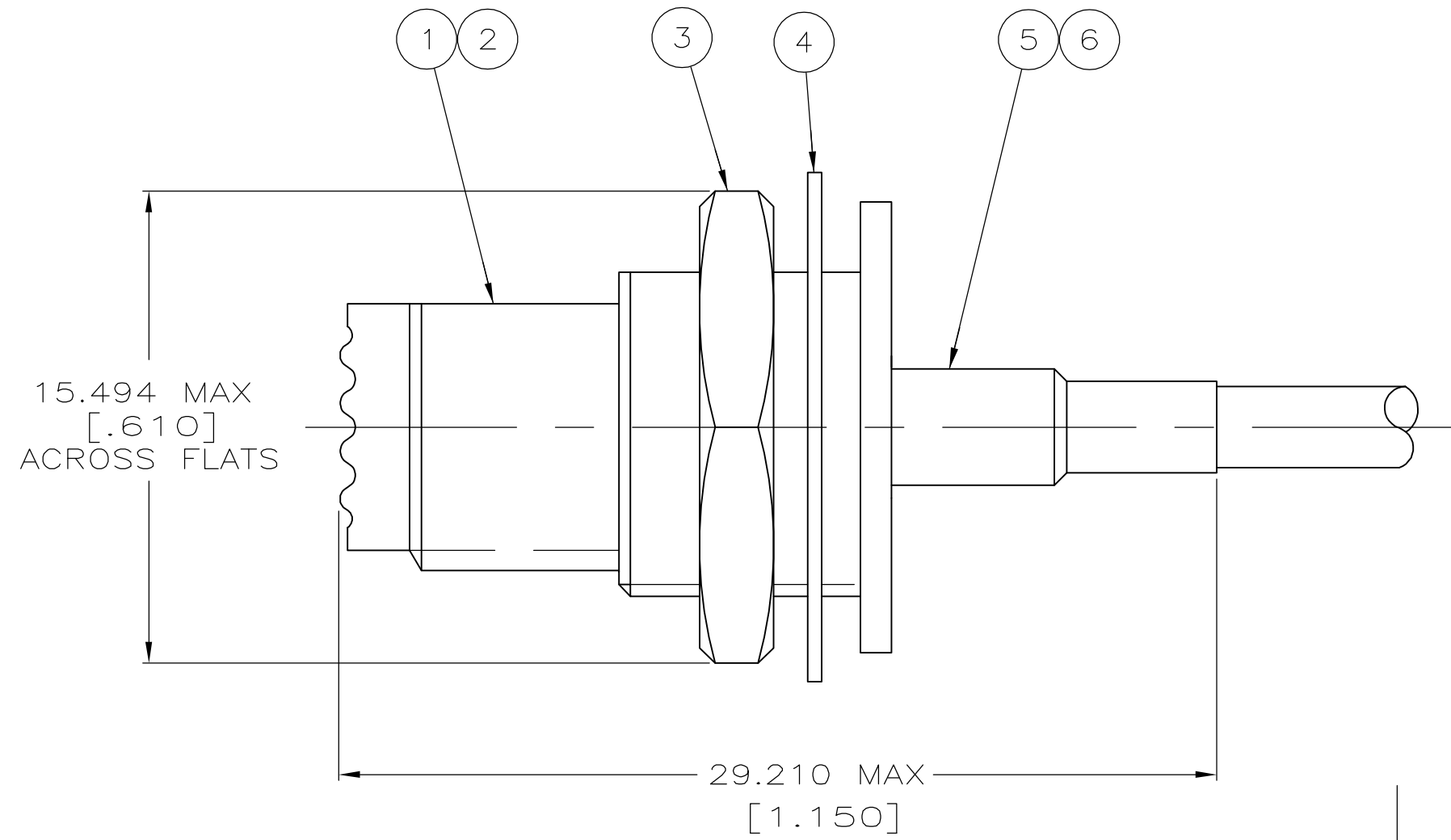


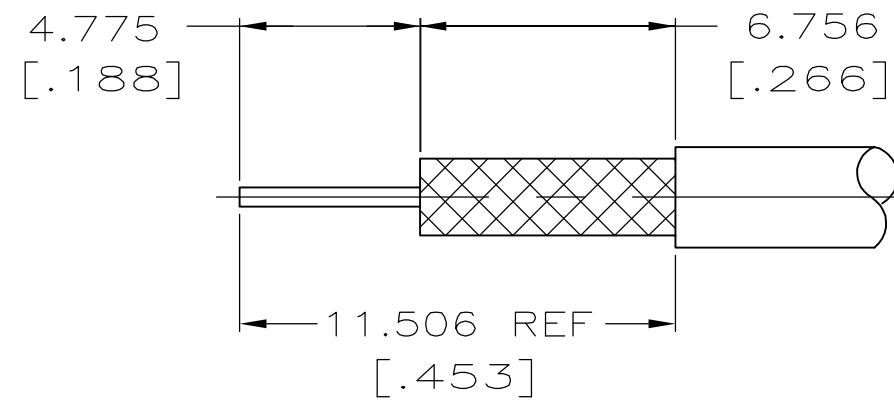
THIS DRAWING IS UNPUBLISHED. RELEASED FOR PUBLICATION
 © COPYRIGHT BY TYCO ELECTRONICS CORPORATION. ALL RIGHTS RESERVED.

LOC	DIST	REVISIONS			
P	LTR	DESCRIPTION	DATE	DWN	APVD
AJ	16	A	REVISED PER EC 0514-0150-05	09NOV2005	REH GM

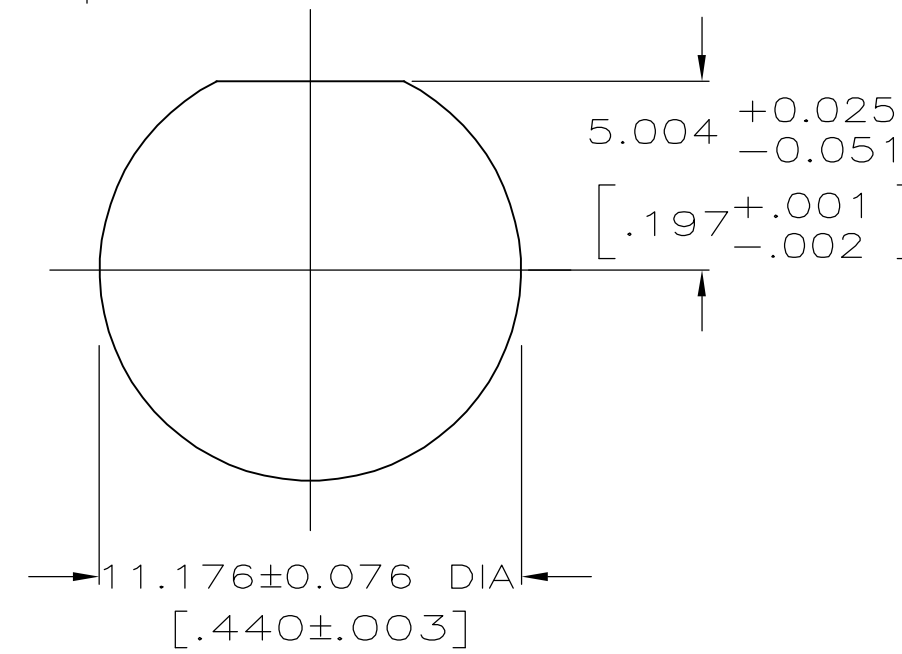


△ USE CRIMP TOOL: 220149-1

- 2. 2.540 [.100] MAX PANEL THICKNESS
- 3. PACKAGED UNASSEMBLED



RECOMMENDED STRIP LENGTH



RECOMMENDED PANEL CUTOUT

△ RG-58/U	228906-1	226599-2	980506-1	228575-2	226610-2	9-228905-0	5414045-1
FOR USE WITH CABLE	⑦ GASKET QTY=1	⑤ FERRULE QTY=1	④ LOCKWASHER QTY=1	③ JAM NUT QTY=1	② CONTACT QTY=1	① JACK, BULKHEAD QTY=1	PART NUMBER

THIS DRAWING IS A CONTROLLED DOCUMENT.		DWN A. FERNANDEZ-DOCK5 22APR2005	Tyco Electronics Corporation Harrisburg, PA 17105-3608	
DIMENSIONS: mm [INCHES]		CHK J. HAVENER 22APR2005		
TOLERANCES UNLESS OTHERWISE SPECIFIED:		APVD G. MICHAEL 22APR2005	NAME JACK, BULKHEAD, MINIATURE UHF	
0 PLC ± - 1 PLC ± - 2 PLC ± - 3 PLC ± 0.406 [.016] 4 PLC ± - ANGLES ± - FINISH -		PRODUCT SPEC -	SIZE A2	CAGE CODE 00779
MATERIAL -		WEIGHT -	DRAWING NO C=5414045	RESTRICTED TO -
CUSTOMER DRAWING			SCALE 5:1	SHEET 1 of 1

X-ON Electronics

Largest Supplier of Electrical and Electronic Components

Click to view similar products for [RF Connectors](#) / [Coaxial Connectors](#) category:

Click to view products by [TE Connectivity](#) manufacturer:

Other Similar products are found below :

[R125315120](#) [8915-1511-000](#) [89674-0827](#) [5916-1103-603](#) [6-0001-3](#) [6001-7071-019](#) [6002-7051-003](#) [6002-7551-202](#) [6059674-1](#) [619550-1](#)
[630059-000](#) [M39012/25-0021](#) [M39012/79-3008](#) [M39030/3-01N](#) [M39030/3-03N](#) [M3933/25-36N](#) [6500-7071-046](#) [M83723/72W24576](#)
[M83723/72W2457N](#) [6769](#) [CX050L2AQ](#) [7002-1541-010](#) [7002-1572-002](#) [7003-1572-002](#) [7010-1511-000](#) [7029-1511-060](#) [7101-1541-010](#)
[7101-1571-002](#) [7105-1521-002](#) [7145-1521-002](#) [7209-1511-011](#) [7210-1511-015](#) [7210-1511-019](#) [7225-1512-050](#) [7242-1511-000](#) [73137-5015](#)
[73251-0111](#) [73251-0672](#) [7325-1512-000](#) [73276-1501](#) [73366-0013](#) [73404-2300](#) [73413-6080](#) [73415-5721](#) [7405-1521-005](#) [7405-1521-802](#)
[7406-1521-005](#) [804S01D04M040](#) [8145-1521-002](#) [81590](#)