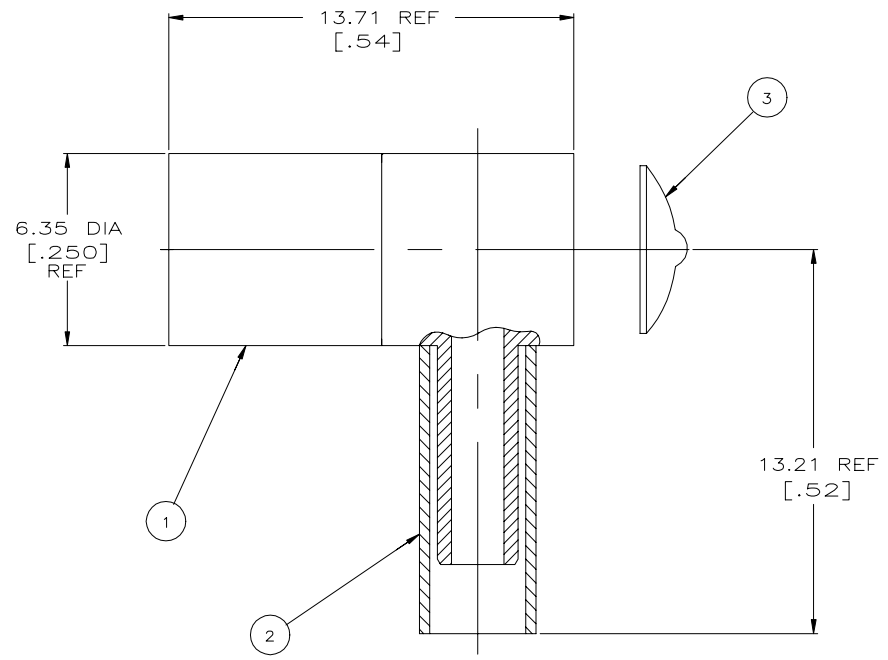
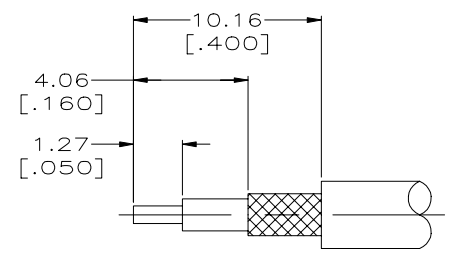


REVISIONS					
P	LTR	DESCRIPTION	DATE	DWN	APVD
	B	REVISED PER ECN-21-102793	23APR2021	RZ	WK



1. INTERFACE PER MIL-C-39012.
2. SEE INSTRUCTION SHEET 408-2987-9.



RECOMMENDED STRIP LENGTHS SCALE NTS

A	58483-1	.105	HX4-1637	414013-3	1-413889-5	9-414364-2	RG 178,196	5414363-8
B	58483-1	.128	HX4-1637	414013-3	3-413889-5	9-414364-1	RG 174,188,316	5414363-5
C	58483-1	.151	HX4-1637	414013-3	3-413889-6	9-414364-0	RG 174,188,316(ALL DBL SHIELDED)	5414363-4
B	58483-1	.128	HX4-1637	414013-3	3-413889-5	9-414364-0	RG 174,188,316	5414363-3
POSITION LETTER	AMP DIE SET	HEX SIZE	DANIELS DIE SET	③ END CAP QTY=1	② FERRULE QTY=1	① PLUG ASSY QTY=1	CABLE	PART NO
PRO-CRIMPER FOR BRAID CRIMP				M 22520/5-01 FOR BRAID CRIMP				

TOOLING INFORMATION

THIS DRAWING IS A CONTROLLED DOCUMENT.

DIMENSIONS: mm [INCHES]	TOLERANCES UNLESS OTHERWISE SPECIFIED: 0 PLC ± - 1 PLC ± - 2 PLC ± 0.25 [.010] 3 PLC ± 0.130 [.005] 4 PLC ANGLES ± - ± 1°
MATERIAL	FINISH

DWN	J. HAVENER	23MAR2005
CHK	J. HAVENER	23MAR2005
APVD	J. HAVENER	23MAR2005
PRODUCT SPEC	-	
APPLICATION SPEC	-	
WEIGHT	0.000000	A3

**STE** TE Connectivity

NAME: PLUG,RTANG CRIMP,HEX CRIMP,SMB

SIZE: A3    CAGE CODE: 00779    DRAWING NO: C=5414363    RESTRICTED TO: -

CUSTOMER DRAWING    SCALE: 8:1    SHEET: 1 of 1    REV: B

## X-ON Electronics

Largest Supplier of Electrical and Electronic Components

*Click to view similar products for [RF Connectors / Coaxial Connectors](#) category:*

*Click to view products by [TE Connectivity](#) manufacturer:*

Other Similar products are found below :

[8915-1511-000](#) [89674-0827](#) [6001-7071-019](#) [6002-7051-003](#) [6002-7551-202](#) [6059674-1](#) [619550-1](#) [630059-000](#) [M39030/3-01N](#) [6500-7071-046](#) [6769](#) [CX050L2AQ](#) [7002-1541-010](#) [7002-1542-011](#) [7004-1512-000](#) [7009-1511-004](#) [7010-1511-000](#) [7029-1511-060](#) [7101-1541-010](#) [7101-1571-002](#) [7145-1521-002](#) [7203-1571-003](#) [7209-1511-011](#) [7210-1511-015](#) [7210-1511-019](#) [73137-5015](#) [73216-2241](#) [73404-2300](#) [7405-1521-005](#) [7405-1521-802](#) [8527](#) [8547](#) [FS11V](#) [877931](#) [8808-1511-001](#) [9049-9513-000](#) [9074-9513-000](#) [9101-9573-002](#) [910A205F](#) [9130-9573-002](#) [PL11SC-026](#) [PL375-33](#) [PL40-5](#) [PL74C-221](#) [PL75MC-217](#) [PL803-7](#) [1200690078](#) [1-201144-1](#) [R107003010W](#) [R110A172100](#)