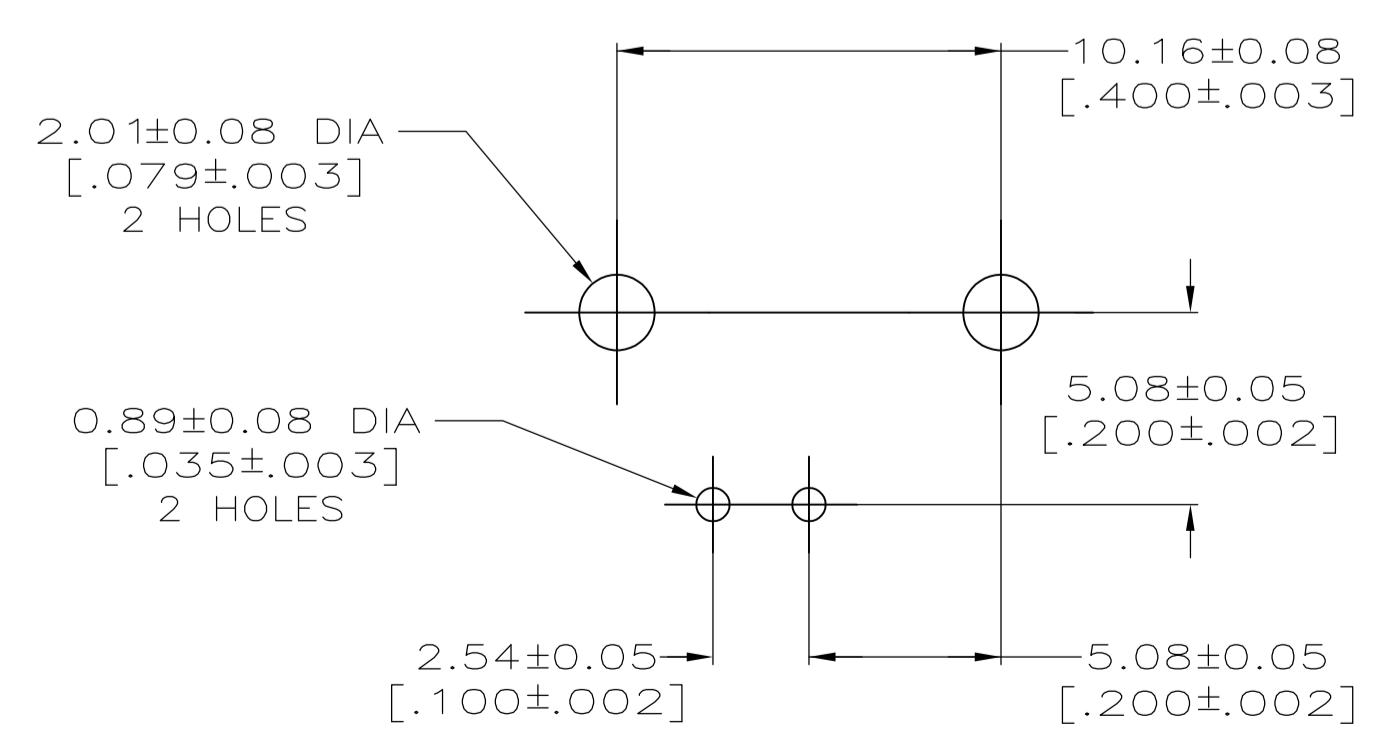
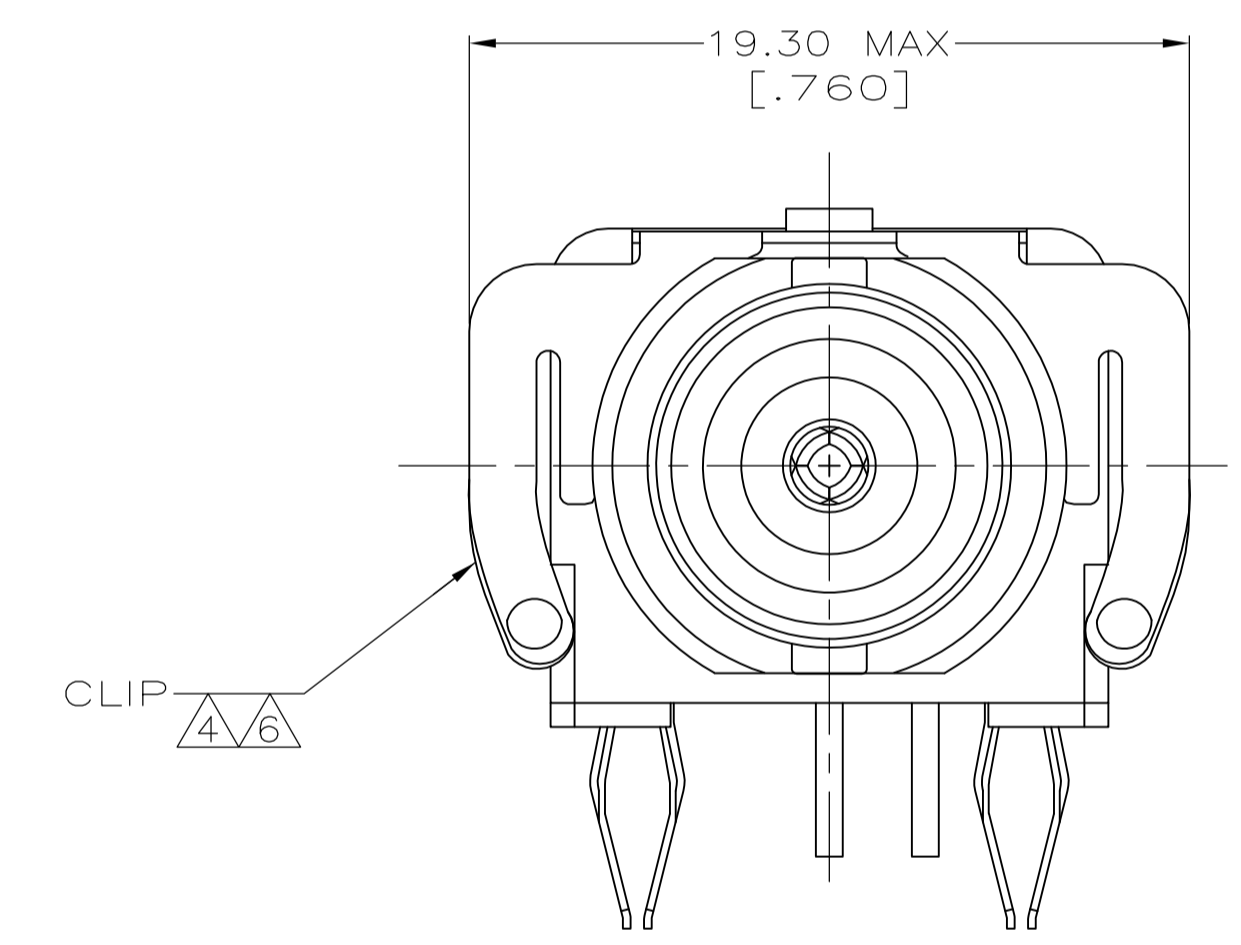
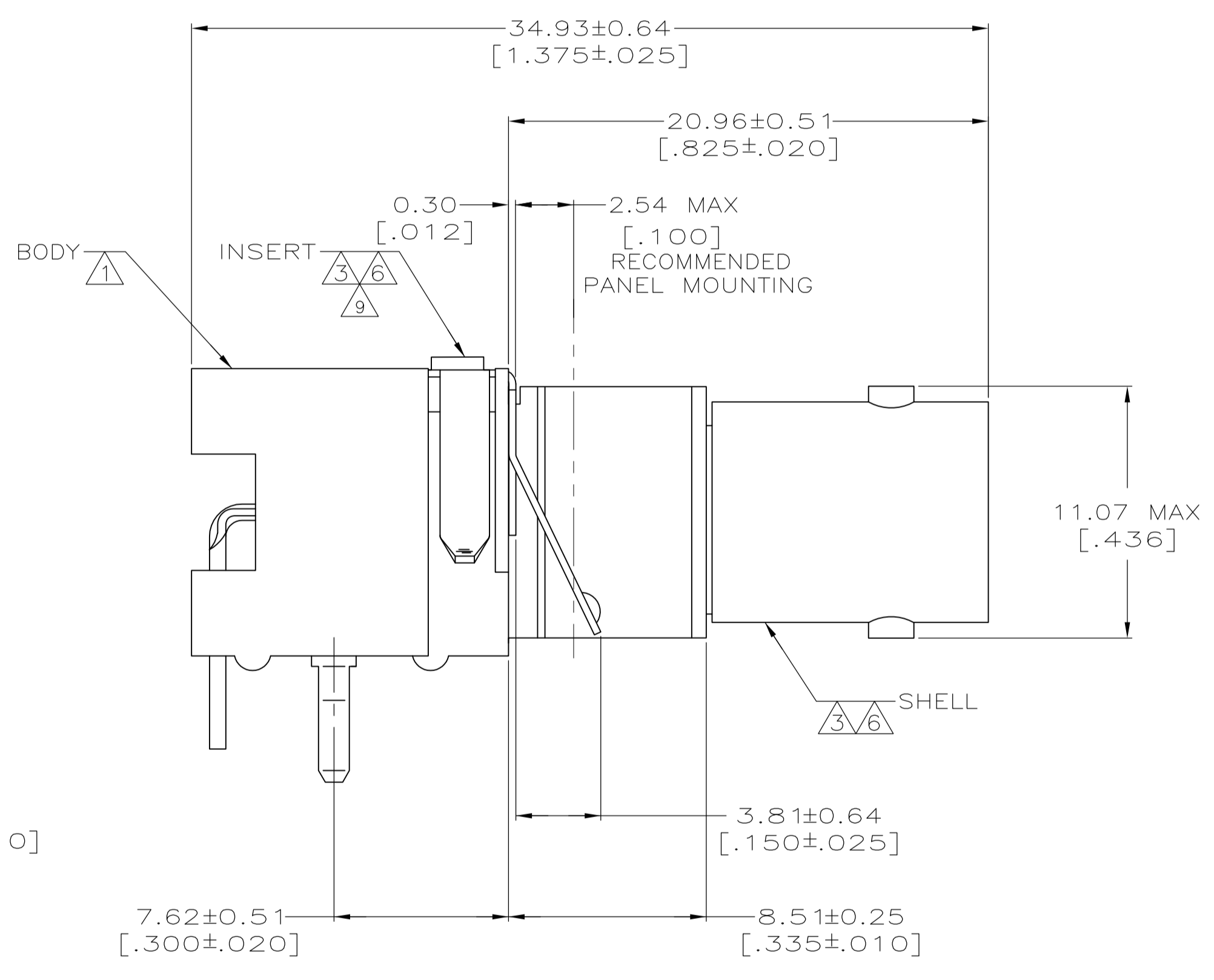
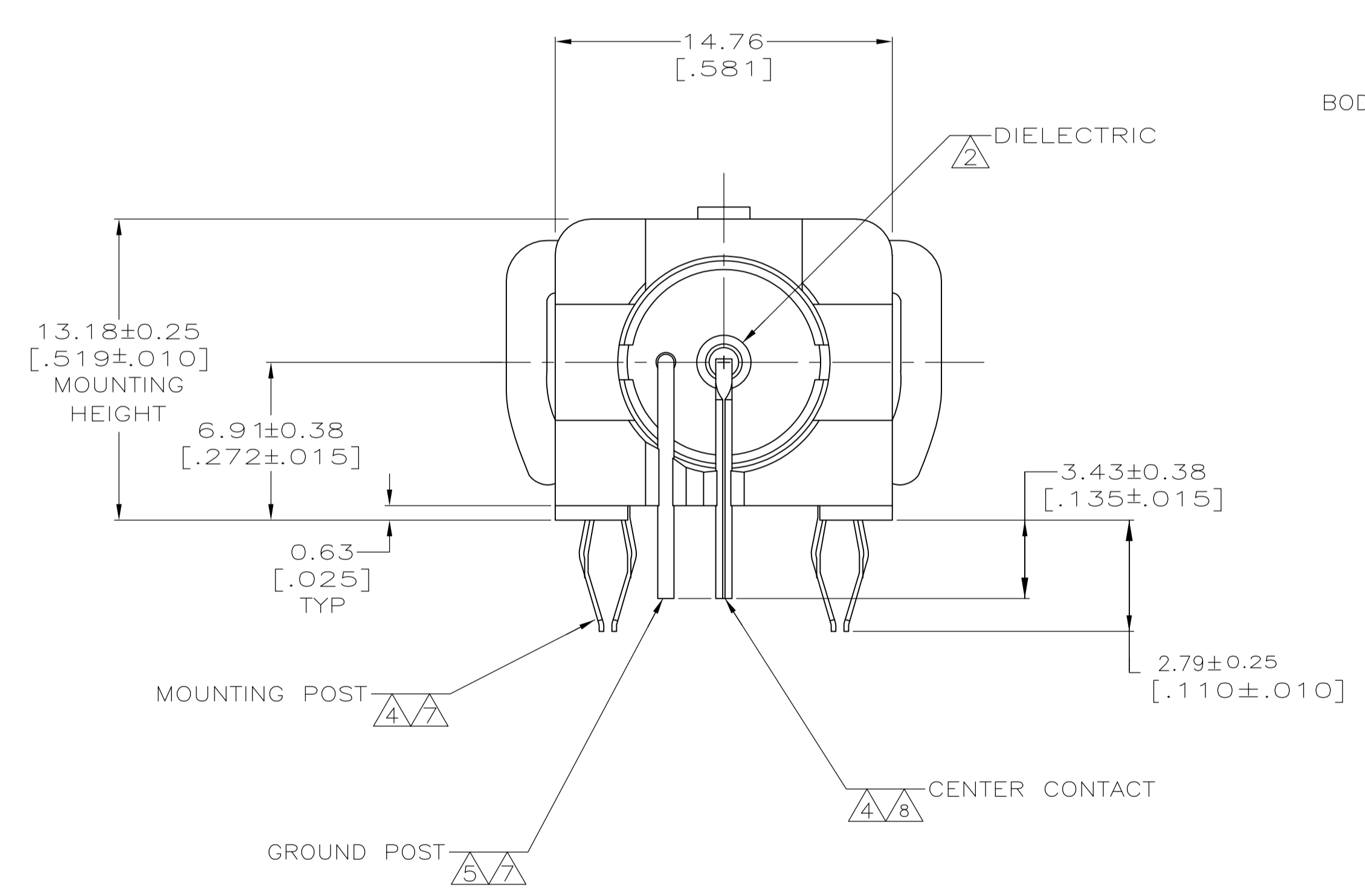
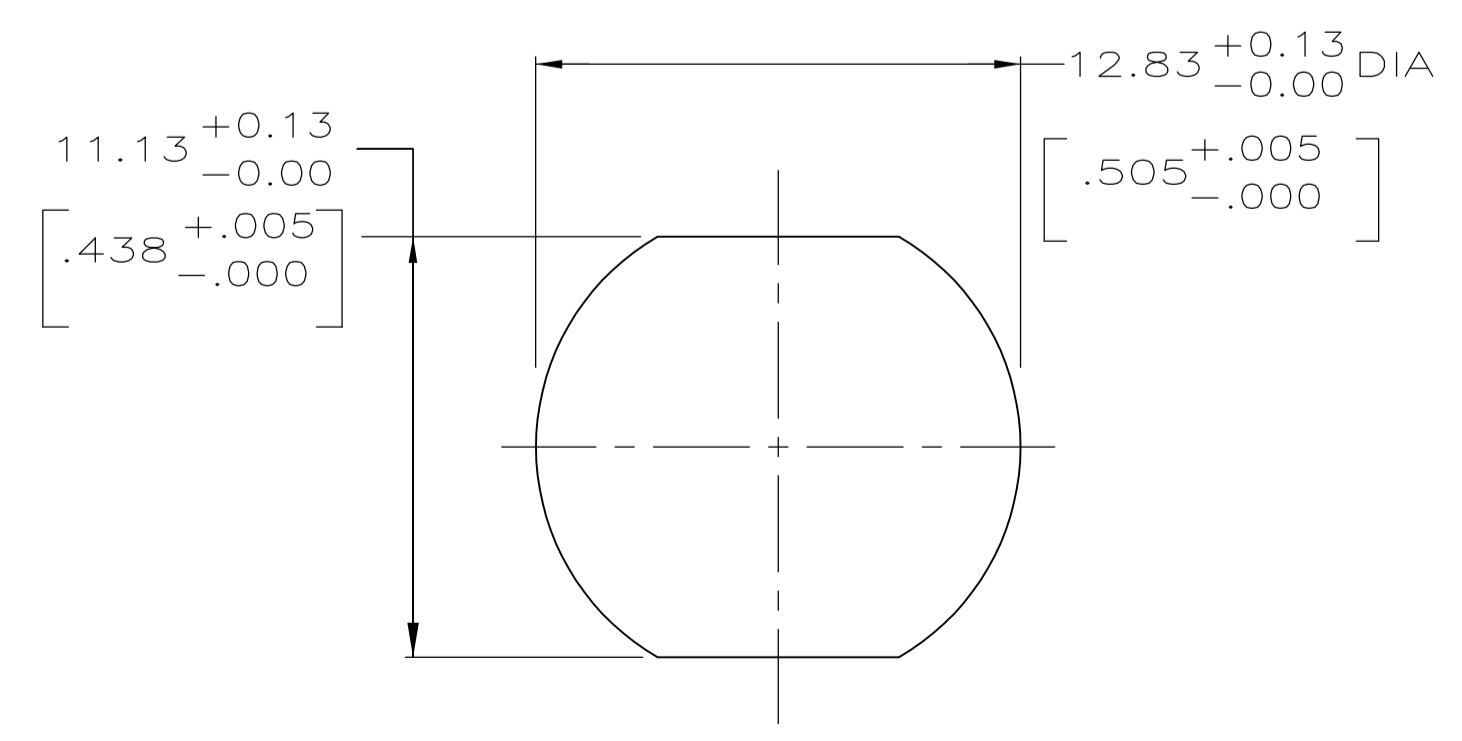


- ① POLYESTER, PBT, BLACK, PER MIL-M-24519.
- ② POLYMETHYLPENTENE GENERAL PURPOSE.
- ③ ZINC PER QQ-Z-363.
- ④ PHOSPHOR BRONZE PER QQ-B-750.
- ⑤ BRASS PER ASTM-B-453.
- ⑥ NICKEL PL PER QQ-N-290.
- ⑦ TIN PLATE PER ASTM-B-545
- ⑧ SELECTIVELY GOLD PLATED ON INTERFACE AREA PER MIL-G-45204, 0.76 [.000030] THK, TIN PLATE ON SOLDER TAIL PER ASTM-B-545, ALL OVER NICKEL PL PER QQ-N-290.
- ⑨ ESD DEVICE, VOLTAGE BREAKDOWN <3.5KVDC.



PCB CONFIGURATION



RECOMMENDED PANEL CUTOUT

7900 pf, 1500 VDC	5414651-3
CAPACITANCE & VOLTAGE	PART NUMBER

THIS DRAWING IS A CONTROLLED DOCUMENT.		DIN B. MCMASTER		Tyco Electronics Corporation	
DIMENSIONS: INCHES		TOLERANCES UNLESS OTHERWISE SPECIFIED:		Tyco Electronics Corporation	
0 PLC	± -	APVD	J. LIPPERT	Harrisburg, Pa 17105-3608	
1 PLC	± -	NAME	J. LIPPERT	JACK, DECOUPLER, PCB	
2 PLC	± 0.20 [.008]	PRODUCT SPEC	108-1269	RIGHT ANGLE, LOW PROFILE,	
3 PLC	± -	APPLICATION SPEC		ESD PROTECTED, BNC	
4 PLC	± -	SIZE	A1	CAGE CODE	DRAWING NO
ANGLES	± -	WEIGHT	000779	SCALE	5:1
MATERIAL SEE NOTES 1 - 5	FINISH SEE NOTES 6-8	RESTRICTED TO	RESTRICTED CUSTOMER	SHEET	1 OF 1
		DRAWING NO		REV	
		5414651		A	

X-ON Electronics

Largest Supplier of Electrical and Electronic Components

Click to view similar products for [RF Connectors / Coaxial Connectors](#) category:

Click to view products by [TE Connectivity](#) manufacturer:

Other Similar products are found below :

[8915-1511-000](#) [89674-0827](#) [6001-7071-019](#) [6002-7051-003](#) [6002-7551-202](#) [6059674-1](#) [619550-1](#) [630059-000](#) [M39030/3-01N](#) [6500-7071-046](#) [6769](#) [CX050L2AQ](#) [7002-1541-010](#) [7002-1542-011](#) [7004-1512-000](#) [7009-1511-004](#) [7010-1511-000](#) [7029-1511-060](#) [7101-1541-010](#) [7101-1571-002](#) [7105-1521-002](#) [7145-1521-002](#) [7203-1571-003](#) [7209-1511-011](#) [7210-1511-015](#) [7210-1511-019](#) [73137-5015](#) [73216-2241](#) [73404-2300](#) [7405-1521-005](#) [7405-1521-802](#) [8527](#) [8547](#) [FS11V](#) [877931](#) [9049-9513-000](#) [9074-9513-000](#) [9101-9573-002](#) [910A205F](#) [9130-9573-002](#) [PL11SC-026](#) [PL375-33](#) [PL40-5](#) [PL74C-221](#) [PL75MC-217](#) [PL803-7](#) [1200690078](#) [1-201144-1](#) [R107003010W](#) [R110A172100](#)