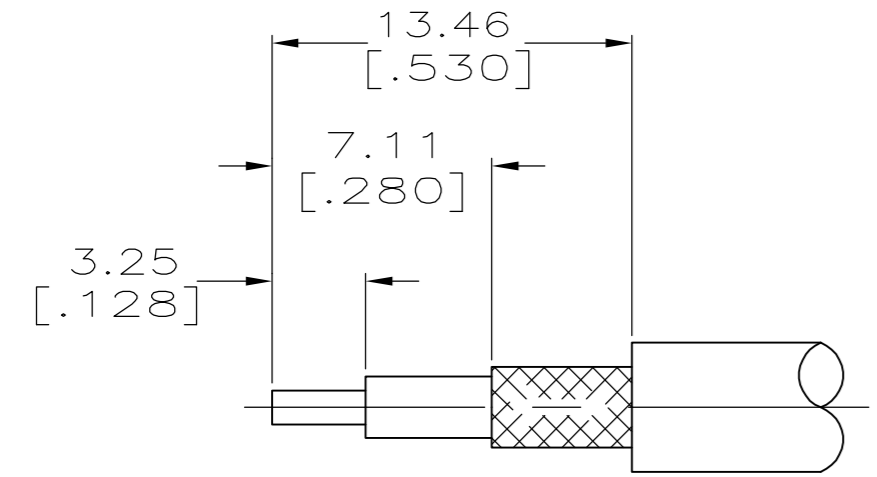
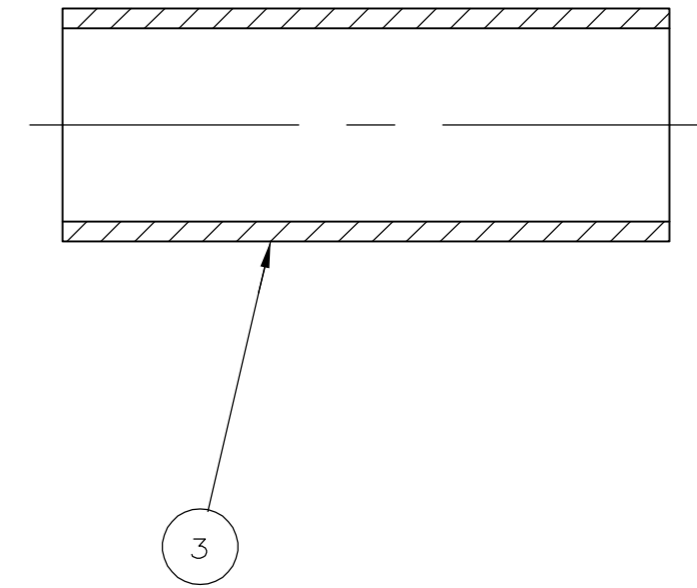
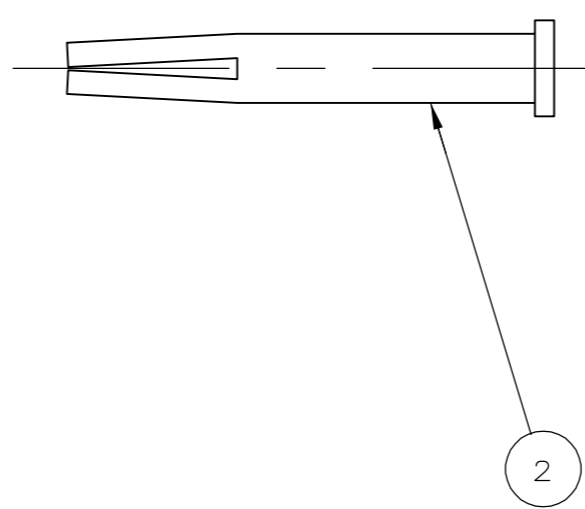
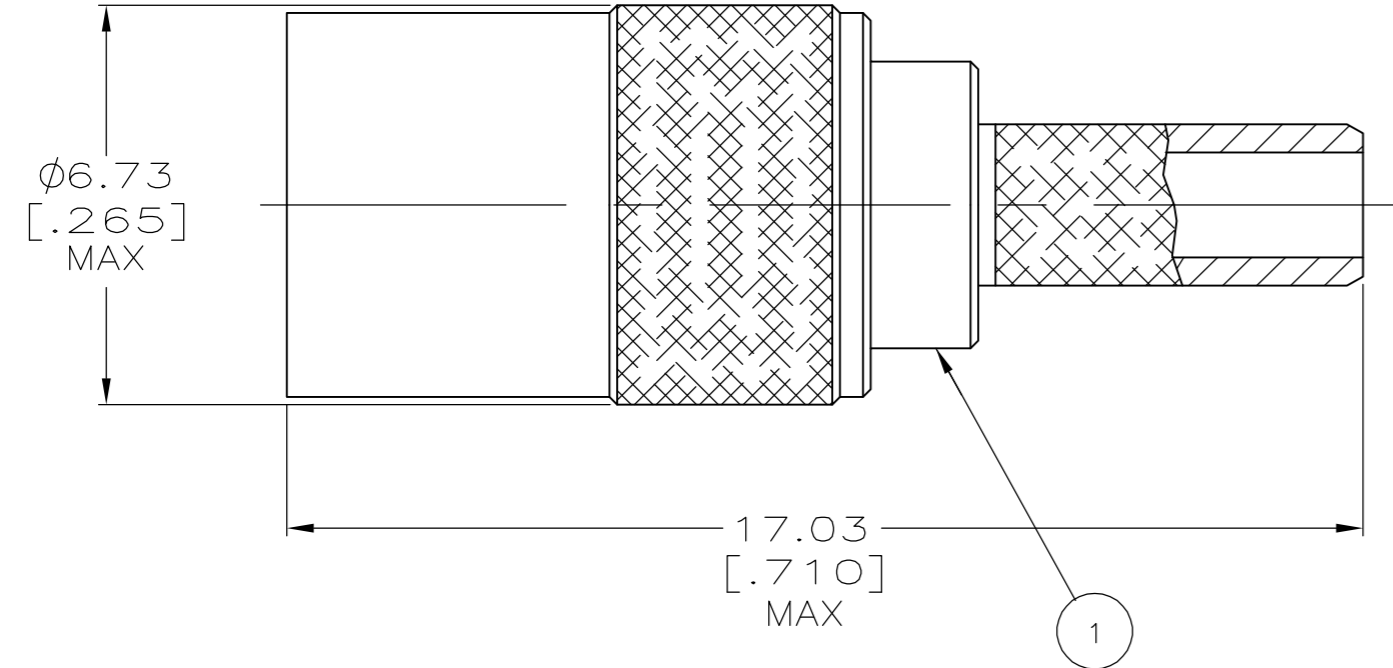


THIS DRAWING IS UNPUBLISHED. RELEASED FOR PUBLICATION
 © COPYRIGHT BY TYCO ELECTRONICS CORPORATION. ALL RIGHTS RESERVED.

LOC	DIST	REVISIONS			
P	LTR	DESCRIPTION	DATE	DWN	APVD
AJ	16	B2	REVISED PER ECO 05-015746	15MAY06	GB JH



RECOMMENDED STRIP LENGTHS
SCALE NTS



- △ FINISHES:
 BODY: NICKEL PLATE PER QQ-N-290
 CONTACT: GOLD PLATE PER ASTM B 488
 OUTER CONTACT: GOLD PLATE PER ASTM B 488
- △ FINISHES:
 BODY: NICKEL PLATE PER QQ-N-290
 CONTACT: GOLD PLATE PER ASTM B 488
 OUTER CONTACT: NICKEL PLATE PER QQ-N-290
- 3. INTERFACE PER MIL-C-39012.
- 4. SEE I.S. SHEET 408-2987-12.

B	58483-1	.128	HX4-1637	4	K699	△1	RG-179	9-446556-1	228278-4	9-414958-0	1-5414946-1						
B	58483-1	.128	HX4-1637	4	K699	△2	RG-179	1-413889-3	228278-4	9-414958-1	5414946-6						
B	58483-1	.128	HX4-1637	4	K699	△1	RG-179	1-413889-3	228278-4	9-414958-0	5414946-5						
C	58483-1	.151	HX4-1637	4	K699	△1	RD-316	1-413889-4	228203-4	9-414958-0	5414946-3						
B	58483-1	.128	HX4-1637	4	K699	△2	RG-316 & RG-174	1-413889-3	228203-4	9-414958-1	5414946-2						
POSITION LETTER	AMP DIE SET	HEX SIZE	DANIELS DIE SET	SELECTOR NUMBER	DANIELS POSITIONER	NOTES	CABLE	③ FERRULE QTY=1	② CONTACT QTY=1	① PLUG ASSY QTY=1	PART NO						
AMP PRO-CRIMPER FOR BRAID CRIMP						M 22520/5-01 FOR BRAID CRIMP						M 22520/2-01 FOR CONTACT CRIMP					
TOOLING INFORMATION																	

THIS DRAWING IS A CONTROLLED DOCUMENT.

DIMENSIONS: mm [INCHES]	TOLERANCES UNLESS OTHERWISE SPECIFIED:	DWN G. ATTADIA - DOCK5 01FEB2005	CHK J. HAVENER 01FEB2005	APVD J. HAVENER 01FEB2005	NAME
0 PLC ± -	1 PLC ± -	Tyco Electronics Corporation			50 OHM PLUG ASSY, STRAIGHT, CABLE MOUNT, SMB
2 PLC ± 0.25 [.010]	3 PLC ± -	Harrisburg, PA 17105-3608			SIZE A2
4 PLC ± -	ANGLES ± -	DRAWING NO C=5414946			RESTRICTED TO -
MATERIAL -	FINISH SEE TABLE	WEIGHT -	SCALE 8:1	SHEET 1 of 1	REV B2

CUSTOMER DRAWING

X-ON Electronics

Largest Supplier of Electrical and Electronic Components

Click to view similar products for [RF Connectors](#) / [Coaxial Connectors](#) category:

Click to view products by [TE Connectivity](#) manufacturer:

Other Similar products are found below :

[8915-1511-000](#) [89674-0827](#) [6001-7071-019](#) [6002-7051-003](#) [6002-7551-202](#) [6059674-1](#) [619550-1](#) [630059-000](#) [M39030/3-01N](#) [6500-7071-046](#) [6769](#) [CX050L2AQ](#) [7002-1541-010](#) [7002-1542-011](#) [7004-1512-000](#) [7009-1511-004](#) [7010-1511-000](#) [7029-1511-060](#) [7101-1541-010](#) [7101-1571-002](#) [7145-1521-002](#) [7203-1571-003](#) [7209-1511-011](#) [7210-1511-015](#) [7210-1511-019](#) [73137-5015](#) [73216-2241](#) [73404-2300](#) [7405-1521-005](#) [7405-1521-802](#) [8527](#) [8547](#) [FS11V](#) [877931](#) [8808-1511-001](#) [9049-9513-000](#) [9074-9513-000](#) [9101-9573-002](#) [910A205F](#) [9130-9573-002](#) [PL11SC-026](#) [PL375-33](#) [PL40-5](#) [PL74C-221](#) [PL75MC-217](#) [PL803-7](#) [1200690078](#) [1-201144-1](#) [R107003010W](#) [R110A172100](#)