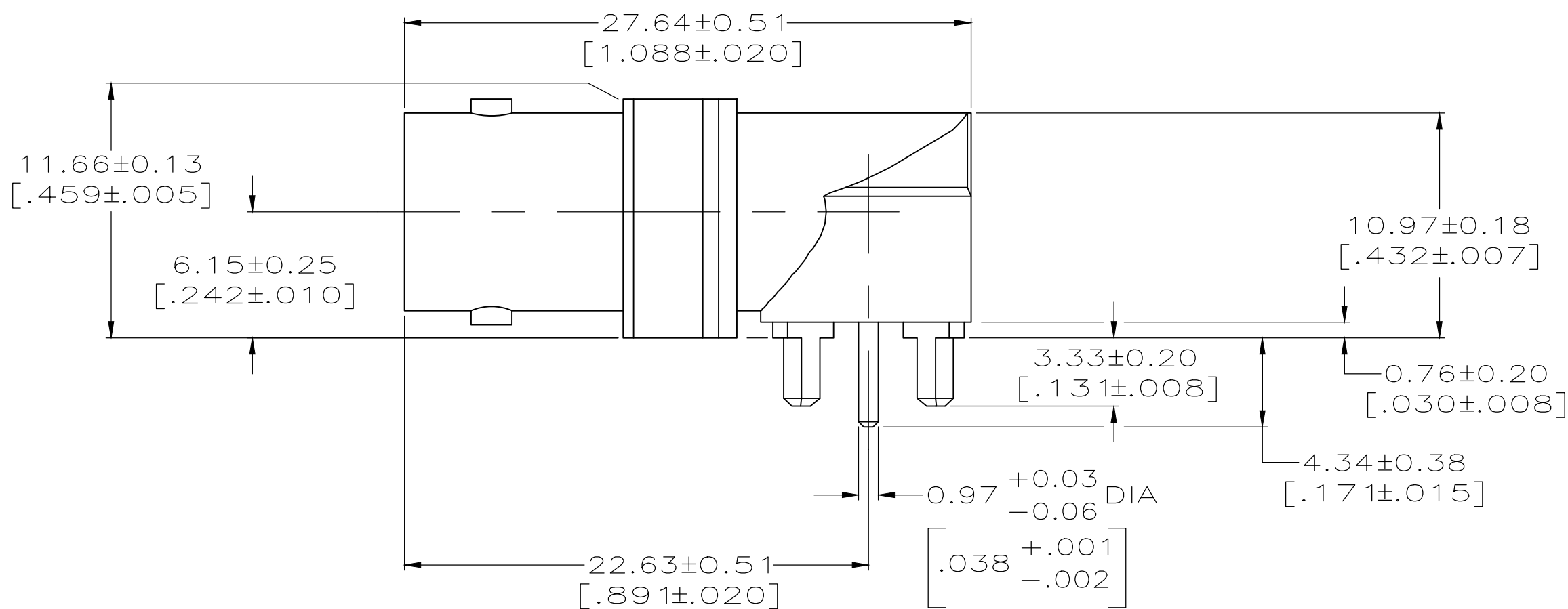
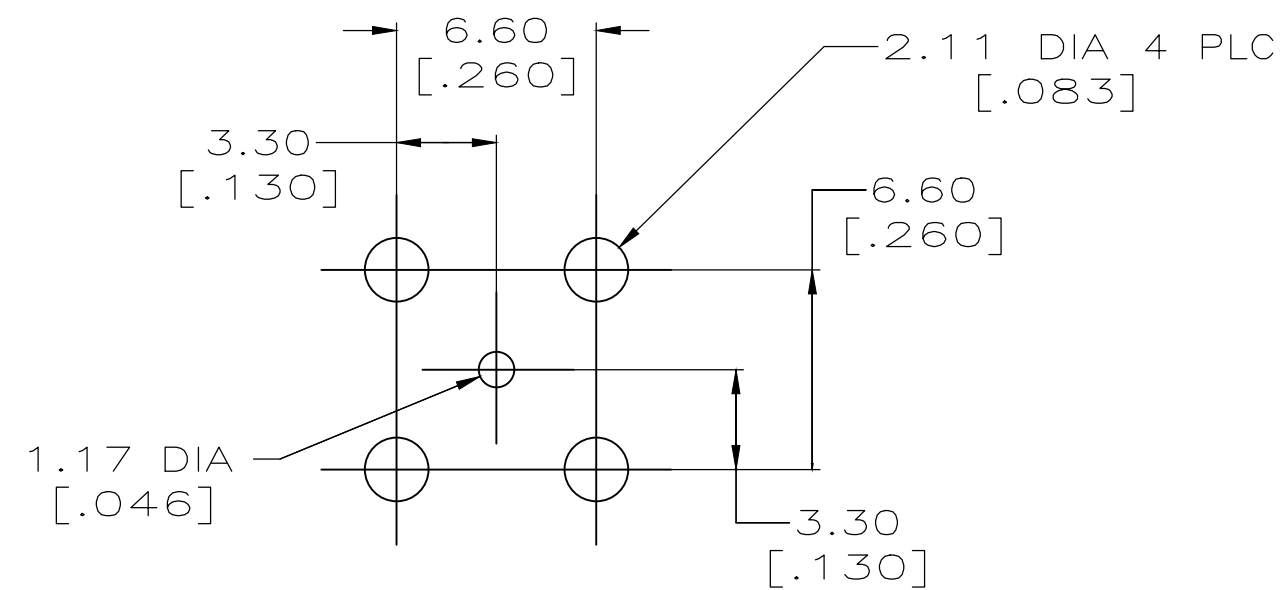
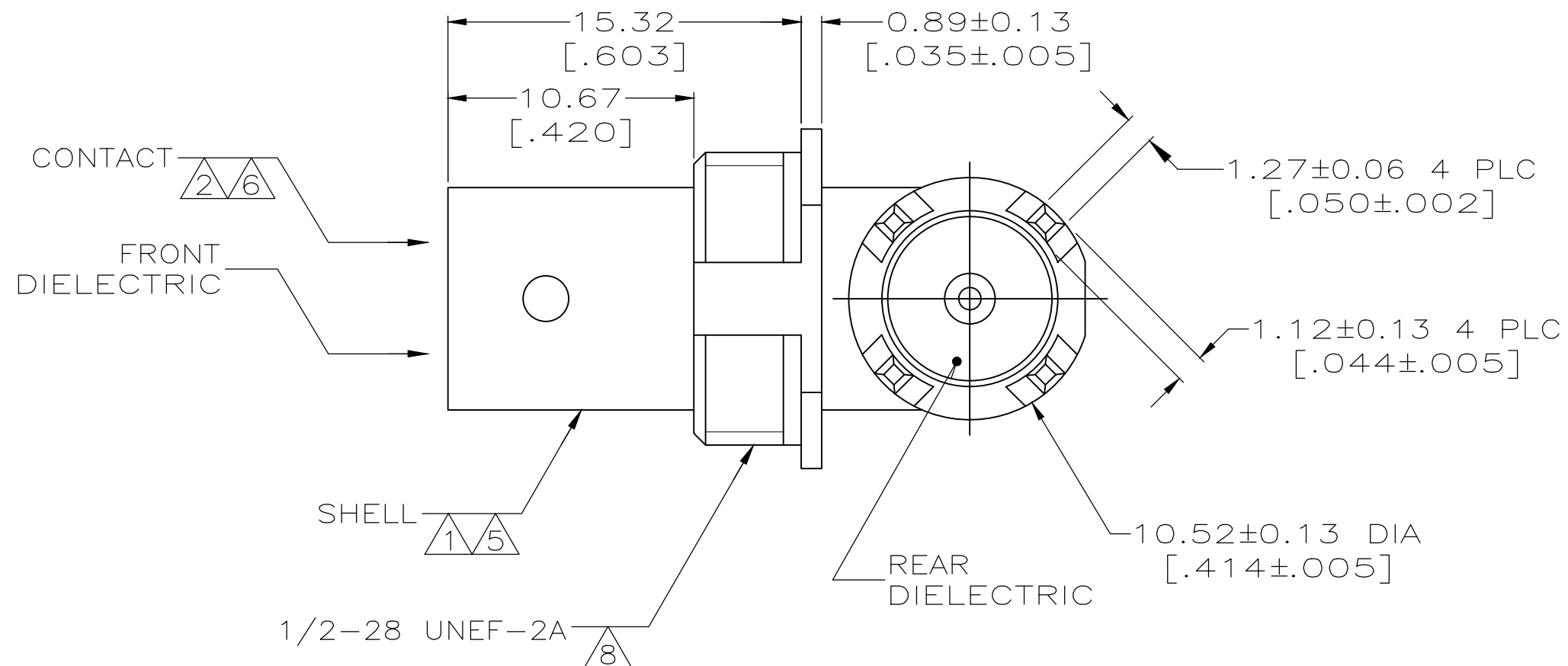


THIS DRAWING IS UNPUBLISHED. RELEASED FOR PUBLICATION
 © COPYRIGHT - By - ALL RIGHTS RESERVED.

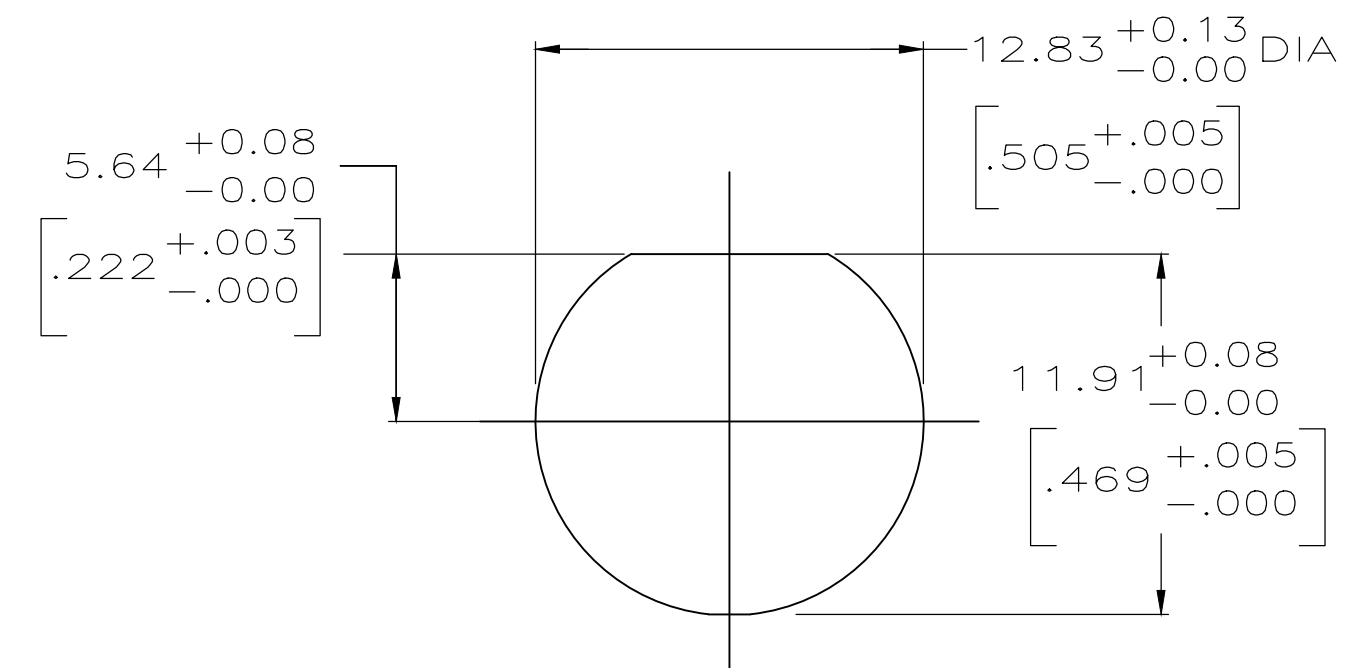
REVISIONS				
P	LTR	DESCRIPTION	DATE	APVD
A2		REVISED PER ECR-15-018489	19JAN2020	RZ RS



- ① ZINC PER QQ-Z-363.
- ② PHOSPHOR BRONZE PER QQ-B-750.
- ③ PTFE PER MIL-P-19468.
- ④ POLYMETHYLPENTENE, GENERAL PURPOSE
- ⑤ TIN PLATE PER ASTM-B-545, 3.81µm [.000150] MINIMUM THICK OVER
- ⑥ GOLD PLATE PER MIL-G-45204, 0.20µm [.000008] MINIMUM THICK.
- ⑦ INTERFACE PER MIL-C-39012
- ⑧ MODIFIED MAJOR DIAMETER TO 12.29 [.484]



PCB CONFIGURATION



RECOMMENDED PANEL CUTOUT

③	③	5415025-2
③	④	5415025-1
REAR	FRONT	PART NUMBER
DIELECTRIC MATERIAL		

THIS DRAWING IS A CONTROLLED DOCUMENT.		DWN G. ATTADIA - DOCK5 01FEB2005		
DIMENSIONS: mm [INCHES]		CHK J. HAVENER 01FEB2005		
TOLERANCES UNLESS OTHERWISE SPECIFIED:		APVD J. LIPPERT 01FEB2005	NAME	
0 PLC ± -	1 PLC ± -	PRODUCT SPEC 108-12078	JACK, RIGHT ANGLE, 50 OHM, PCB, BNC	
2 PLC ± 0.08 [.003]	3 PLC ± -	APPLICATION SPEC -	SIZE A2	CAGE CODE 00779
4 PLC ± -	ANGLES ± -	MATERIAL	DRAWING NO C=5415025	RESTRICTED TO -
SEE NOTES 1-4	SEE NOTES 5, 6	FINISH	WEIGHT 0.000000	SCALE 4:1
CUSTOMER DRAWING		SHEET 1 of 1		REV A2

5415025

X-ON Electronics

Largest Supplier of Electrical and Electronic Components

Click to view similar products for [RF Connectors / Coaxial Connectors](#) category:

Click to view products by [TE Connectivity](#) manufacturer:

Other Similar products are found below :

[8915-1511-000](#) [89674-0827](#) [6001-7071-019](#) [6002-7051-003](#) [6002-7551-202](#) [6059674-1](#) [619550-1](#) [630059-000](#) [M39030/3-01N](#) [6500-7071-046](#) [6769](#) [CX050L2AQ](#) [7002-1541-010](#) [7002-1542-011](#) [7004-1512-000](#) [7009-1511-004](#) [7010-1511-000](#) [7029-1511-060](#) [7101-1541-010](#) [7101-1571-002](#) [7145-1521-002](#) [7203-1571-003](#) [7209-1511-011](#) [7210-1511-015](#) [7210-1511-019](#) [73137-5015](#) [73216-2241](#) [73404-2300](#) [7405-1521-005](#) [7405-1521-802](#) [8527](#) [8547](#) [FS11V](#) [877931](#) [8808-1511-001](#) [9049-9513-000](#) [9074-9513-000](#) [9101-9573-002](#) [910A205F](#) [9130-9573-002](#) [PL11SC-026](#) [PL375-33](#) [PL40-5](#) [PL74C-221](#) [PL75MC-217](#) [PL803-7](#) [1200690078](#) [1-201144-1](#) [R107003010W](#) [R110A172100](#)