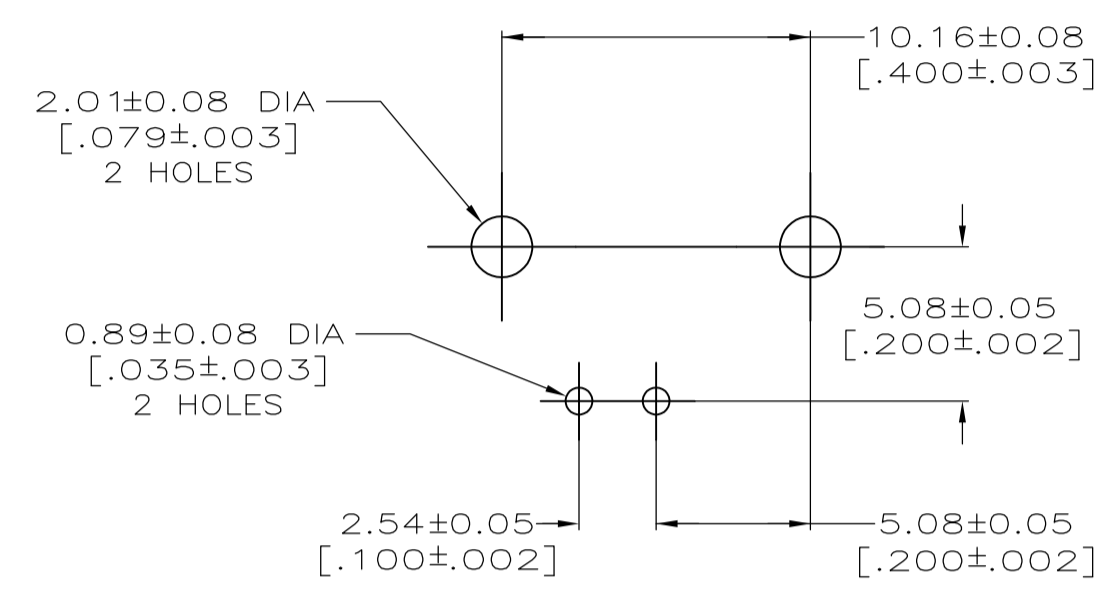
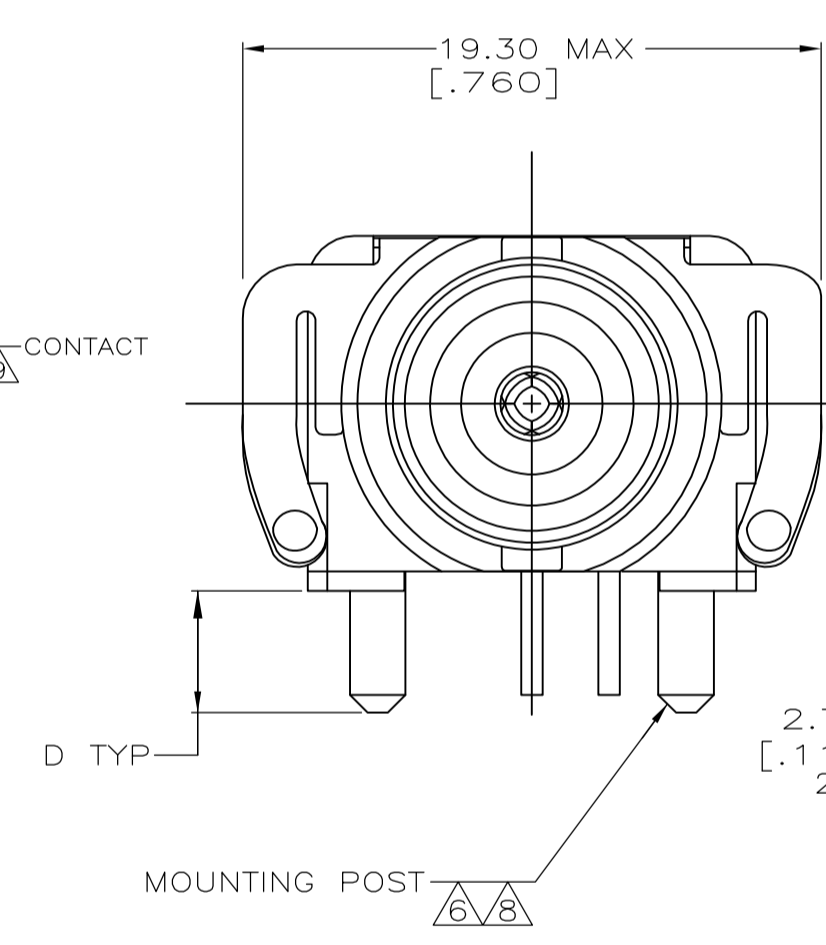
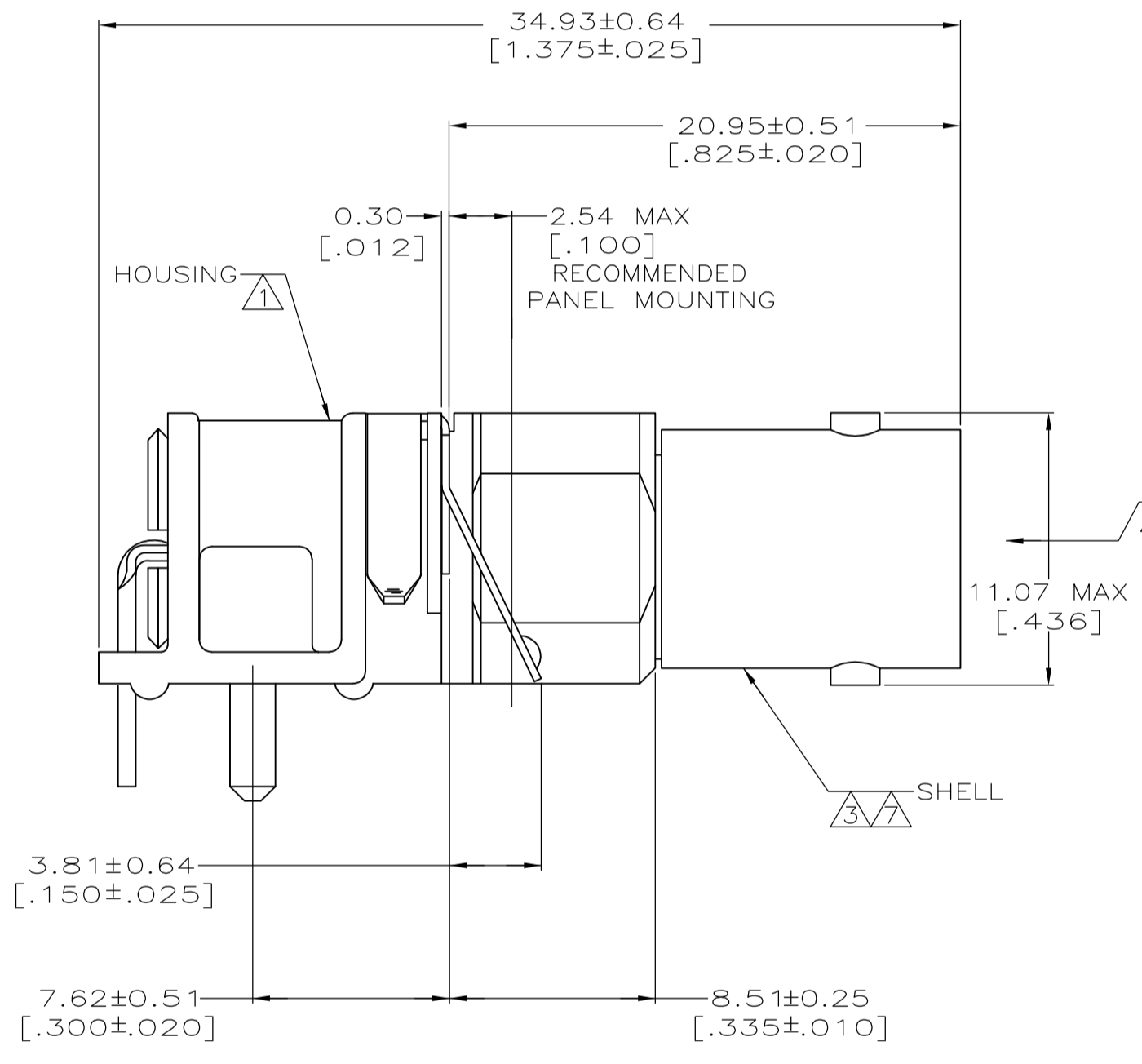
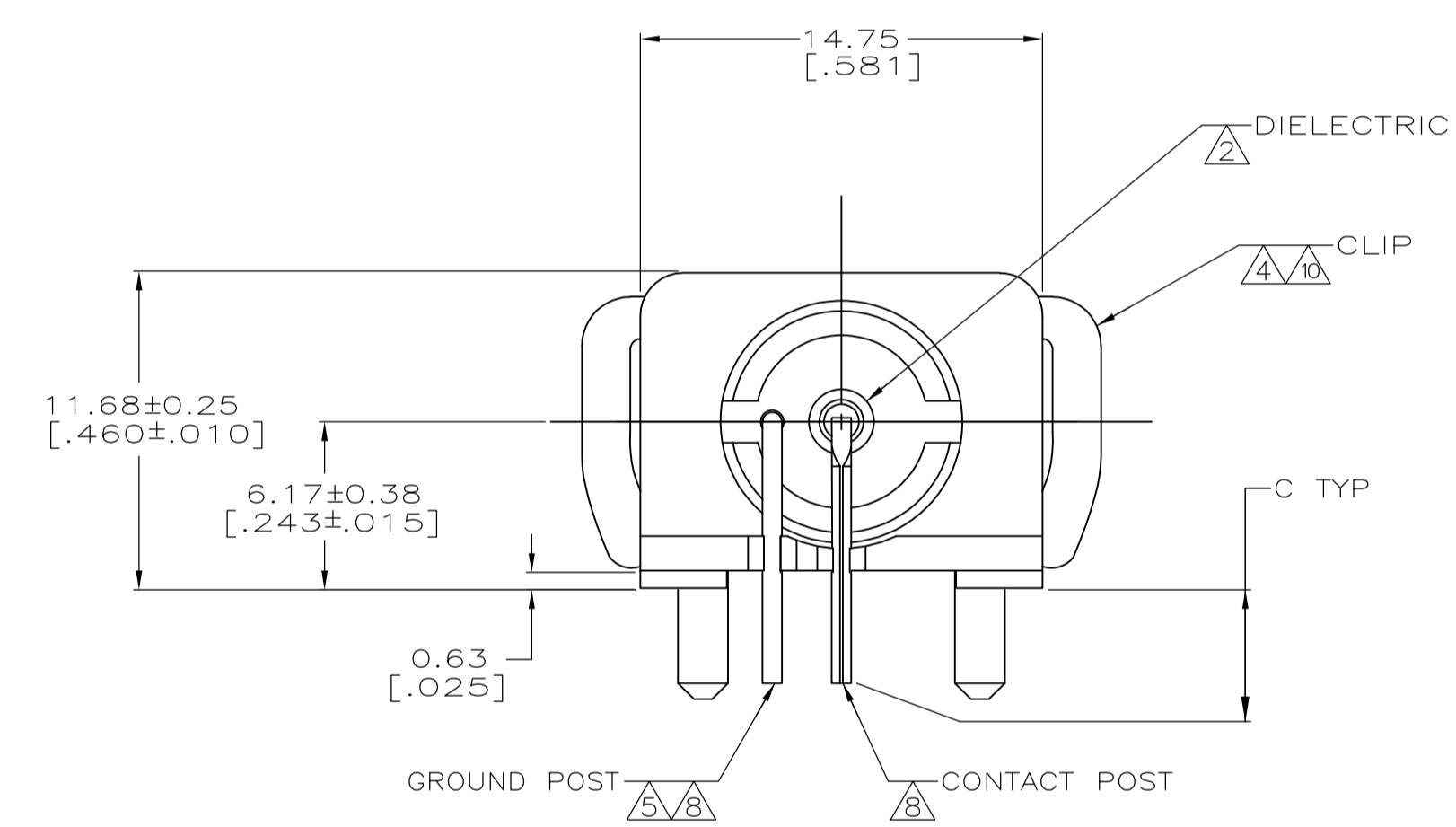
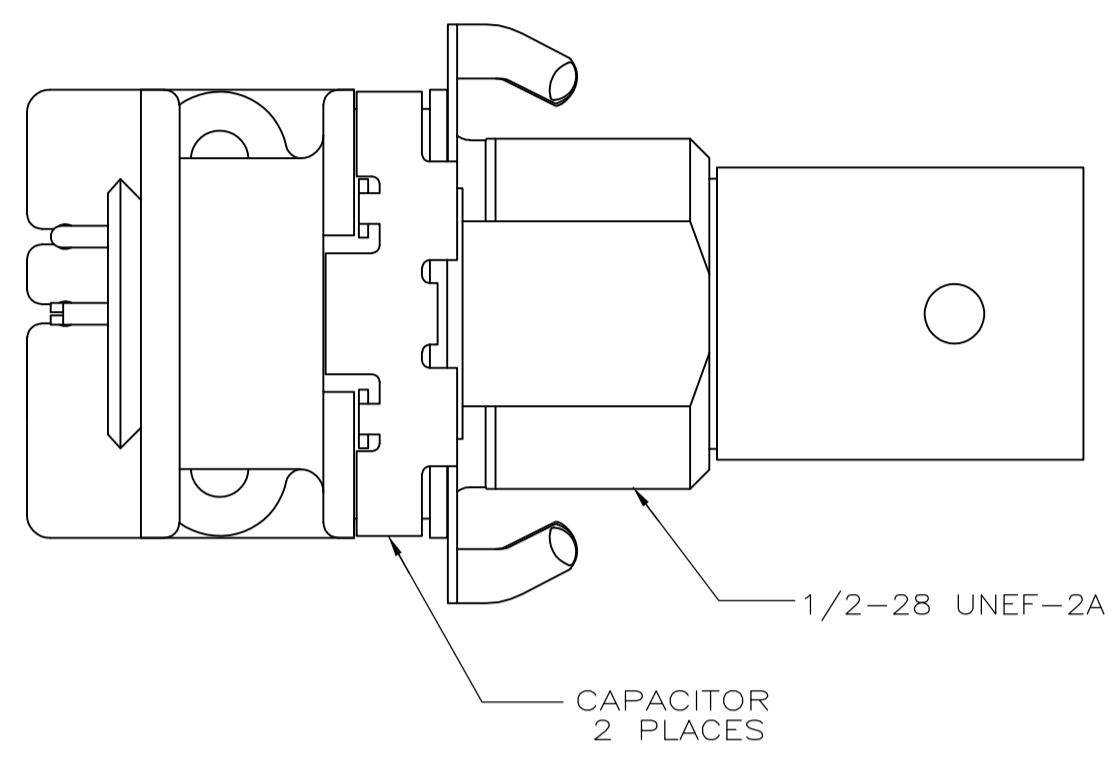


REVISONS		DATE	BY	APPV
REV PER ECO 08-009474		7/22/2008	DW	JL
REVISED PER ECO-10-000444		19JAN10	KK	HMR

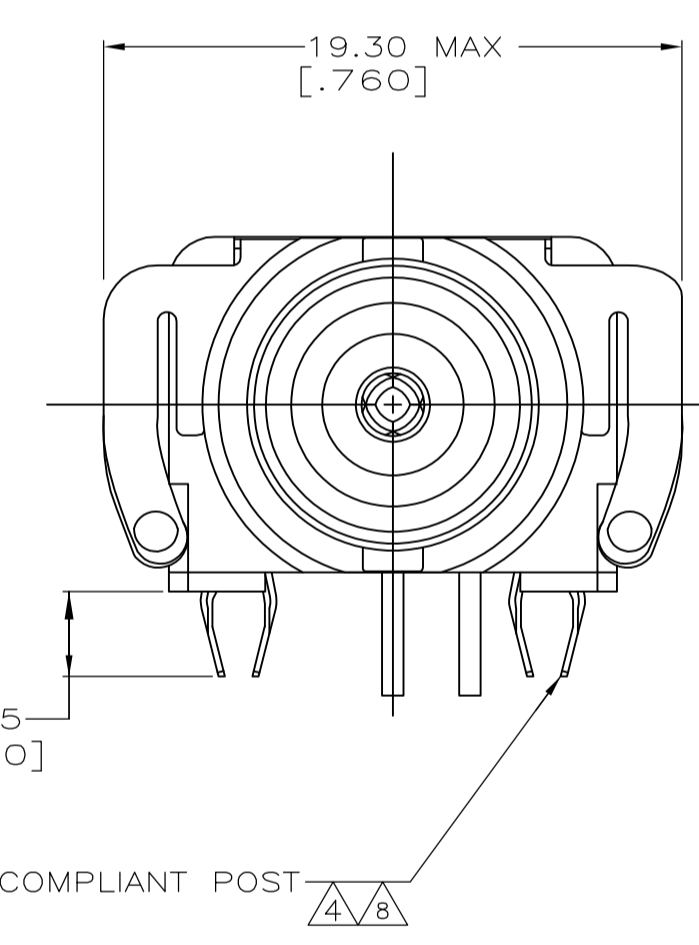
- 1 POLYESTER PBT PER MIL-M-24519, TYPE GPT-15F, UL94V-0 RATED, COLOR:BLACK
- 2 POLYMETHYLPENTENE, GENERAL PURPOSE.
- 3 ZINC PER QQ-Z-363.
- 4 PHOSPHOR BRONZE PER QQ-B-750.
- 5 BRASS PER ASTM B 453.
- 6 BRASS PER ASTM B 16.
- 7 NICKEL PLATE PER QQ-N-290, 3.81 μm [.000150] MINIMUM THICK.
- 8 TIN PLATE PER ASTM B 545.
- 9 GOLD PLATE PER ASTM B 488, 0.08 μm [.000003] MINIMUM THICK.
- 10 NICKEL PLATE PER QQ-N-290.
- 11. SEE INSTRUCTION SHEET 408-2769.
- 12. CAPACITANCE: 9400 pf  
VOLTAGE: 1500 VDC.
- 13 TRAY PACKAGING.
- 14 OBSOLETE PARTS: OBSOLETE CIS STREAMLINING PER D.RENAUD/D.SINISI



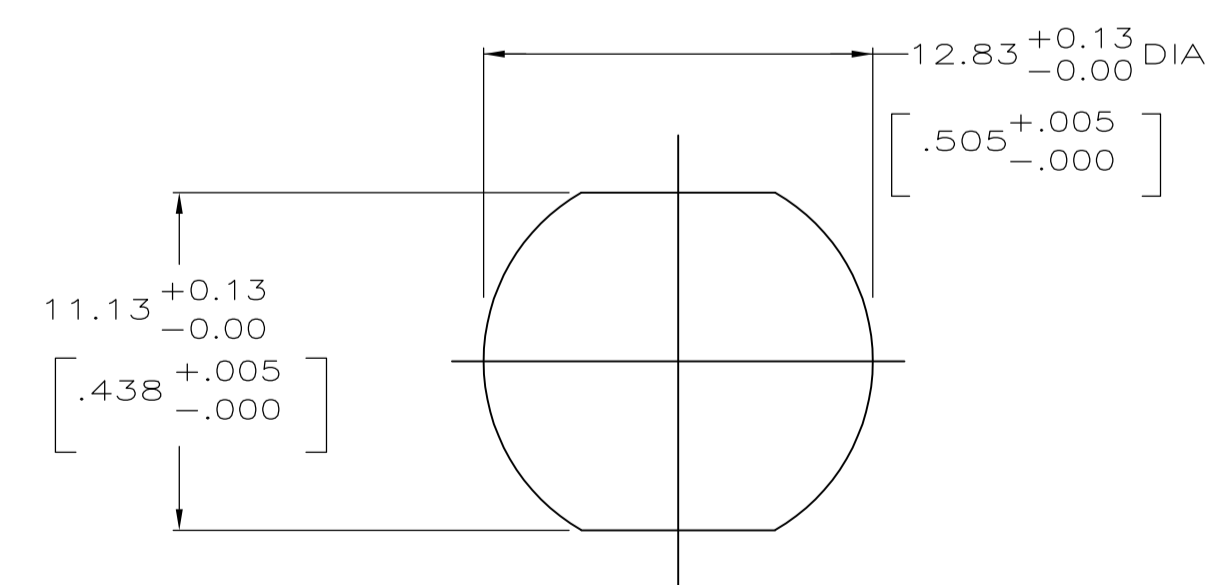
PCB CONFIGURATION



VIEW A



VIEW B



RECOMMENDED PANEL CUTOUT

14	13	OBSOLETE	4.01±0.25 [.158±.010]	3.43±0.38 [.135±.015]	A	-5415103-4-
14	14	OBSOLETE	2.03±0.13 [.080±.005]	2.79±0.25 [.110±.010]	A	-5415103-3-
			-	3.43±0.38 [.135±.015]	B	5415103-2
			4.01±0.25 [.158±.010]	3.43±0.38 [.135±.015]	A	5415103-1
			D	C	VIEW	PART NUMBER

THIS DRAWING IS A CONTROLLED DOCUMENT.

DIMENSIONS: mm [INCHES]	TOLERANCES UNLESS OTHERWISE SPECIFIED:	0 PLC ± -	1 PLC ± -	2 PLC ± 0.20 [.008]	3 PLC ± -	4 PLC ± -	ANGLES ± -	
MATERIAL SEE NOTES 1 - 6	FINISH SEE NOTES 7 - 10	WEIGHT	SCALE	4:1	SHEET	1 of 1	REV	C1

APPROVED: J. HAVENER, J. LIPPERT

NAME: JACK, DECOUPLER, PCB, 75 OHM, RIGHT ANGLE, BNC

SIZE: A1

DRAWING NO: 00779

SCALE: 4:1

SHEET: 1 of 1

REV: C1

RESTRICTED TO: CUSTOMER DRAWING

## X-ON Electronics

Largest Supplier of Electrical and Electronic Components

*Click to view similar products for [RF Connectors / Coaxial Connectors](#) category:*

*Click to view products by [TE Connectivity](#) manufacturer:*

Other Similar products are found below :

[8915-1511-000](#) [89674-0827](#) [6001-7071-019](#) [6002-7051-003](#) [6002-7551-202](#) [6059674-1](#) [619550-1](#) [630059-000](#) [M39030/3-01N](#) [6500-7071-046](#) [6769](#) [CX050L2AQ](#) [7002-1541-010](#) [7002-1542-011](#) [7004-1512-000](#) [7009-1511-004](#) [7010-1511-000](#) [7029-1511-060](#) [7101-1541-010](#) [7101-1571-002](#) [7145-1521-002](#) [7203-1571-003](#) [7209-1511-011](#) [7210-1511-015](#) [7210-1511-019](#) [73137-5015](#) [73216-2241](#) [73404-2300](#) [7405-1521-005](#) [7405-1521-802](#) [8527](#) [8547](#) [FS11V](#) [877931](#) [8808-1511-001](#) [9074-9513-000](#) [9101-9573-002](#) [910A205F](#) [9130-9573-002](#) [PL11SC-026](#) [PL375-33](#) [PL40-5](#) [PL74C-221](#) [PL75MC-217](#) [PL803-7](#) [1200690078](#) [1-201144-1](#) [R107003010W](#) [R110A172100](#) [R112186000](#)