

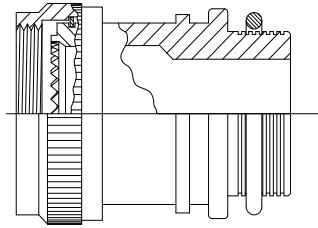
CUSTOMER DRAWING

KIT COMPONENTS:

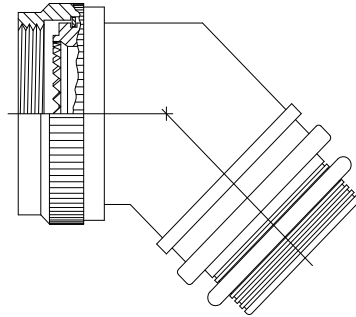
A standard kit shall contain 1 piece each: Adapter, Boot, SolderShield® Splice, Atum tubing (Kit description ends in "A" only)

1. ADAPTER (STRAIGHT, 45 OR 95 DEGREE). Refer to TXR (XX) Adapter drawings for details where (XX) = Adapter Code.

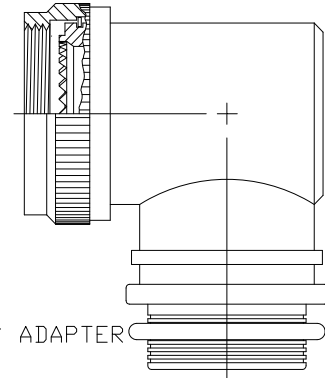
Available Adapter Codes (XX): 15, 18, 21, 30, 32, 40, 41, 54, 61



STRAIGHT ADAPTER

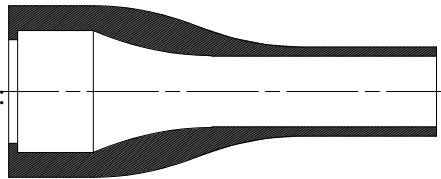


45° ADAPTER

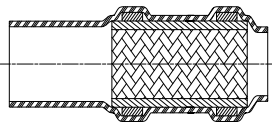


90° ADAPTER

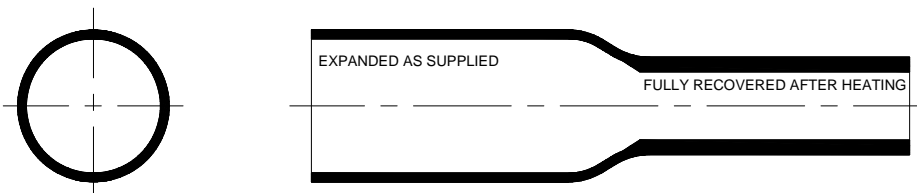
2. MOLDED BOOTS. Available Sizes: 13, 23, 34, 44, 56, 67.



3. SolderShield® SPLICES. Available Sizes: 00, 04, 05, 06, 07, 08, 09, 10, 11, 12, 13, 14, 16. Use code 00 when a non-pre-braided adapter is used. (Pre-Braided Code - 0).



4. SHIM TUBING. (KIT DESCRIPTIONS END WITH LETTER "A" ONLY)



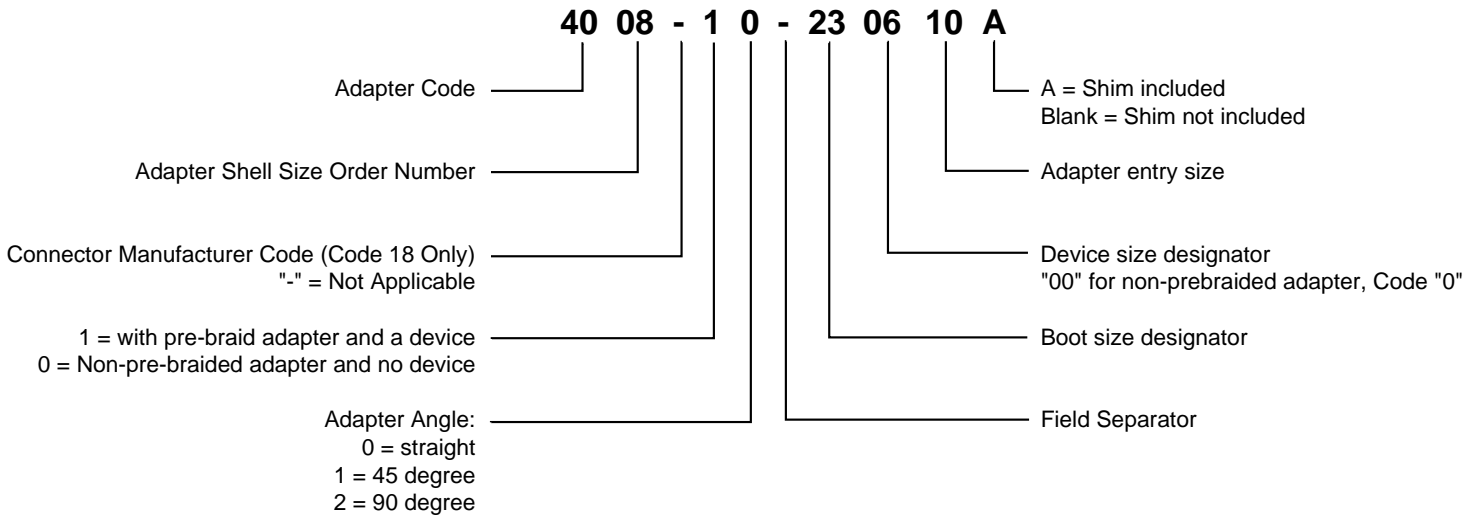
TE TE Connectivity			TITLE: T-FIT ADAPTER AND MOLDED BOOT KITS		
Unless otherwise specified dimensions are in inches. [Metric dimensions are shown in brackets]		Raychem Devices	DOCUMENT NO.: T-FIT-2-12X		
TOLERANCES: 0.00 ± 0.02 MM 0.0 ± 0.2 MM 0 ± 0.5 MM	ANGLES: ± 0°30' ROUGHNESS IN MICRON	Tyco Electronics Corporation reserves the right to amend this drawing at any time. Users should evaluate the suitability of the product for their application.	REV: AN	REV DATE: January 18, 2018	
PREPARED BY: YNGUYEN	CAGE CODE: 06090		ECO NUMBER: ECO-18-000887	SCALE: NTS	SIZE: A

© 2007-2018 TE Connectivity Corp. All Rights Reserved.

If this document is printed it becomes uncontrolled. Check for the latest revision.

CUSTOMER DRAWING

ADAPTER PART NUMBER KEY



Unless otherwise specified dimensions are in millimeters.
(Inches dimensions are shown in brackets)

DOCUMENT NO.: T-FIT-2-12X	REV: AN	ECO NUMBER: ECO-18-000887	DATE: 18-Jan-2018	SHEET: 2 of 2
-------------------------------------	-------------------	-------------------------------------	-----------------------------	-------------------------

If this document is printed it becomes uncontrolled. Check for the latest revision.

X-ON Electronics

Largest Supplier of Electrical and Electronic Components

Click to view similar products for [Heat Shrink Cable Boots & End Caps](#) category:

Click to view products by [TE Connectivity](#) manufacturer:

Other Similar products are found below :

[577159N001](#) [645494-000](#) [CX4132-000](#) [687025-000](#) [705331-000](#) [718446-000](#) [725666N001](#) [729257-000](#) [F27131-000](#) [F85868-000](#) [770-003S106W2](#) [770-013210W1](#) [770-013311](#) [770-013312](#) [806542N001](#) [807507-000](#) [808059-000](#) [808362-000](#) [808618-000](#) [809125-000](#) [809130-000](#) [809218-000](#) [812014-000](#) [812047-000](#) [813166-000](#) [813767N002](#) [814741-000](#) [819117N001](#) [823026-000](#) [823070-000](#) [825002-000](#) [841189N001](#) [861471-000](#) [866647-000](#) [879515-000](#) [937577-000](#) [957073-000](#) [982033-2](#) [A77813-000](#) [R280576000](#) [D96192-000](#) [163549-000](#) [MTPSRBCL-C](#) [1954015-1](#) [200W531-3-0](#) [202A163-4-0-CS5067](#) [202A343-3-00-0](#) [202B221-13-0](#) [202B231-13-0](#) [202B563-25-07-0](#)