

4

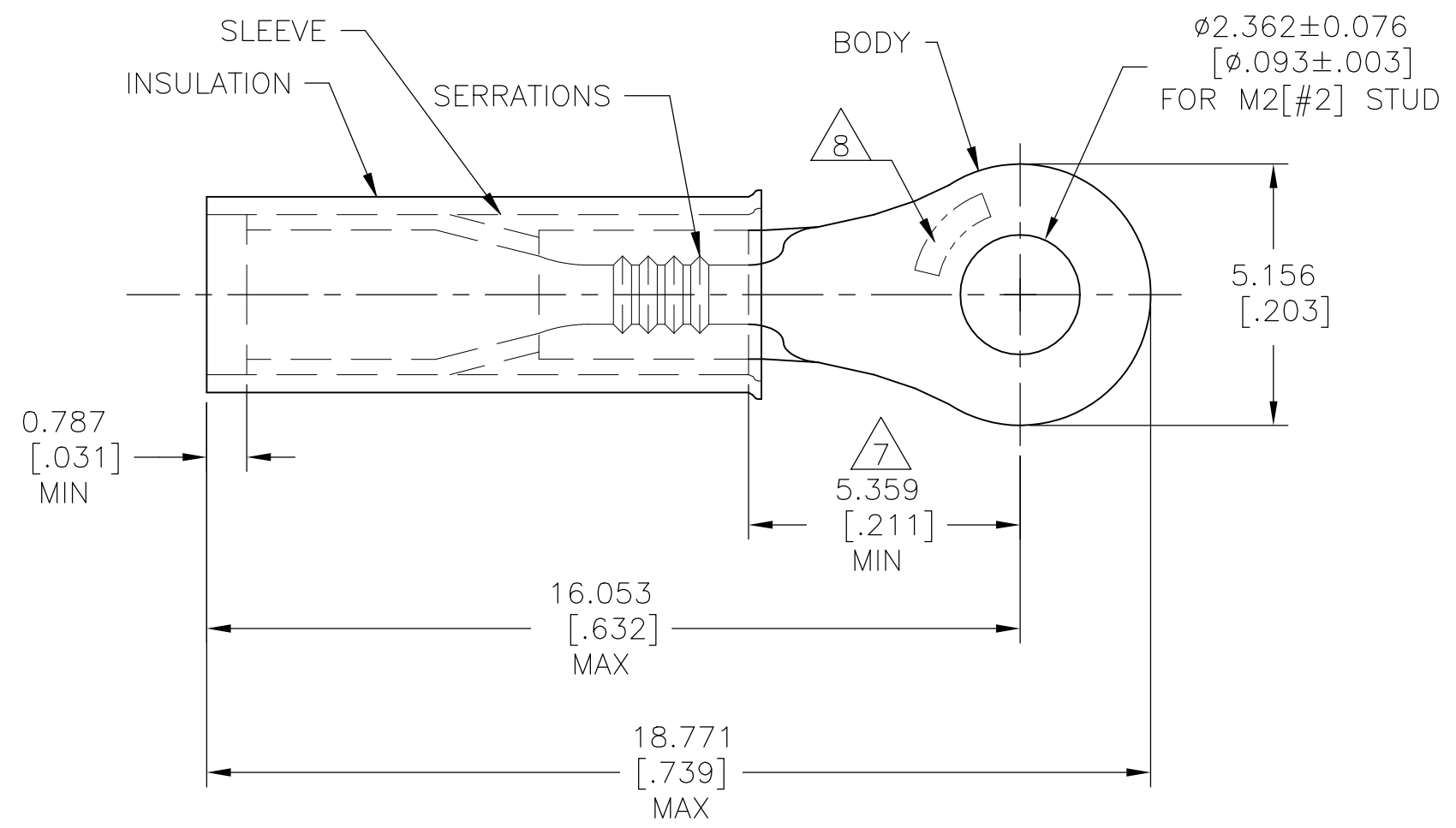
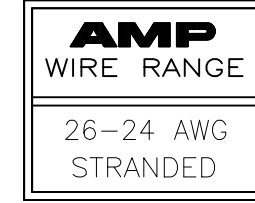
3

2

1

THIS DRAWING IS UNPUBLISHED. RELEASED FOR PUBLICATION  
 © COPYRIGHT - By - ALL RIGHTS RESERVED.

REVISIONS				
P	LTR	DESCRIPTION	DATE	APVD
	C2	REVISED PER ECO-12-005507	21MAR12	KH DR
	C3	REVISED PER ECO-17-008114	29MAY2018	RS DR



- 1 BODY MATERIAL THK IS 0.686±0.025[.027±.001]
- 2 FOR  $\phi 1.270$  TO  $\phi 2.667$ [ $\phi .050$  TO  $\phi .105$ ] WIRE INS.
- 3 MUST BE CRIMPED WITH 22-18 OR 22-16 PIDG (RED) TOOL
- 4 MEETS MS25036-143, CLASS 1 & 2
- 5 MATERIAL:  
BODY AND SLEEVE: COPPER PER ASTM B152  
INSULATION: NYLON
- 6 FINISH:  
BODY AND SLEEVE: TIN PLATE PER ASTM B545  
INSULATION: COLOR, YELLOW
- 7 APPLIES FROM EDGE OF METAL WIRE BARREL TO CENTER OF STUD HOLE
- 8 STAMP AMP APPROX AS SHOWN

LOOSE PIECE	1000	54310-1	4
PACKAGE TYPE	QTY	PART NO	

AMP INCORPORATED  
 CUSTOMER SERVICE SYSTEMS

THIS DRAWING IS A CONTROLLED DOCUMENT.

DWN	JR RUTH	27JAN04
CHK	T MICHIELUTTI	27JAN04
APVD	T MICHIELUTTI	27JAN04



FOR ADDITIONAL PRODUCT INFORMATION OR COPIES OF DRAWINGS AND TECHNICAL DOCUMENTS	PRODUCT INFORMATION CENTER 1-800-522-6752
FOR APPLICATION TOOLING INFORMATION	TOOLING ASSISTANCE CENTER 1-800-722-1111
FOR ORDER ENTRY	1-800-526-5142

MAX RECOMMENDED OPERATING TEMPERATURE: 105°C [221°F]
VOLTAGE RATING: 300 V MAX
WIRE CROSS SECTIONAL AREA RANGE, 0.12-0.24mm <sup>2</sup> [238-475] CIR MILS STRANDED

DIMENSIONS: mm [INCHES]	TOLERANCES UNLESS OTHERWISE SPECIFIED: 0 PLC ± - 1 PLC ± - 2 PLC ± - 3 PLC ± 0.127[.005] 4 PLC ± - ANGLES ± 1°
MATERIAL	FINISH

PRODUCT SPEC	114-2157
APPLICATION SPEC	114-2157
WEIGHT	
CUSTOMER DRAWING	

NAME TERMINAL, NYLON PIDG, RING TONGUE; WIRE SIZE 26-24			
SIZE	CAGE CODE	DRAWING NO	RESTRICTED TO
A3	00779	C-54310	-
SCALE	SHEET	REV	
8:1	1 OF 1	C3	

## X-ON Electronics

Largest Supplier of Electrical and Electronic Components

*Click to view similar products for [Terminals](#) category:*

*Click to view products by [TE Connectivity](#) manufacturer:*

Other Similar products are found below :

[00-054007-01074-6](#) [00-054007-70206-1](#) [00-054007-70210-8](#) [00-054007-70217-7](#) [00-054007-70226-9](#) [00-054007-70228-3](#) [00-054007-70248-1](#) [00-054007-70256-6](#) [00-054007-70301-3](#) [00-054007-70316-7](#) [00-054007-49560-4](#) [00-054007-70209-2](#) [00-054007-70225-2](#) [00-054007-70227-6](#) [00-054007-70231-3](#) [00-054007-70241-2](#) [00-054007-70242-9](#) [00-054007-70244-3](#) [00-054007-70246-7](#) [00-054007-70263-4](#) [00-054007-70288-7](#) [00-054007-70290-0](#) [00-054007-70300-6](#) [00-054007-70304-4](#) [01-2065-1-0216](#) [01-2900-1-04412](#) [00581P0075](#) [600TS-10](#) [60205-1](#) [604200-1](#) [605601-1](#) [60598-1-CUT-TAPE](#) [61314-6-C](#) [61810-3](#) [61-S](#) [61-SN](#) [626-0194](#) [62-NBM-A](#) [62-SN](#) [62-SP](#) [63-S](#) [640179-1](#) [M55155/059I03](#) [M55155/079C01](#) [M55155/099H02](#) [M55155/109H01](#) [M55155/109H02](#) [M55155/12XH05](#) [M55155/16XH02](#) [M55155/29-5S](#)