

THIS DRAWING IS UNPUBLISHED.

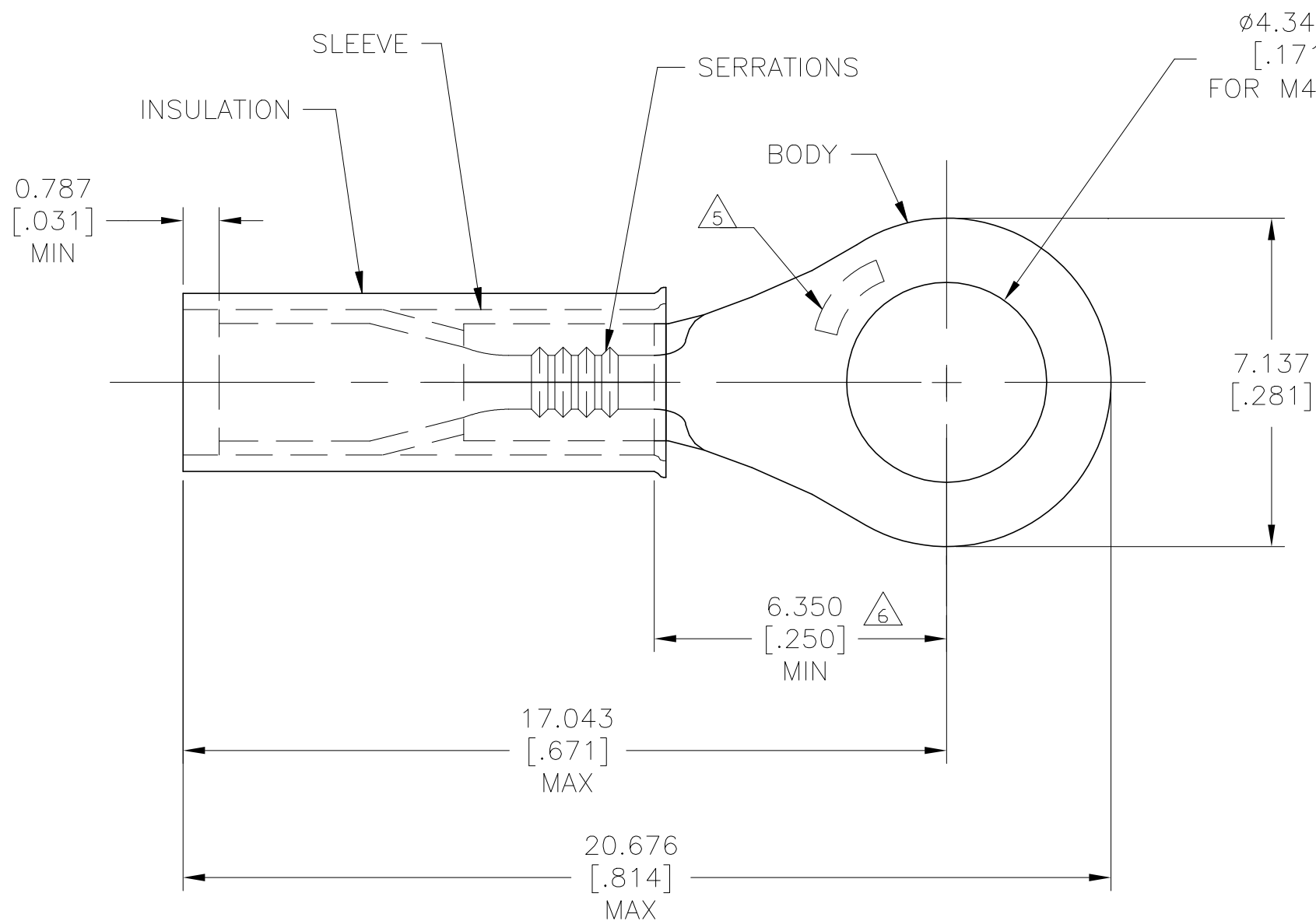
RELEASED FOR PUBLICATION

© COPYRIGHT - TE Connectivity Ltd.

ALL RIGHTS RESERVED.

REVISIONS

P	LTR	DESCRIPTION	DATE	DWN	APVD
C		REV PER 0G3A-0049-04	27JAN04	JR	TM
C1		REVISED PER ECO-19-010624	15JUL2019	RS	DR



$\phi 4.343 \pm 0.076$   
 $[\.171 \pm .003]$   
 FOR M4[#8] STUD

- 1 BODY MATERIAL THK IS  $0.685 \pm 0.025$   $[\.027 \pm .001]$
- 2 FOR 1.270  $[\.050]$  TO 2.667  $[\.105]$  WIRE INS. DIA.
- 3 MUST BE CRIMPED WITH 22-18 OR 22-16 PIDG (RED) TOOL.
- △4 MEETS MS25036-146 CLASS 1 & 2
- △5 STAMP "AMP" APPROX AS SHOWN
- △6 APPLIES FROM EDGE OF METAL WIRE BARREL TO CENTER OF STUD HOLE.
- △7 MATERIAL: BODY & SLEEVE- COPPER PER ASTM B152  
INSULATION: NYLON PER ASTM D4066, TYPE I
- △8 FINISH: BODY & SLEEVE- TIN PLATE 0.00254  $[\.000100]$  MIN EXT THK PER ASTM B545  
INSULATION: COLOR YELLOW

△4	1000	LOOSE PIECE	54311-1
	QTY	PACKAGE TYPE	PART NO

AMP INCORPORATED  
 CUSTOMER SERVICE SYSTEMS

FOR ADDITIONAL PRODUCT INFORMATION OR COPIES OF DRAWINGS AND TECHNICAL DOCUMENTS	PRODUCT INFORMATION CENTER 1-800-522-6752	MAX RECOMMENDED OPERATING TEMPERATURE: 105°C [221°F]
FOR APPLICATION TOOLING INFORMATION	TOOLING ASSISTANCE CENTER 1-800-722-1111	VOLTAGE RATING: N/A
FOR ORDER ENTRY	1-800-526-5142	WIRE CROSS SECTIONAL AREA RANGE, 0.12-0.24mm <sup>2</sup> [238-475] CIR MILS

THIS DRAWING IS A CONTROLLED DOCUMENT.

DIMENSIONS: mm [INCHES]	TOLERANCES UNLESS OTHERWISE SPECIFIED:
	0 PLC ± -
	1 PLC ± -
	2 PLC ± -
	3 PLC ± 0.127[.005]
	4 PLC ± - ± 1°

MATERIAL △7	FINISH △8
----------------	--------------

DWN JR RUTH 27JAN04	27JAN04
CHK T MICHIELUTTI 27JAN04	27JAN04
APVD T MICHIELUTTI 27JAN04	27JAN04
PRODUCT SPEC	SAE AS7928
APPLICATION SPEC	114-2157
WEIGHT	-
CUSTOMER DRAWING	



NAME TERMINAL, NYLON PIDG, RING TONGUE; WIRE SIZE 26-24 AWG			
SIZE A3	CAGE CODE 00779	DRAWING NO C=54311	RESTRICTED TO -
SCALE 8:1	SHEET 1 OF 1	REV C1	

## X-ON Electronics

Largest Supplier of Electrical and Electronic Components

*Click to view similar products for [Terminals](#) category:*

*Click to view products by [TE Connectivity](#) manufacturer:*

Other Similar products are found below :

[00-054007-01074-6](#) [00-054007-70206-1](#) [00-054007-70210-8](#) [00-054007-70217-7](#) [00-054007-70226-9](#) [00-054007-70228-3](#) [00-054007-70248-1](#) [00-054007-70256-6](#) [00-054007-70301-3](#) [00-054007-70316-7](#) [00-054007-49560-4](#) [00-054007-70209-2](#) [00-054007-70225-2](#) [00-054007-70227-6](#) [00-054007-70231-3](#) [00-054007-70241-2](#) [00-054007-70242-9](#) [00-054007-70244-3](#) [00-054007-70246-7](#) [00-054007-70263-4](#) [00-054007-70288-7](#) [00-054007-70290-0](#) [00-054007-70300-6](#) [00-054007-70304-4](#) [01-2065-1-0216](#) [01-2900-1-04412](#) [00581P0075](#) [600TS-10](#) [60205-1](#) [604200-1](#) [605601-1](#) [60598-1-CUT-TAPE](#) [61314-6-C](#) [61810-3](#) [61-S](#) [61-SN](#) [626-0194](#) [62-NBM-A](#) [62-SN](#) [62-SP](#) [63-S](#) [640179-1](#) [M55155/059I03](#) [M55155/079C01](#) [M55155/099H02](#) [M55155/109H01](#) [M55155/109H02](#) [M55155/12XH05](#) [M55155/16XH02](#) [M55155/29-5S](#)