

REVISIONS					
P	LTR	DESCRIPTION	DATE	DWN	APVD
AA1		ECO-21-006679	16JUN2021	RK	AS

- FOR ADDITIONAL SPECIFICATIONS SEE AMP PRODUCT SPEC 108-7519.
- SWITCH HAS MAKE-BEFORE-BREAK OPERATION.
- ALL CHARACTERS AND ROCKERS ARE WHITE, HOUSING IS BLACK.
- LASER MARK WILL VARY ON 2 POSITION SIDES DUE TO SPACE RESTRICTIONS.
- $\triangle 5$.315 DIMENSION APPLIES AT TERMINAL TIPS. TERMINALS ARE $.300^{+.010}_{-.000}$ AT MOUNTING SURFACE.
- SWITCH POSITIONS ARE CLOSED WHEN ROCKERS ARE DOWN TOWARD DOTS.
- $\triangle 7$ ALL MATERIALS AND FINISHES SHALL COMPLY WITH EU DIRECTIVE 2002/95/EC OF 27JAN2003 (ROHS).
- $\triangle 8$ OBSOLETE PARTS: OBSOLETE CIS STREAMLINING PER D.RENAUD/D.SINISI
- MARKS WILL BE ADDED BY LASER MARK PROCESS.

	FIG 1	FIG 3	.48	DPDT	4	8-435470-1	$\triangle 8$
OBSOLETE	-FIG 1	AS SHOWN	1.28	SPDT	12	7-435470-6	$\triangle 8$
	-FIG 1	AS SHOWN	1.08	SPDT	10	7-435470-5	$\triangle 8$
	-FIG 1	AS SHOWN	.88	SPDT	8	7-435470-4	$\triangle 8$
	-FIG 1	AS SHOWN	.48	SPDT	4	7-435470-2	$\triangle 8$
	FIG 1	FIG 4	.28	SPDT	2	7-435470-1	$\triangle 8$
$\triangle 8$ OBSOLETE	AS SHOWN	FIG 2	.88	DPDT	8	5-435470-9	$\triangle 8$
	AS SHOWN	FIG 4	.28	SPDT	2	5-435470-7	$\triangle 8$
	AS SHOWN	FIG 3	.48	DPDT	4	5-435470-5	$\triangle 8$
	AS SHOWN	AS SHOWN	.88	SPDT	8	5-435470-3	$\triangle 8$
	AS SHOWN	AS SHOWN	.68	SPDT	6	5-435470-2	$\triangle 8$
	AS SHOWN	AS SHOWN	.48	SPDT	4	5-435470-1	$\triangle 8$
OBSOLETE	FIG 1	FIG 2	1.28	DPDT	12	3-435470-3	
SUPERSEDED BY 435470-9	FIG 1	FIG 2	.88	DPDT	8	3-435470-2	
	FIG 1	FIG 3	.48	DPDT	4	3-435470-1	
OBSOLETE	FIG 1	NONE	.88	SPDT	8	2-435470-7	
$\triangle 8$ OBSOLETE	-FIG 1	AS SHOWN	1.28	SPDT	12	2-435470-6	
	-FIG 1	AS SHOWN	1.08	SPDT	10	2-435470-5	
	FIG 1	AS SHOWN	.88	SPDT	8	2-435470-4	
OBSOLETE	FIG 1	AS SHOWN	.68	SPDT	6	2-435470-3	
$\triangle 8$ OBSOLETE	-FIG 1	AS SHOWN	.48	SPDT	4	2-435470-2	
	-FIG 1	FIG 4	.28	SPDT	2	2-435470-1	
	AS SHOWN	FIG 2	.88	DPDT	8	435470-9	
SUPERSEDED BY 2-435470-6	AS SHOWN	AS SHOWN	1.28	SPDT	12	435470-8	
	AS SHOWN	FIG 4	.28	SPDT	2	435470-7	
	AS SHOWN	FIG 3	.48	DPDT	4	435470-5	
SUPERSEDED BY 2-435470-5	AS SHOWN	AS SHOWN	1.08	SPDT	10	435470-4	
	AS SHOWN	AS SHOWN	.88	SPDT	8	435470-3	
	AS SHOWN	AS SHOWN	.68	SPDT	6	435470-2	
435470-3 SHOWN	$\triangle 8$ OBSOLETE	AS SHOWN	.48	SPDT	4	435470-1	

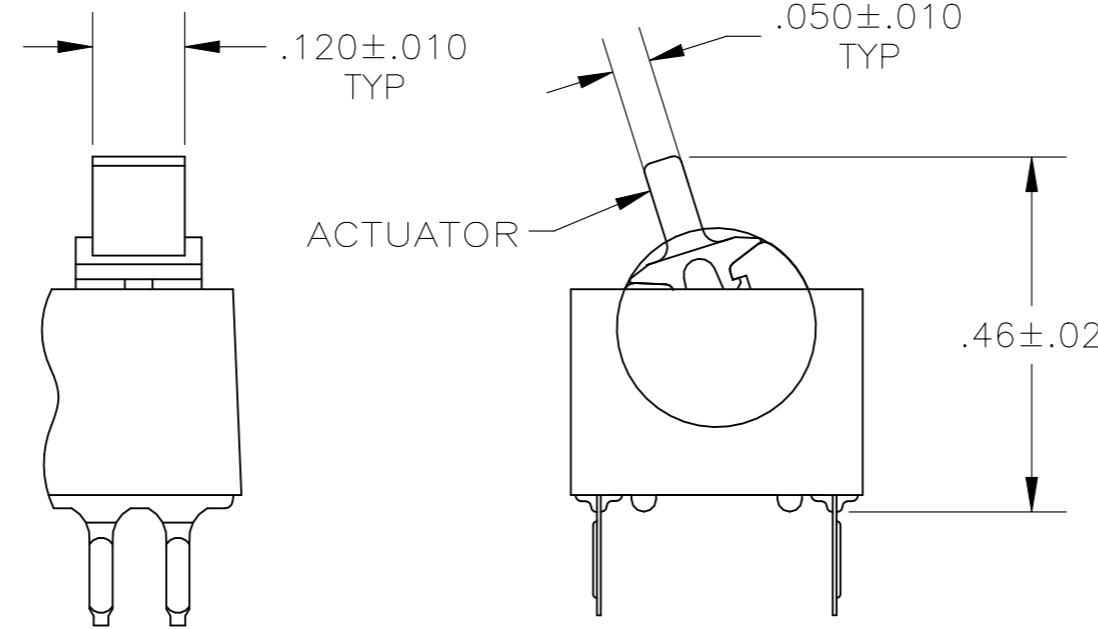
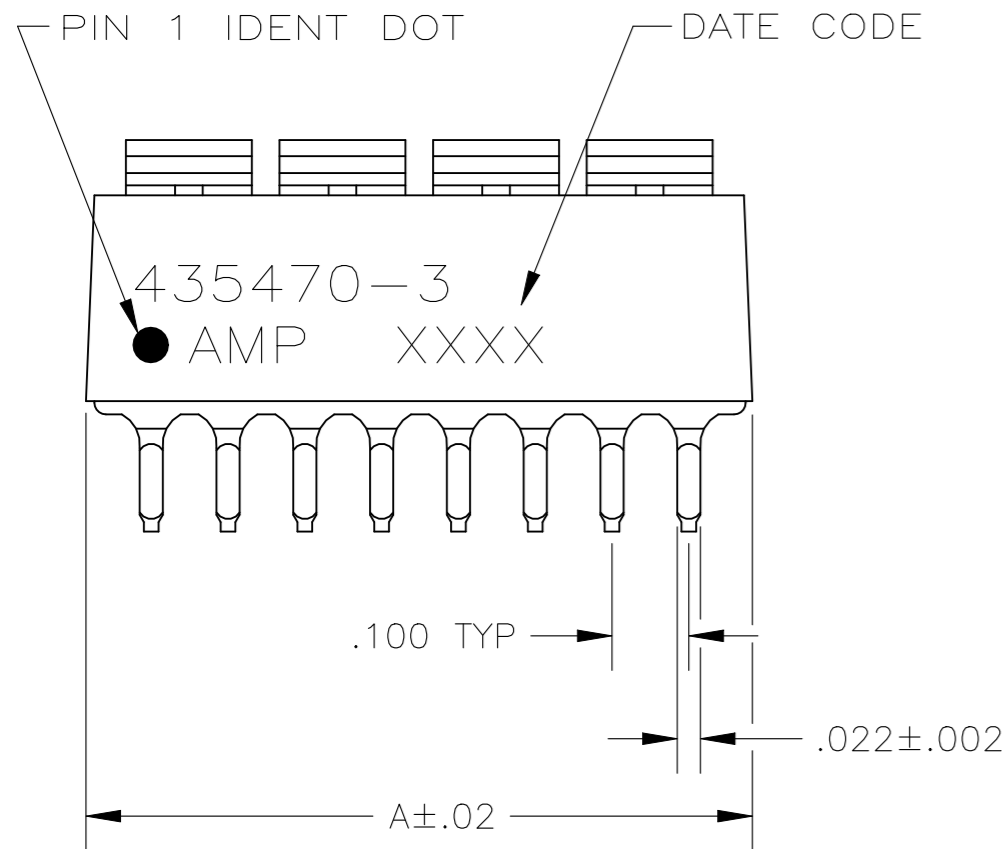
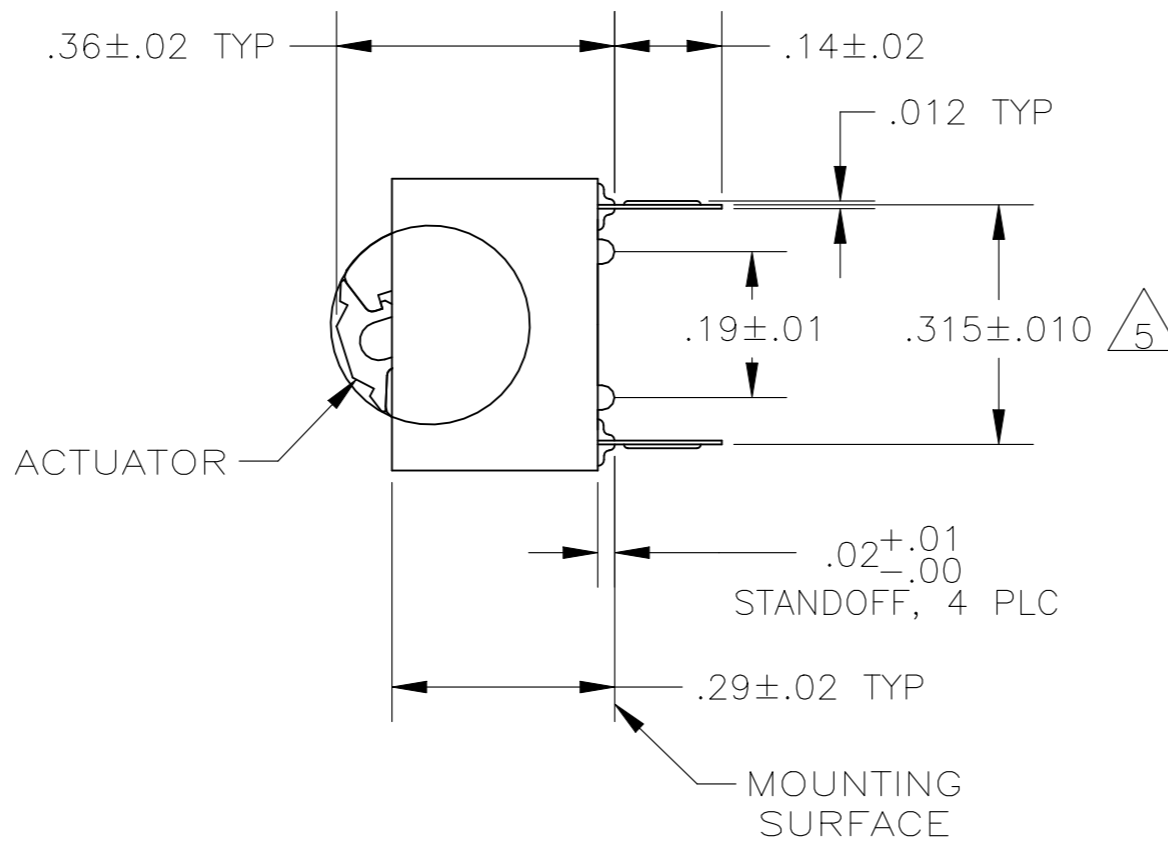
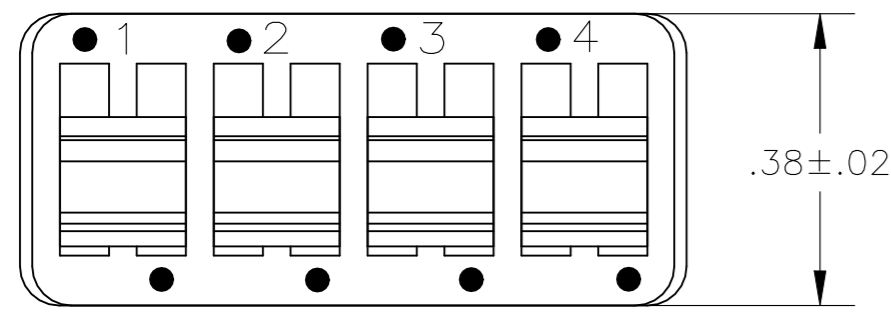


FIGURE 1
LEVER ACTUATOR SHOWN

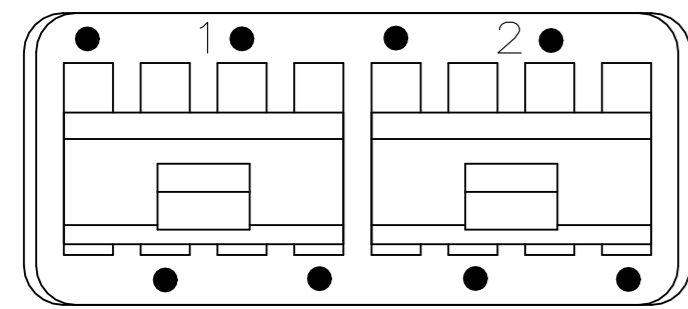


FIGURE 2

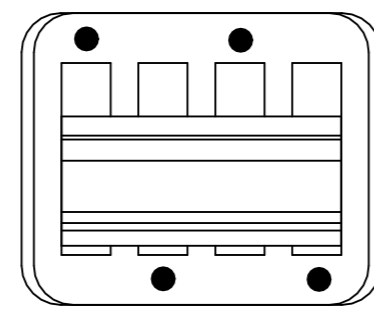


FIGURE 3

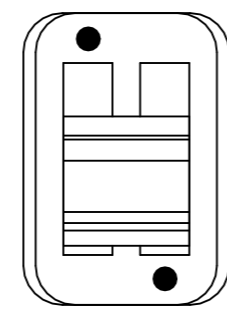
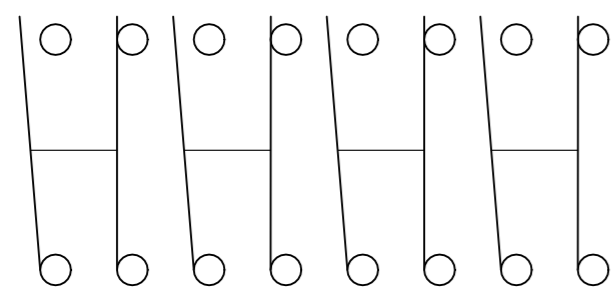
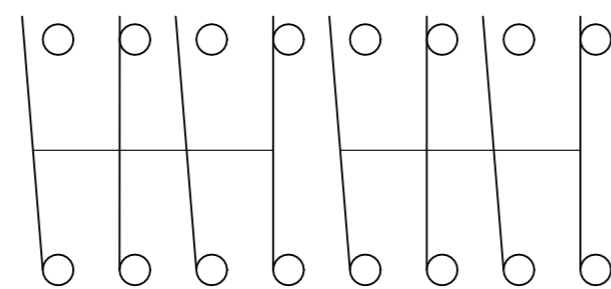


FIGURE 4



SPDT



DPDT

CONTACT ARRANGEMENT

THIS DRAWING IS A CONTROLLED DOCUMENT.		DWN R.TALLEY 15MAR90	TE Connectivity	
DIMENSIONS: INCHES		CHK R.MILLER 27MAR90	NAME	
TOLERANCES UNLESS OTHERWISE SPECIFIED:		APVD H.LEITER 27MAR90	SWITCH ASSY, DIP, TYPE C, 7000 SERIES, SPDT & DPDT	
0 PLC ± -		PRODUCT SPEC	SIZE A2	CAGE CODE 00779
1 PLC ± -		APPLICATION SPEC	DRAWING NO C=435470	RESTRICTED TO
2 PLC ± -		FINISH	SCALE 4:1	SHEET 1 OF 1
3 PLC ± .005		CONTACTS; PLATED .00030 MIN GOLD IN CONTACT AREA OVER .00050 MIN NICKEL	REV AA1	
4 PLC ± -		CONTACTS; BERYLLIUM COPPER		
ANGLES ± -		WEIGHT		
MATERIAL		CUSTOMER DRAWING		

X-ON Electronics

Largest Supplier of Electrical and Electronic Components

Click to view similar products for [DIP Switches/SIP Switches](#) category:

Click to view products by [TE Connectivity](#) manufacturer:

Other Similar products are found below :

[78M03S](#) [79B10T](#) [8136-475G4T](#) [G7G-1A2-CB-DC12](#) [H7CZL8AC100240](#) [A7SS-M](#) [A8CA-201](#) [DRR60016](#) [DRS4016](#) [1825008-1](#) [1825444-1](#) [25.350.0653.0](#) [SDA10H1BDA](#) [97R06ST](#) [A2C-2A5](#) [1825444-7](#) [ADE08SA04](#) [ADE12S04](#) [192960010](#) [2-1825058-8](#) [25.330.0653.1](#) [25.352.0353.0](#) [CXDRIVEV2X](#) [IKN0600000](#) [IKN0800000](#) [LA2-002-DC24](#) [DBS1003](#) [438872000](#) [DRD10CRAE04](#) [DSR02T](#) [DSS 208 N](#) [E2FMX2D1M1TGJ03M](#) [NDI10H](#) [219-9MSTP](#) [204-6ES](#) [EPM02FV](#) [701521596](#) [NDS08V](#) [76SB05](#) [79A10](#) [TD06H0SK1](#) [Z7.255.9027.0](#) [1-1825058-3](#) [1825428-4](#) [219-10LPSTF](#) [E3ZG6111D03M](#) [G4D212PUSTV2DC5](#) [195-7MSTN](#) [NDI05H](#) [EPG301BT06](#)