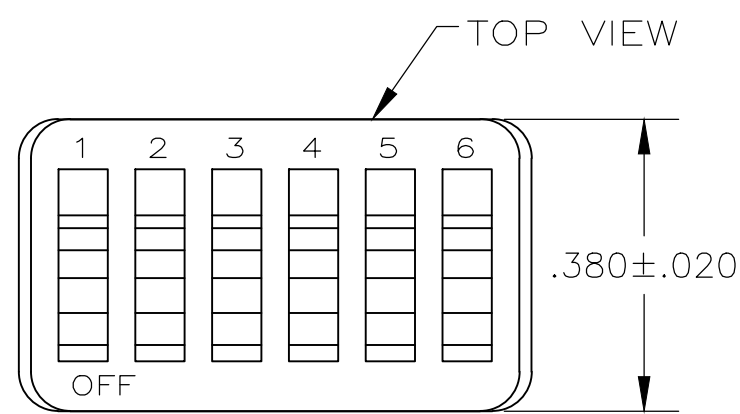
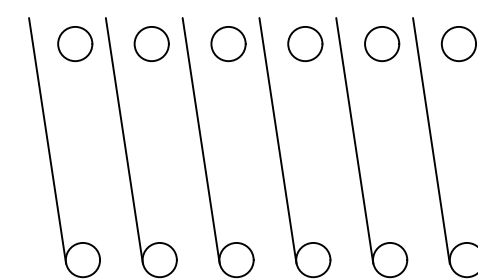
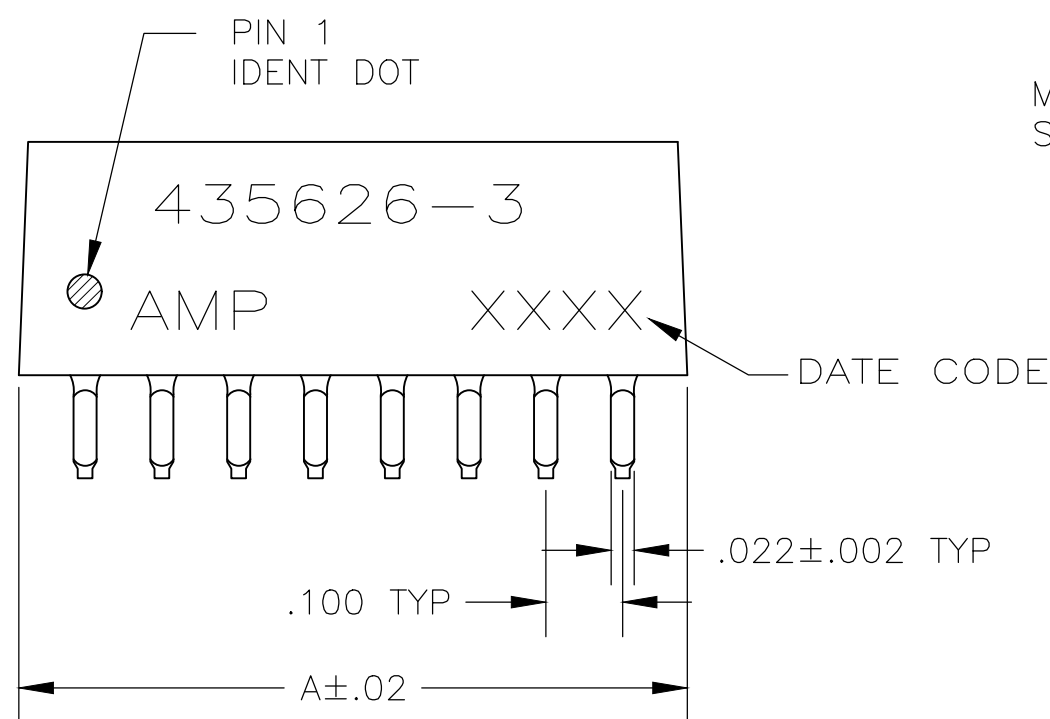
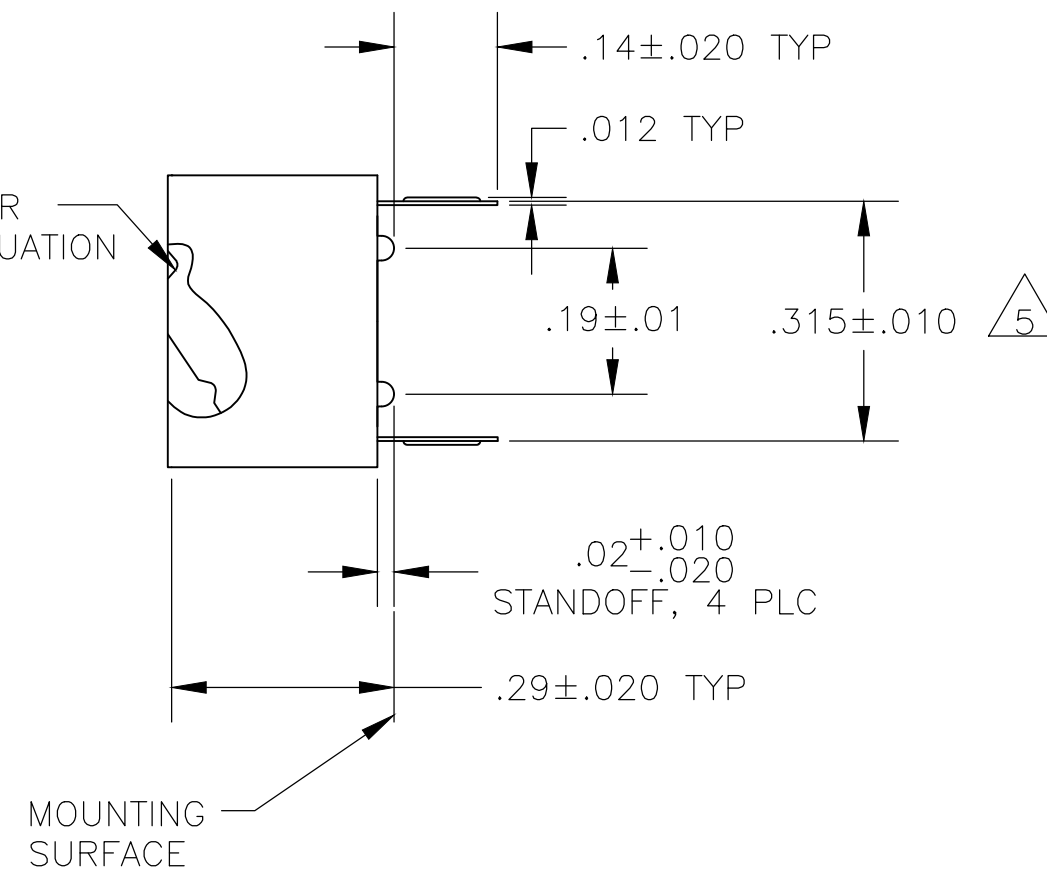


REVISIONS				
P	LTR	DESCRIPTION	DATE	APVD
BG		ECO-20-004897	24AUG2020	SB JB



NOTCHES FOR  
ROCKER ACTUATION



CONTACT ARRANGEMENT

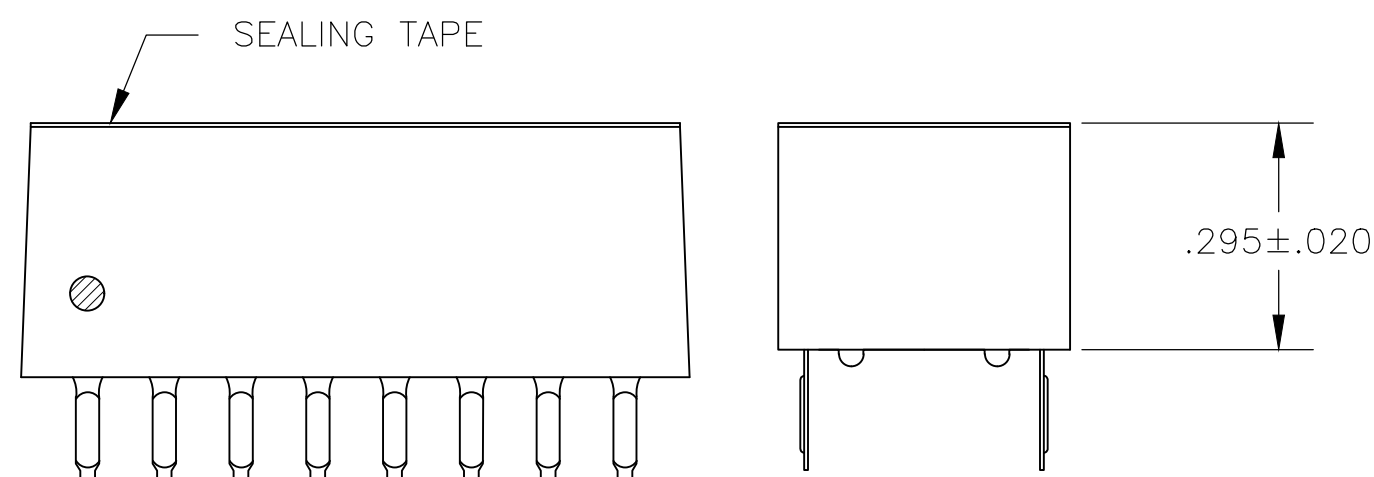


FIG 1

- FOR ADDITIONAL SPECIFICATIONS SEE AMP PRODUCT SPEC 108-7519.
- SWITCH SHOWN IN OPEN POSITION.
- ALL CHARACTERS AND ROCKERS ARE WHITE, HOUSING IS BLACK.
- LASER MARKING WILL VARY ON 2 & 3 POSITION SIDES DUE TO SPACE RESTRICTIONS.
- $\triangle 5$  .315 DIMENSION APPLIES AT TERMINAL TIPS. TERMINALS ARE  $.300^{+.010}_{-.008}$  AT MOUNTING SURFACE.
- $\triangle 6$  ALL MATERIALS AND FINISHES SHALL COMPLY WITH EU DIRECTIVE 2002/95/EC OF 27JAN2003 (ROHS).
- $\triangle 7$  OBSOLETE PARTS: OBSOLETE CIS STREAMLINING PER D.RENAUD/D.SINISI
- MARKS WILL BE ADDED BY LASER MARK PROCESS.

FIG 1	POSN.	DESCRIPTION	DATE	APVD
$\triangle 7$	OBSOLETE			
$\triangle 6$	1.08	10	9-435626-4	
$\triangle 6$	.88	8	9-435626-2	
$\triangle 7$	OBSOLETE			
$\triangle 6$	.78	7	9-435626-1	
$\triangle 6$	.68	6	9-435626-0	
$\triangle 6$	.48	4	8-435626-8	
$\triangle 6$	.38	3	8-435626-7	
$\triangle 6$	.28	2	8-435626-6	
$\triangle 6$	.88	8	5-435626-5	
$\triangle 6$	.58	5	5-435626-2	
$\triangle 6$	.48	4	5-435626-1	
			4-435626-9	
	1.28	12	4-435626-6	
	1.08	10	4-435626-4	
	.98	9	4-435626-3	
	.88	8	4-435626-2	
$\triangle 7$	OBSOLETE			
	.78	7	4-435626-1	
	.68	6	4-435626-0	
	.58	5	3-435626-9	
	.48	4	3-435626-8	
$\triangle 7$	OBSOLETE			
	.38	3	3-435626-7	
	.28	2	3-435626-6	
	.28	2	1-435626-9	
	1.08	10	435626-7	
	.88	8	435626-5	
	.78	7	435626-4	
	.68	6	435626-3	
	.58	5	435626-2	
	.48	4	435626-1	
			435626-3 SHOWN	

THIS DRAWING IS A CONTROLLED DOCUMENT.		DWN	R.TALLEY	1-2-90		NAME		SWITCH ASSY, DIP, TYPE C, 7000 SERIES, SPST, LOW PROFILE							
DIMENSIONS: INCHES		CHK	R.MILLER	1-3-90		PRODUCT SPEC		SIZE	A2	CAGE CODE	00779	DRAWING NO.	C=435626	RESTRICTED TO	-
TOLERANCES UNLESS OTHERWISE SPECIFIED:		APVD	H.LEITER	1-3-90		APPLICATION SPEC		SCALE	4:1	SHEET	1 OF 1	REV	BG		
0 PLC ± - 1 PLC ± - 2 PLC ± - 3 PLC ± .005 4 PLC ± - ANGLES ± -		FINISH		CONTACTS: PLATED .00030 MIN GOLD IN CONTACT AREA OVER .00050 MIN NICKEL		WEIGHT		CUSTOMER DRAWING							

## X-ON Electronics

Largest Supplier of Electrical and Electronic Components

*Click to view similar products for [DIP Switches/SIP Switches](#) category:*

*Click to view products by [TE Connectivity](#) manufacturer:*

Other Similar products are found below :

[78M03S](#) [79B10T](#) [8136-475G4T](#) [G7G-1A2-CB-DC12](#) [H7CZL8AC100240](#) [A7SS-M](#) [A8CA-201](#) [DRR60016](#) [DRS4016](#) [1825008-1](#) [1825444-1](#) [25.350.0653.0](#) [SBS 5004 TG](#) [SDA10H1BDA](#) [97R06ST](#) [A2C-2A5](#) [1825444-7](#) [ADE08SA04](#) [ADE12S04](#) [192960010](#) [2-1825058-8](#) [25.330.0653.1](#) [25.352.0353.0](#) [CXDRIVEV2X](#) [IKN0600000](#) [IKN0800000](#) [LA2-002-DC24](#) [DBS1003](#) [438872000](#) [DRD10CRAE04](#) [DSR02T](#) [DSS 208 N](#) [E2FMX2D1M1TGJ03M](#) [NDI10H](#) [219-9MSTP](#) [204-6ES](#) [EPM02FV](#) [701521596](#) [NDS08V](#) [76SB05](#) [79A10](#) [TD06H0SK1](#) [Z7.255.9027.0](#) [1-1825058-3](#) [1825428-4](#) [219-10LPSTF](#) [E3ZG6111D03M](#) [G4D212PUSTV2DC5](#) [NDI05H](#) [EPG301BT06](#)