

REVISIONS					
P	LTR	DESCRIPTION	DATE	DWN	APVD
C		ECO-20-004897	24AUG2020	SB	JB

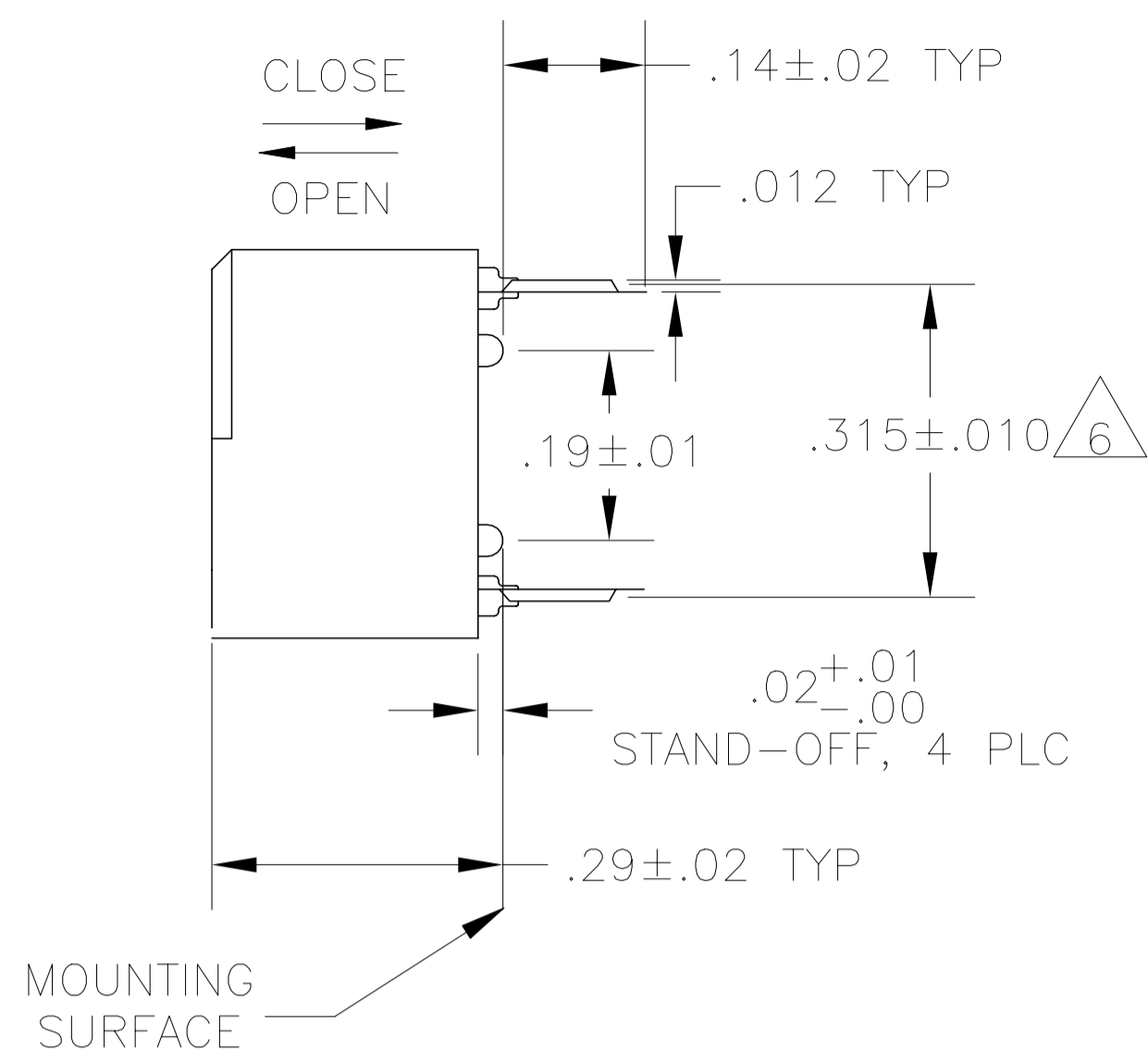
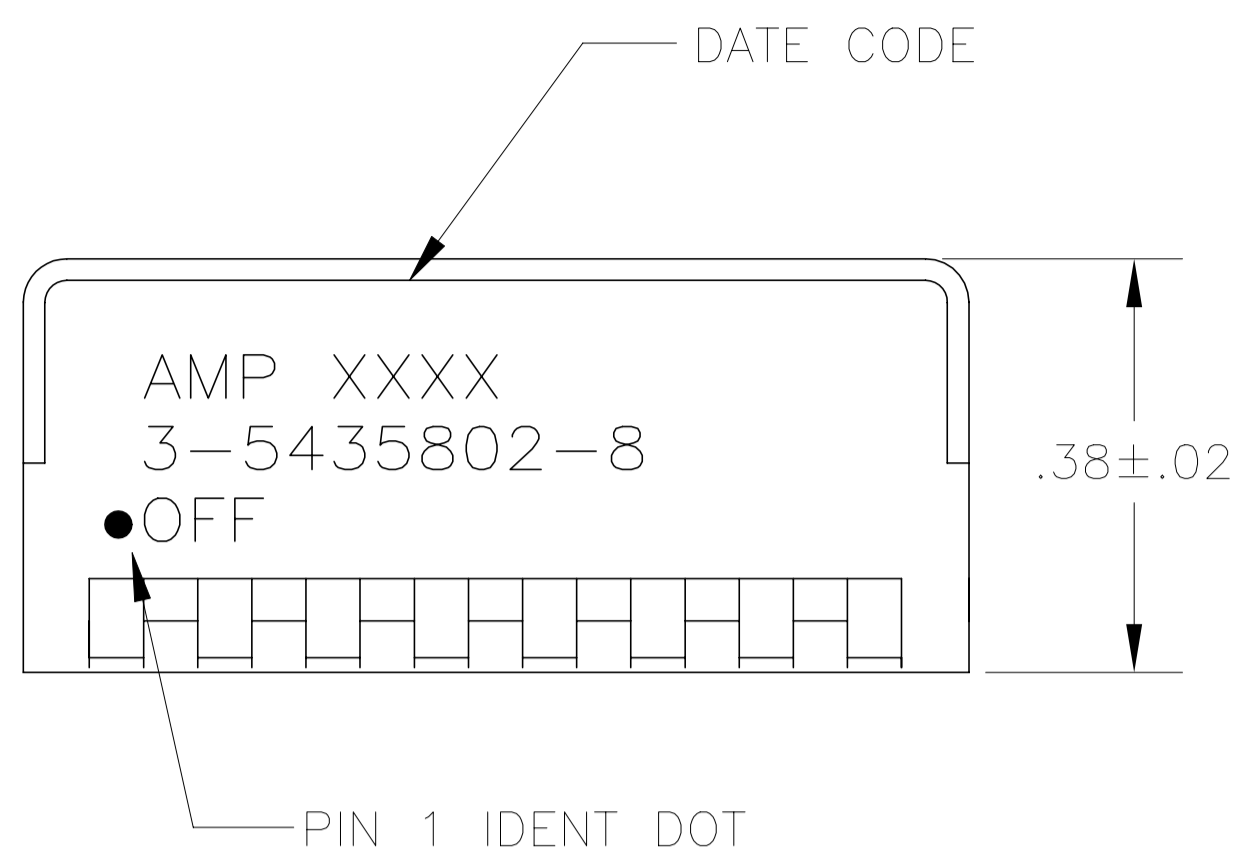


FIG 1

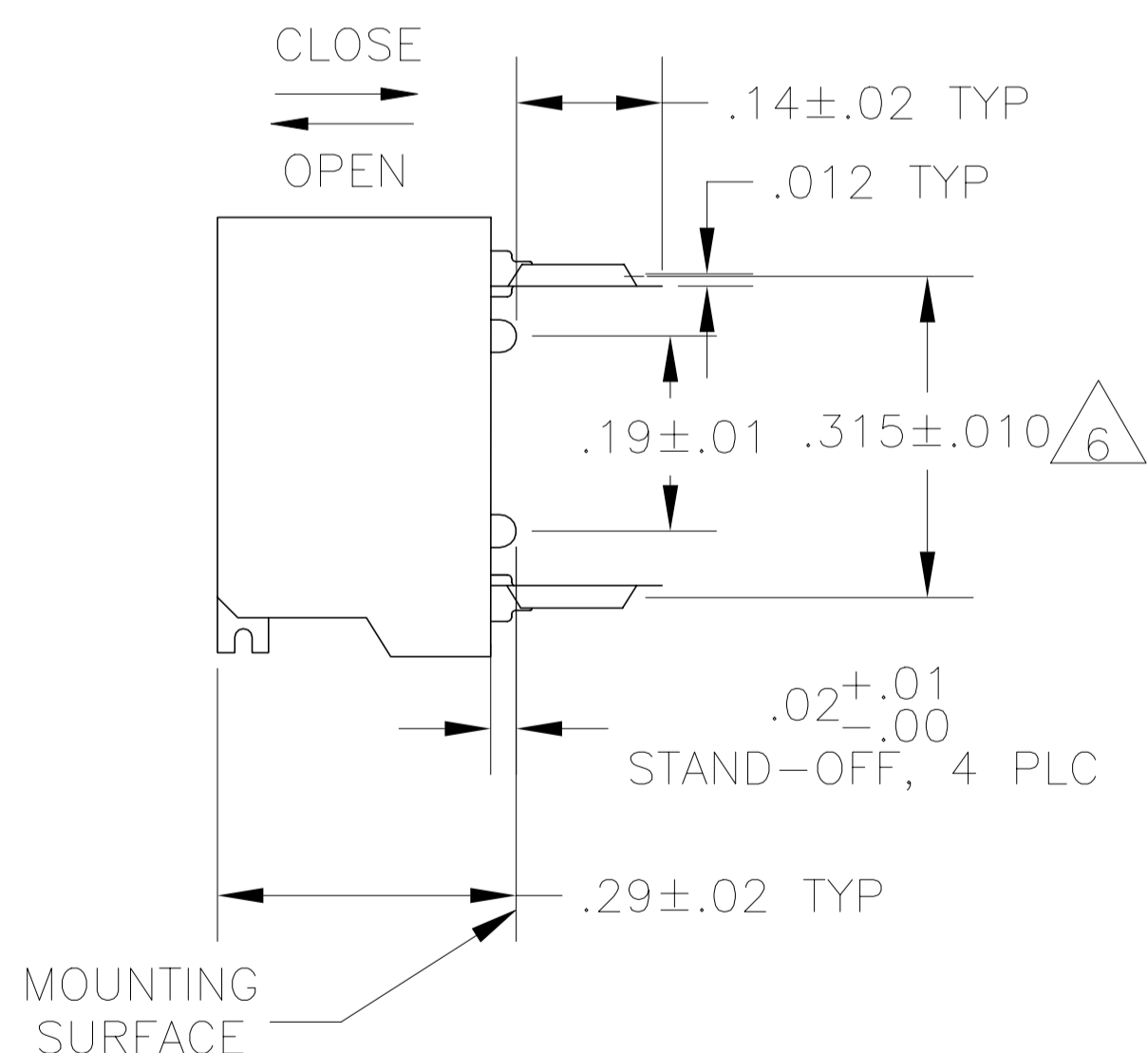
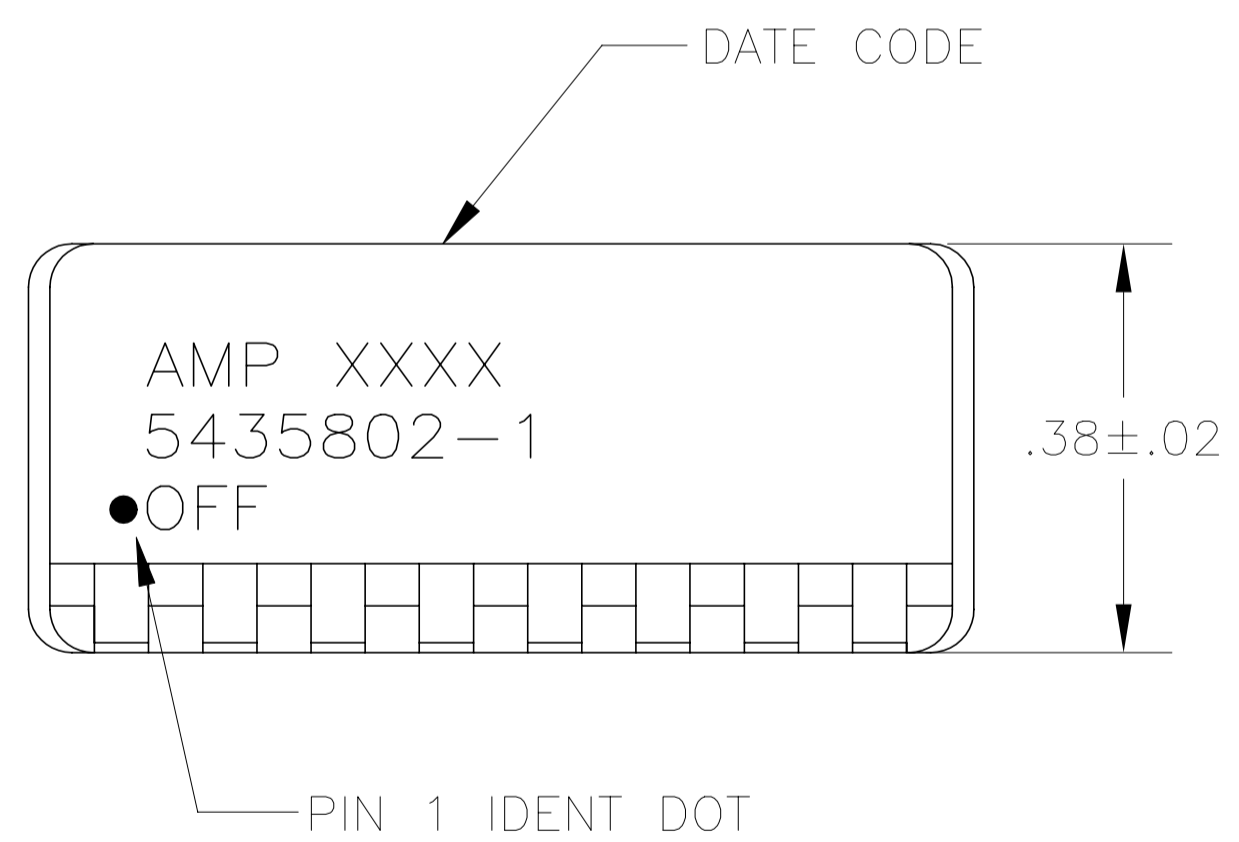
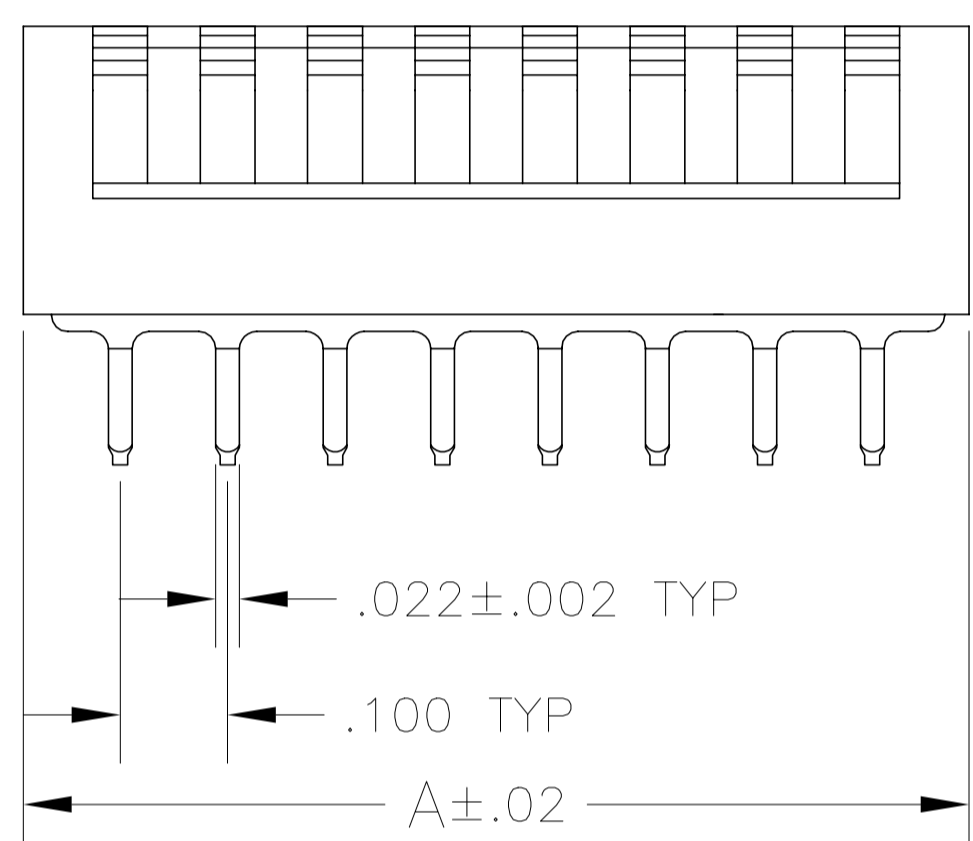
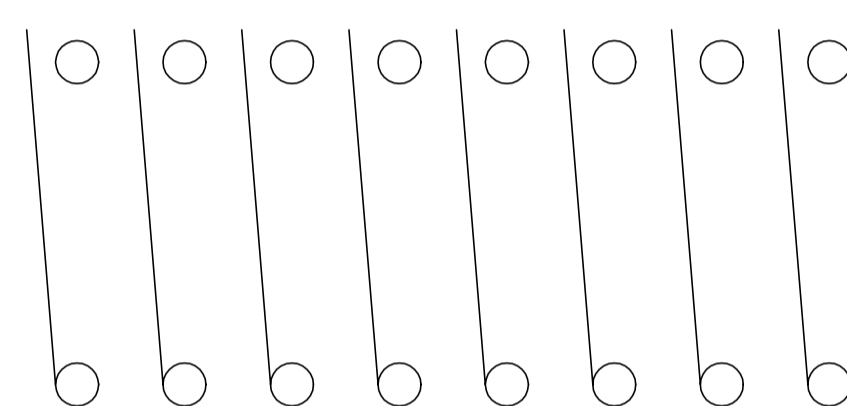
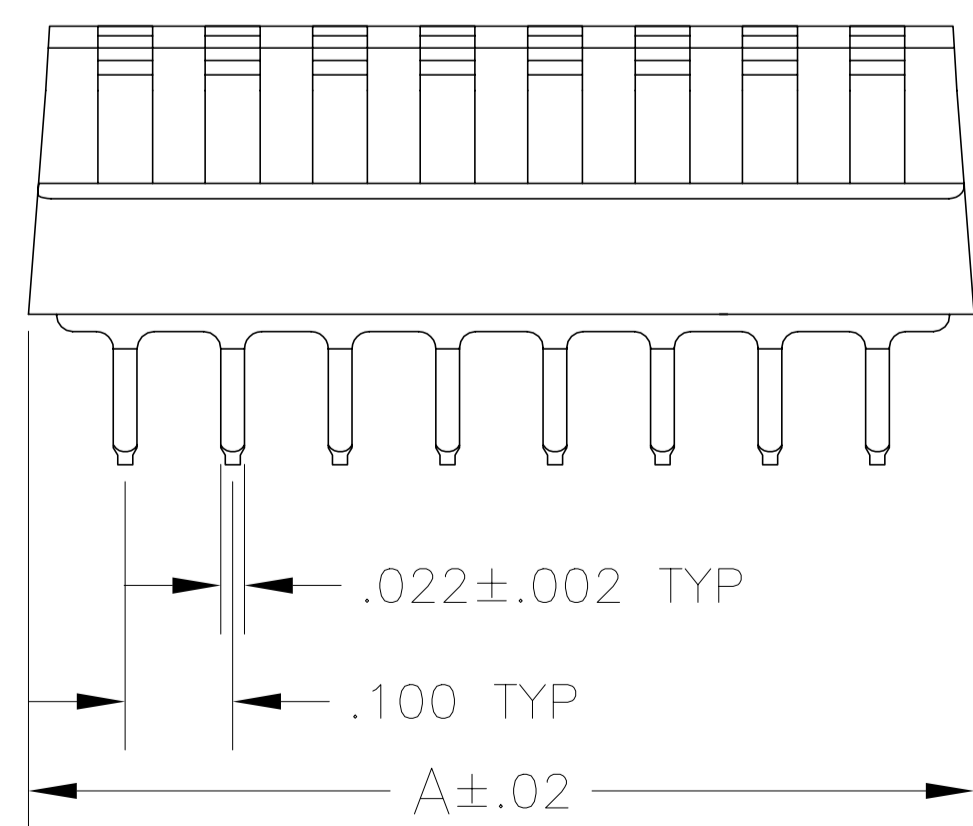


FIG 2



- FOR ADDITIONAL SPECIFICATIONS SEE AMP PRODUCT SPEC 108-7519.
- SWITCH SHOWN IN OPEN POSITION.
- ALL CHARACTERS AND ROCKERS ARE WHITE, HOUSING IS BLACK.
- LASER MARKING WILL VARY ON 2 AND 3 POSITION TOPS DUE TO SPACE RESTRICTIONS.
- $\triangle 5$  STRIPPABLE TRANSPARENT SEAL, SEE FIG 6.
- $\triangle 6$  .315 DIMENSION APPLIES AT TERMINAL TIPS. TERMINALS ARE .300<sup>+.010</sup><sub>-.000</sub> AT MOUNTING SURFACE.
- $\triangle 7$  NO POSITION MARKING.
- $\triangle 8$  NO PART NO. MARKING.
- $\triangle 9$  STRIPPABLE TAPE SEAL, SEE FIGURE 8.
- ALL MATERIALS AND FINISHES SHALL COMPLY WITH EU DIRECTIVE 2002/95/EC OF 27JAN2003 (ROHS)
- $\triangle 11$  MATERIAL: HOUSING AND ROCKERS - POLYESTER CONTACT & SOLDER LEAD - COPPER ALLOY
- $\triangle 12$  FINISH: CONTACT - GOLD OVER NICKEL SOLDER LEAD - TIN OVER NICKEL
- $\triangle 13$  OBSOLETE PARTS: OBSOLETE CIS STREAMLINING PER D.RENAUD/D.SINISI
- MARKS WILL BE ADDED BY LASER MARK PROCESS.

	FIG 2	FIG 3A& 7		1.08	10	6-5435802-3
	FIG 1	FIG 3B	$\triangle 9$	.88	8	3-5435802-8
$\triangle 13$ OBSOLETE	FIG 2	$\triangle 7$ $\triangle 8$	$\triangle 5$	.88	8	3-5435802-0
	FIG 2	$\triangle 7$ $\triangle 8$	$\triangle 5$	.48	4	2-5435802-9
	FIG 2	FIG 3A	$\triangle 5$	1.28	12	2-5435802-2
	FIG 2			1.18	11	2-5435802-1
	FIG 2			1.08	10	2-5435802-0
	FIG 2			.98	9	1-5435802-9
	FIG 2			.78	7	1-5435802-8
	FIG 2			.68	6	1-5435802-7
	FIG 2			.58	5	1-5435802-6
	FIG 2	$\triangle 8$		.48	4	1-5435802-5
	FIG 2	FIG 3A		1.28	12	1-5435802-2
	FIG 1	$\triangle 8$		.28	2	1-5435802-0
	FIG 2	FIG 3A	$\triangle 5$	.88	8	5435802-9
	FIG 2			1.08	10	5435802-8
	FIG 2			.98	9	5435802-7
$\triangle 13$ OBSOLETE	FIG 2			.78	7	5435802-6
	FIG 2			.68	6	5435802-5
	FIG 2			.58	5	5435802-4
	FIG 2	$\triangle 8$		.48	4	5435802-3
	FIG 2	$\triangle 8$		.38	3	5435802-2
5435802-1 SHOWN	FIG 2	FIG 3A		.88	8	5435802-1
	HOUSING	MARKING	PROT-ECTIVE SEAL	A	NO OF POSN	PART NO

THIS DRAWING IS A CONTROLLED DOCUMENT.		DWN R. TALLEY 19-9-89	TE Connectivity Ltd.															
DIMENSIONS: INCHES		CHK R. MILLER 19-9-89																
TOLERANCES UNLESS OTHERWISE SPECIFIED:		APVD H. LEITER 19-9-89	NAME SWITCH ASSY, DIP, TYPE C, 7000 SERIES, SPST, SIDE ACTUATED															
<table border="1"> <tr><td>0 PLC</td><td>± -</td></tr> <tr><td>1 PLC</td><td>± -</td></tr> <tr><td>2 PLC</td><td>± -</td></tr> <tr><td>3 PLC</td><td>± .005</td></tr> <tr><td>4 PLC</td><td>± -</td></tr> <tr><td>ANGLES</td><td>± -</td></tr> </table>		0 PLC	± -	1 PLC	± -	2 PLC	± -	3 PLC	± .005	4 PLC	± -	ANGLES	± -	PRODUCT SPEC APPLICATION SPEC	SIZE A2	CAGE CODE 00779	DRAWING NO C=5435802	RESTRICTED TO -
0 PLC	± -																	
1 PLC	± -																	
2 PLC	± -																	
3 PLC	± .005																	
4 PLC	± -																	
ANGLES	± -																	
MATERIAL $\triangle 11$	FINISH $\triangle 12$	WEIGHT -	CUSTOMER DRAWING		SCALE 4:1	SHEET 1 of 2	REV C											

REVISIONS					
P	LTR	DESCRIPTION	DATE	DWN	APVD
-	-	SEE SHEET 1	-	-	-

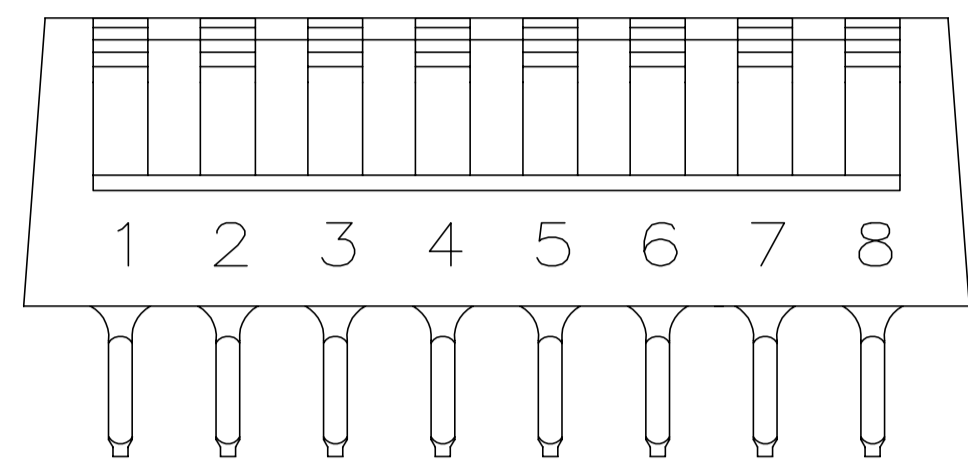


FIG 3A

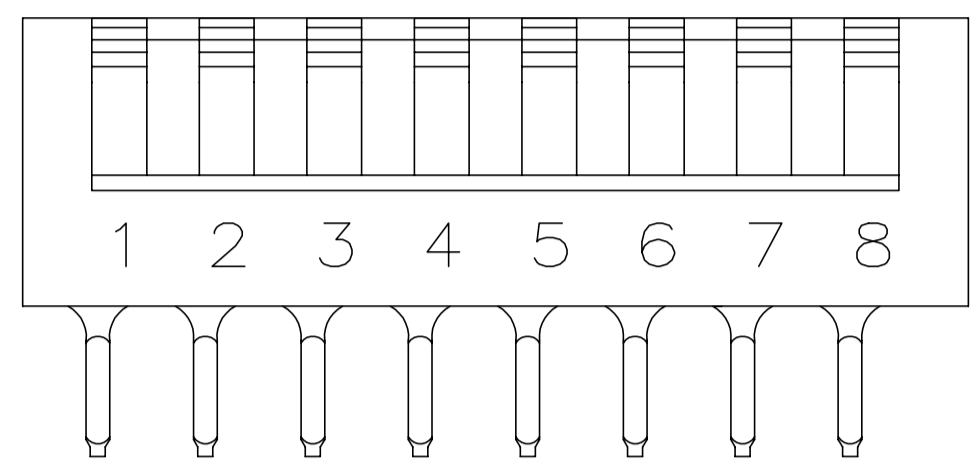


FIG 3B

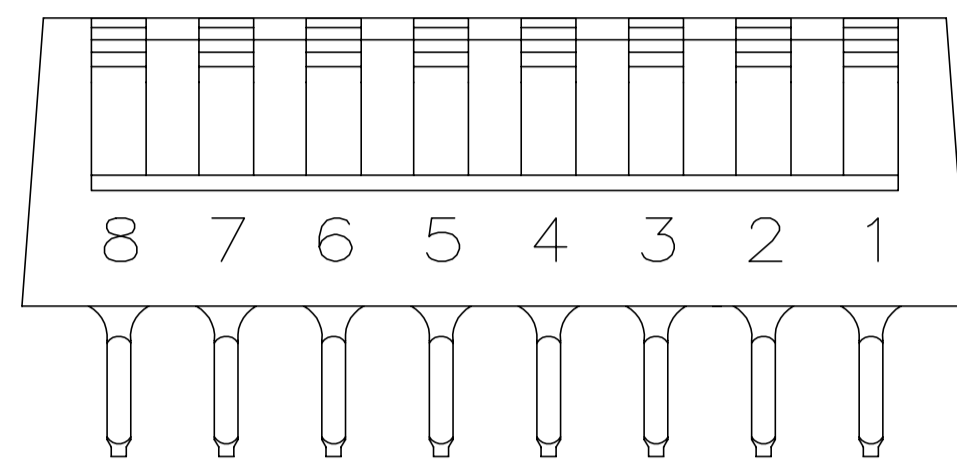
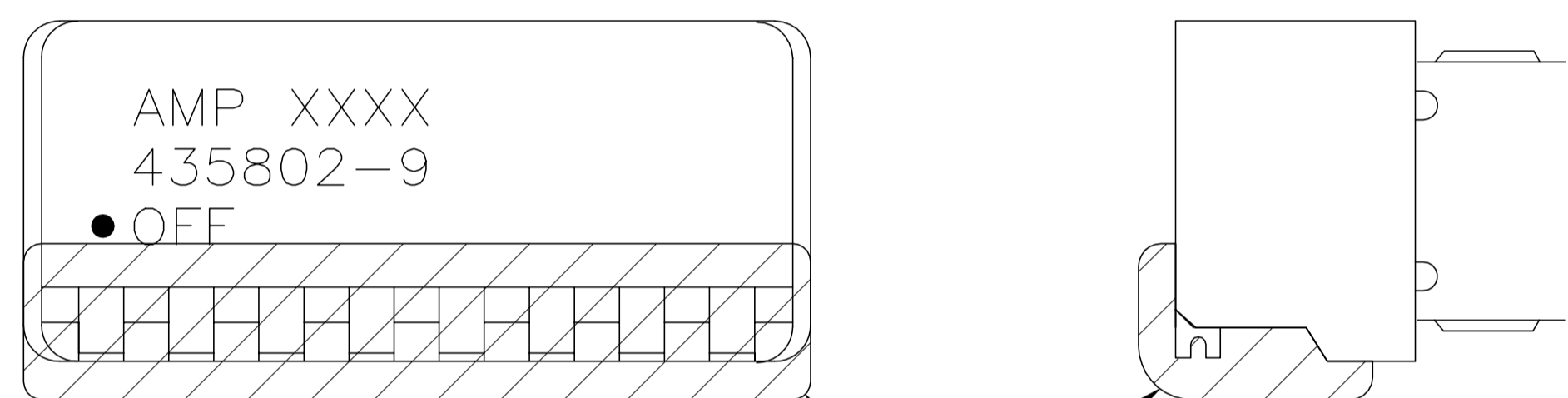
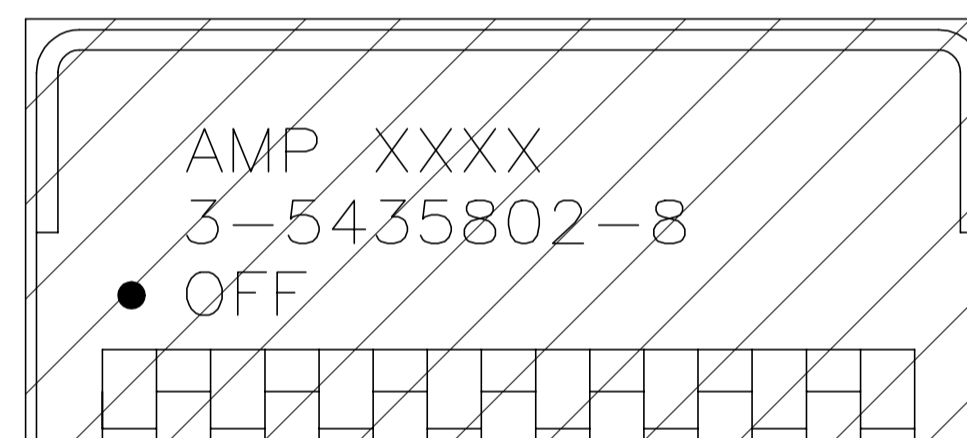


FIG 4



PROTECTIVE SEAL

FIG 6



PROTECTIVE SEAL

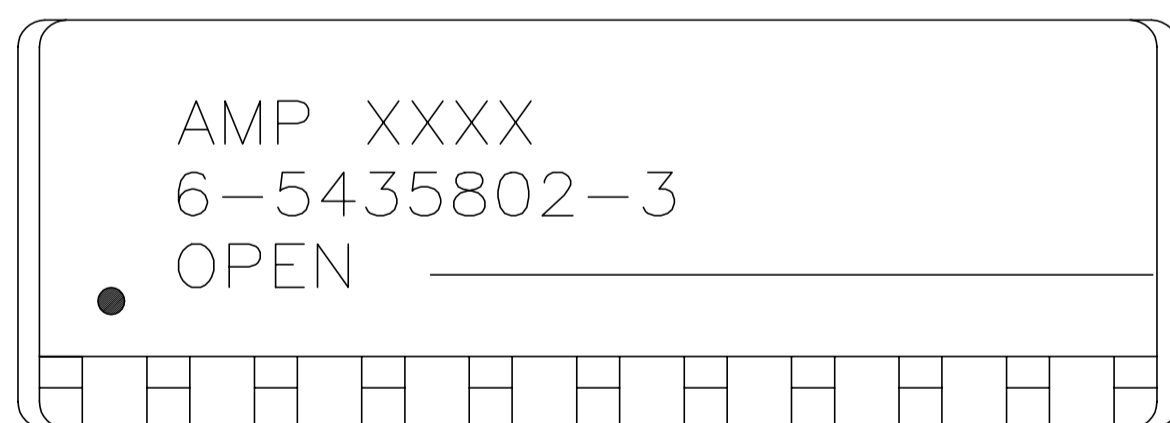


FIG 7

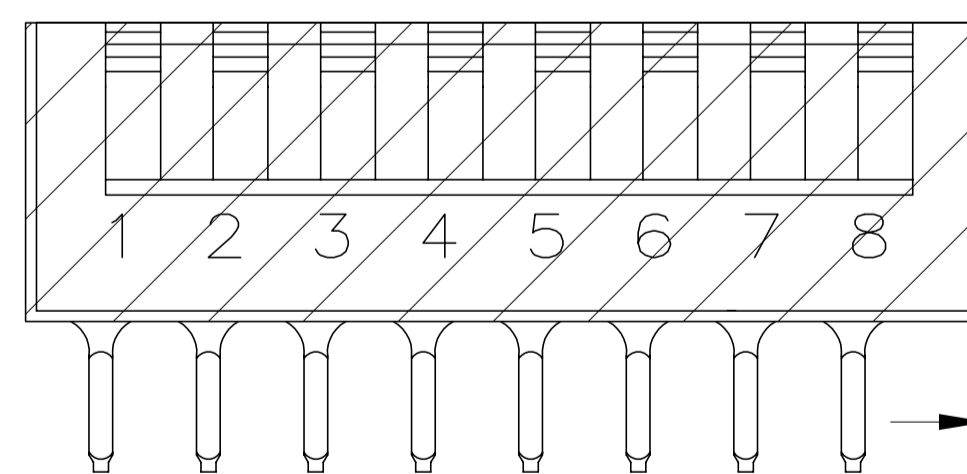


FIG 8

THIS DRAWING IS A CONTROLLED DOCUMENT.		DWN R. TALLEY 19-9-89	TE Connectivity Ltd.													
DIMENSIONS: INCHES		CHK R. MILLER 19-9-89														
TOLERANCES UNLESS OTHERWISE SPECIFIED:		APVD H. LEITER 19-9-89	NAME													
<table border="0"> <tr><td>0 PLC</td><td>± -</td></tr> <tr><td>1 PLC</td><td>± -</td></tr> <tr><td>2 PLC</td><td>± -</td></tr> <tr><td>3 PLC</td><td>± .005</td></tr> <tr><td>4 PLC</td><td>± -</td></tr> <tr><td>ANGLES</td><td>± -</td></tr> </table>		0 PLC	± -	1 PLC	± -	2 PLC	± -	3 PLC	± .005	4 PLC	± -	ANGLES	± -	PRODUCT SPEC	SWITCH ASSY, DIP, TYPE C, 7000 SERIES, SPST, SIDE ACTUATED	
0 PLC	± -															
1 PLC	± -															
2 PLC	± -															
3 PLC	± .005															
4 PLC	± -															
ANGLES	± -															
MATERIAL SEE SHEET 1		APPLICATION SPEC	SIZE A2	CAGE CODE 00779	DRAWING NO C=5435802											
FINISH SEE SHEET 1		WEIGHT -	RESTRICTED TO -													
CUSTOMER DRAWING			SCALE 4:1	SHEET 2 OF 2	REV C											

## X-ON Electronics

Largest Supplier of Electrical and Electronic Components

*Click to view similar products for [DIP Switches/SIP Switches](#) category:*

*Click to view products by [TE Connectivity](#) manufacturer:*

Other Similar products are found below :

[78M03S](#) [79B10T](#) [8136-475G4T](#) [G7G-1A2-CB-DC12](#) [H7CZL8AC100240](#) [A7SS-M](#) [A8CA-201](#) [DRR60016](#) [DRS4016](#) [1825008-1](#) [1825444-1](#) [25.350.0653.0](#) [SDA10H1BDA](#) [97R06ST](#) [A2C-2A5](#) [1825444-7](#) [ADE08SA04](#) [ADE12S04](#) [192960010](#) [2-1825058-8](#) [25.330.0653.1](#) [25.352.0353.0](#) [CXDRIVEV2X](#) [IKN0600000](#) [IKN0800000](#) [LA2-002-DC24](#) [DBS1003](#) [438872000](#) [DRD10CRAE04](#) [DSR02T](#) [DSS 208 N](#) [E2FMX2D1M1TGJ03M](#) [NDI10H](#) [219-9MSTP](#) [204-6ES](#) [EPM02FV](#) [701521596](#) [NDS08V](#) [76SB05](#) [79A10](#) [TD06H0SK1](#) [Z7.255.9027.0](#) [1-1825058-3](#) [1825428-4](#) [219-10LPSTF](#) [E3ZG6111D03M](#) [G4D212PUSTV2DC5](#) [195-7MSTN](#) [NDI05H](#) [EPG301BT06](#)