

REVISIONS					
P	LTR	DESCRIPTION	DATE	DWN	APVD
C		ECO-20-004897	24AUG2020	SB	JB

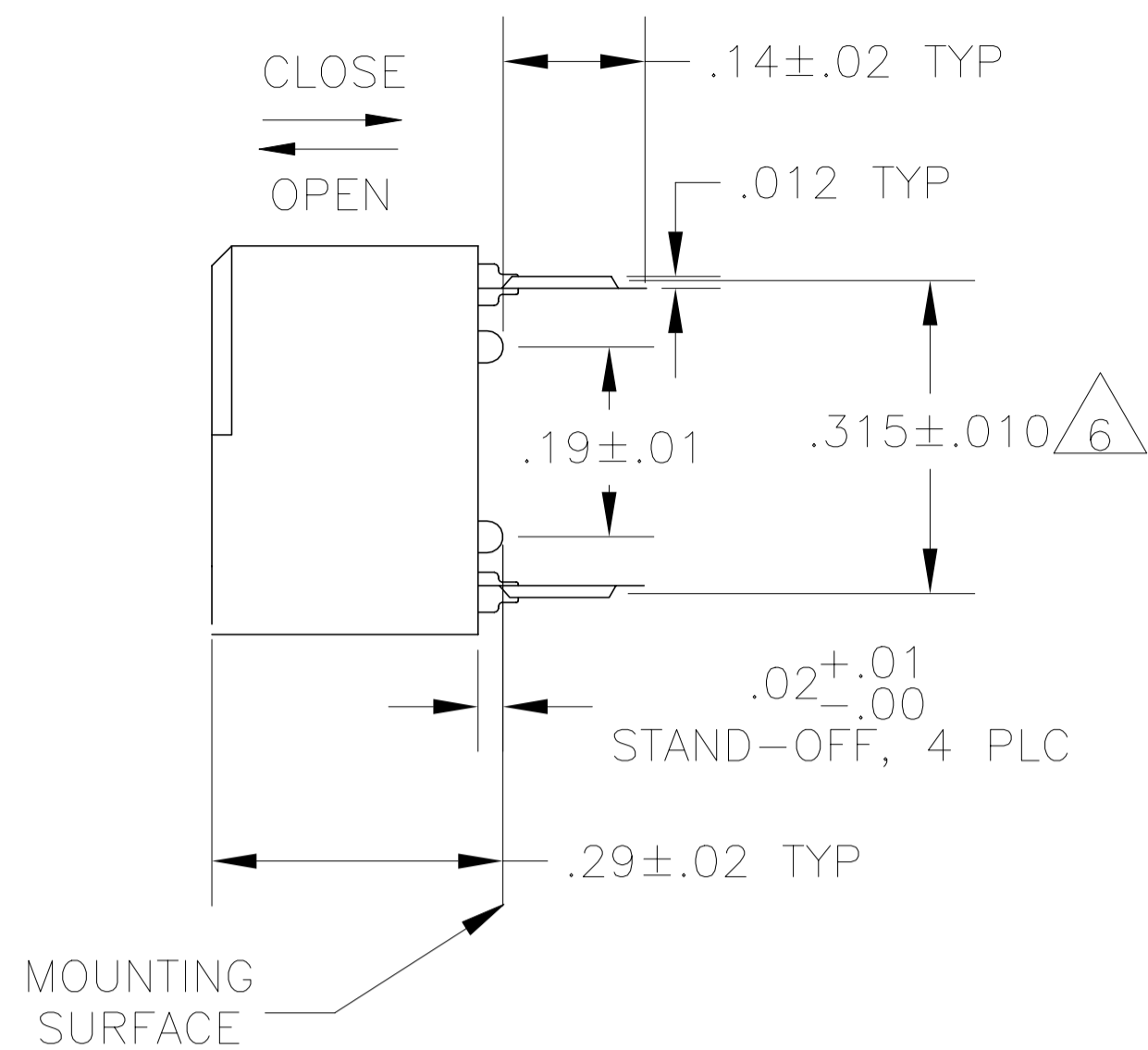
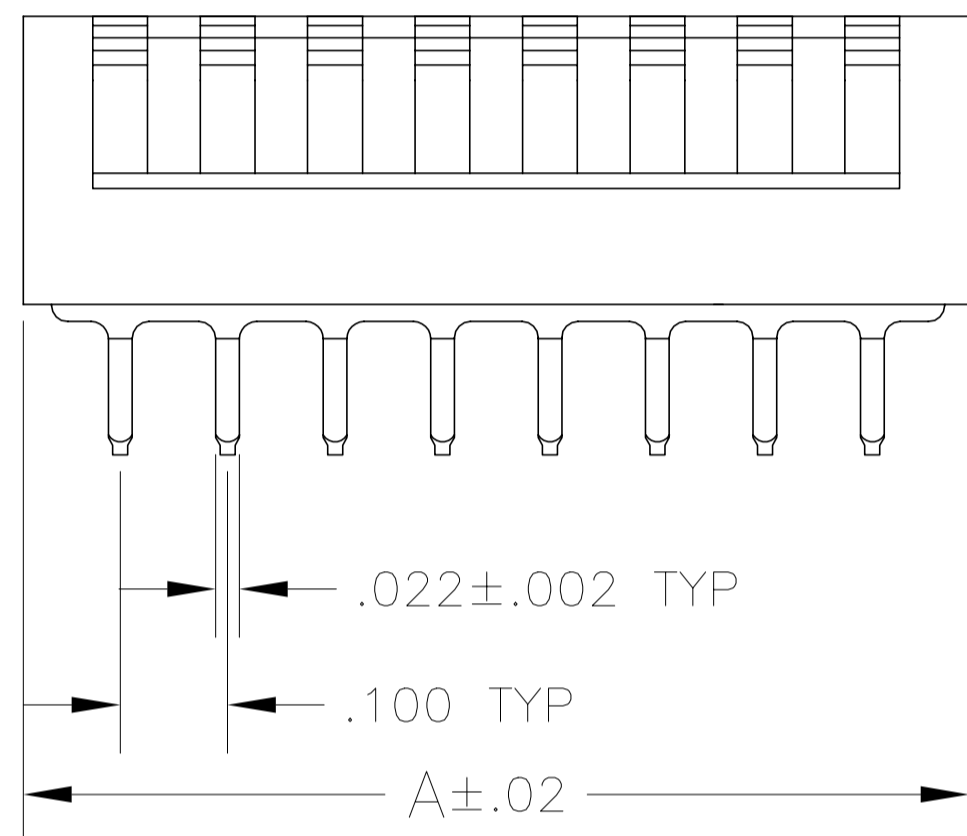
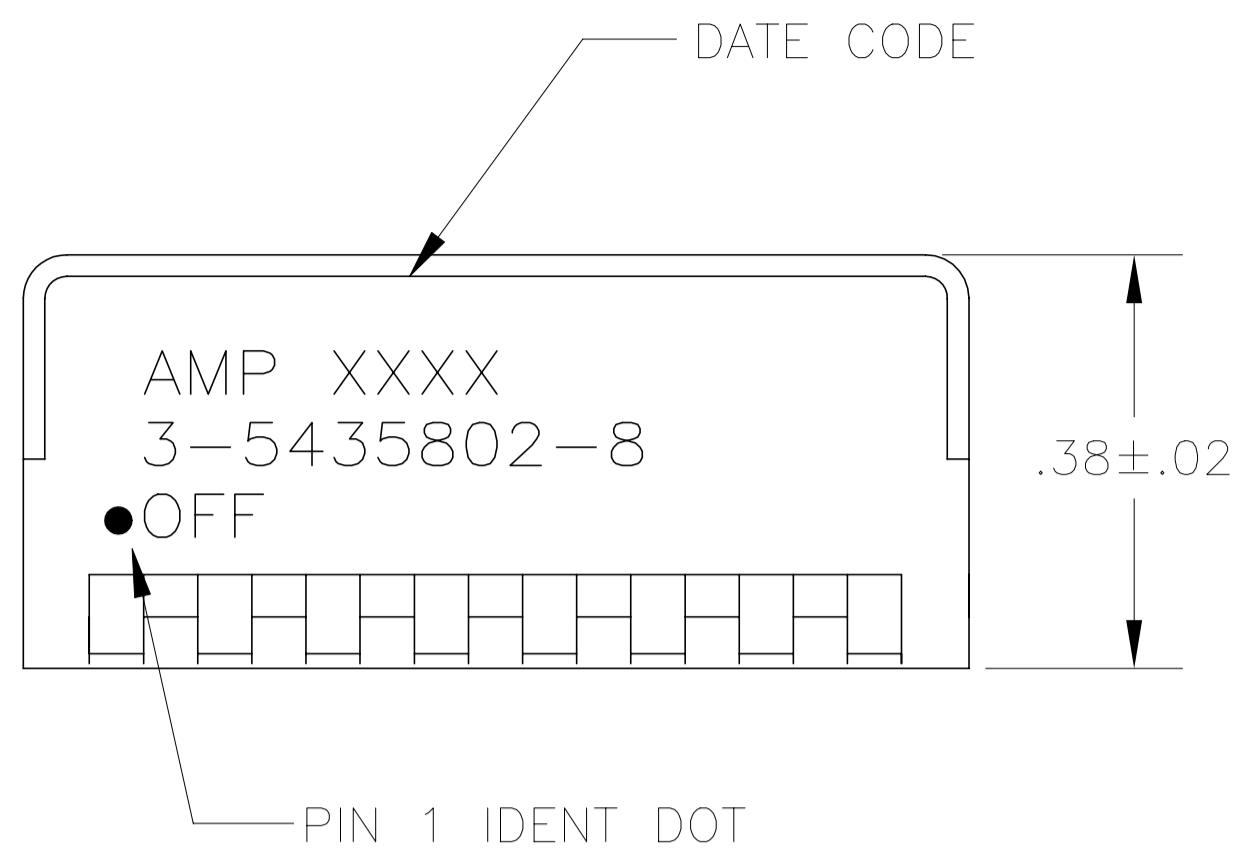
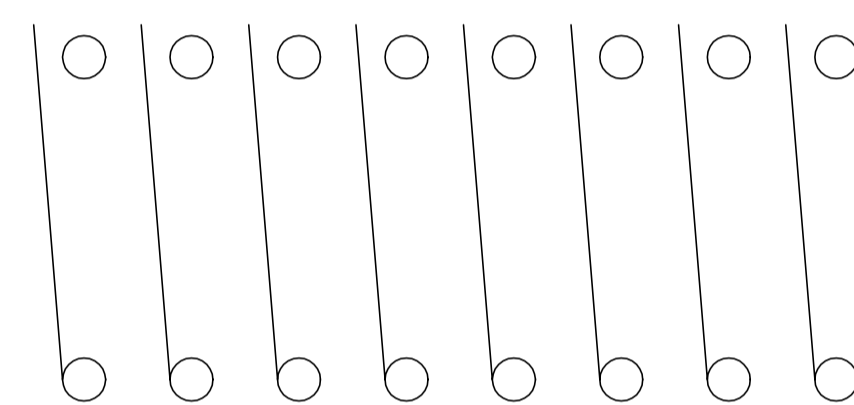


FIG 1



CONTENT ARRANGEMENT

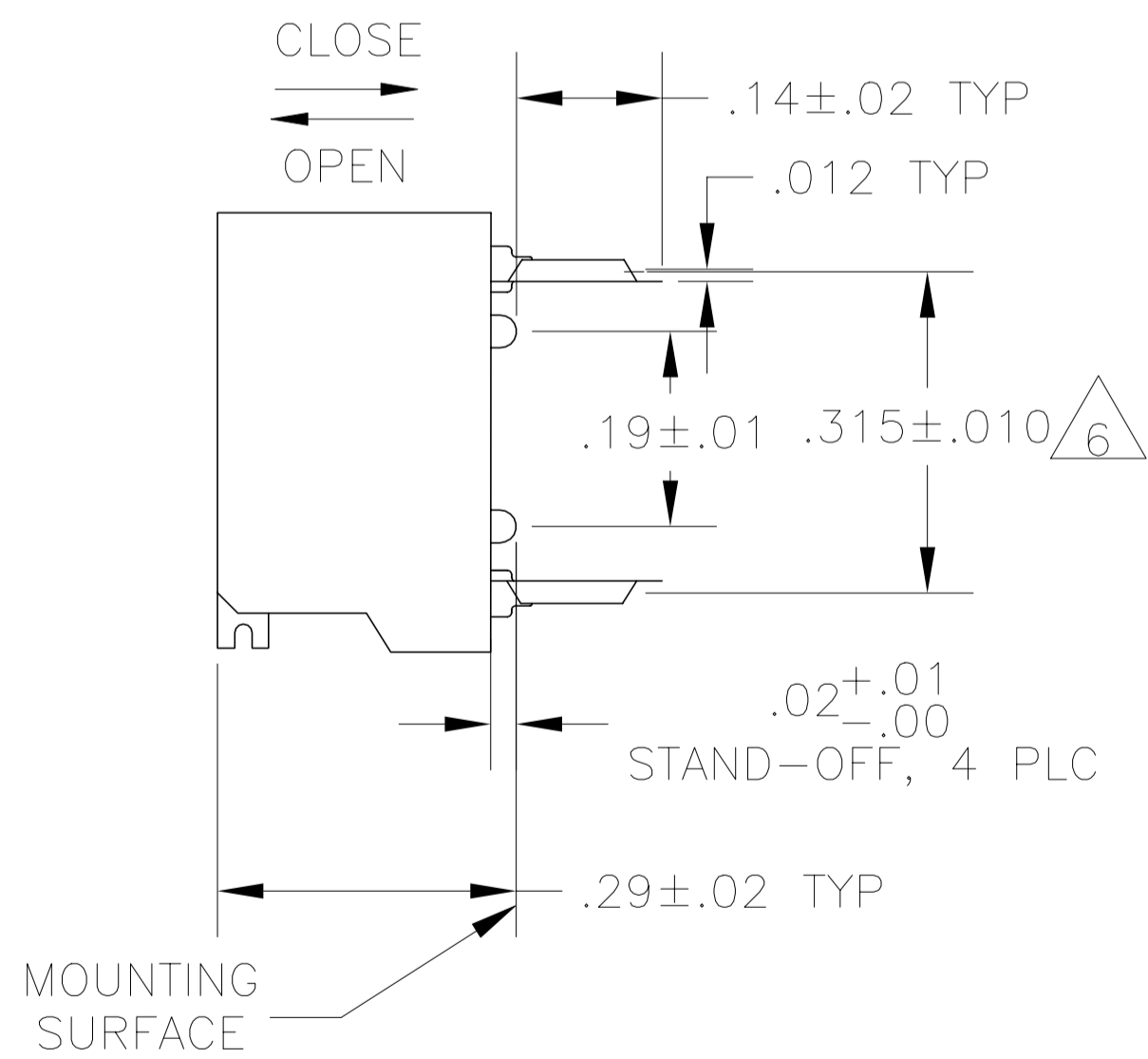
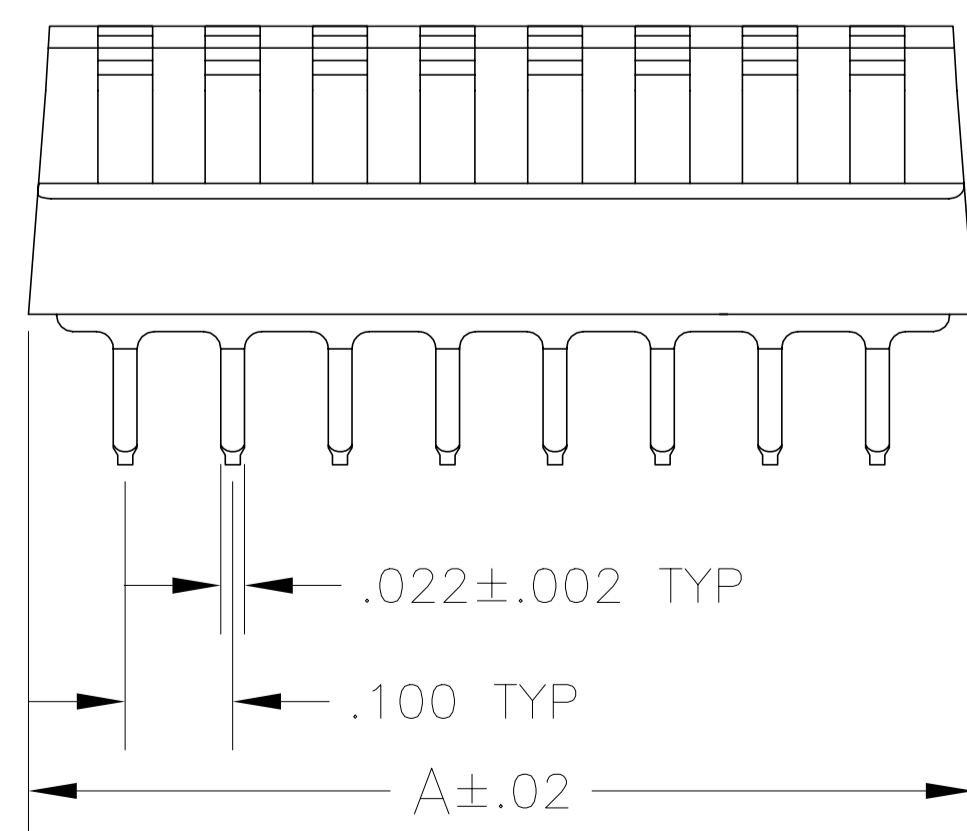
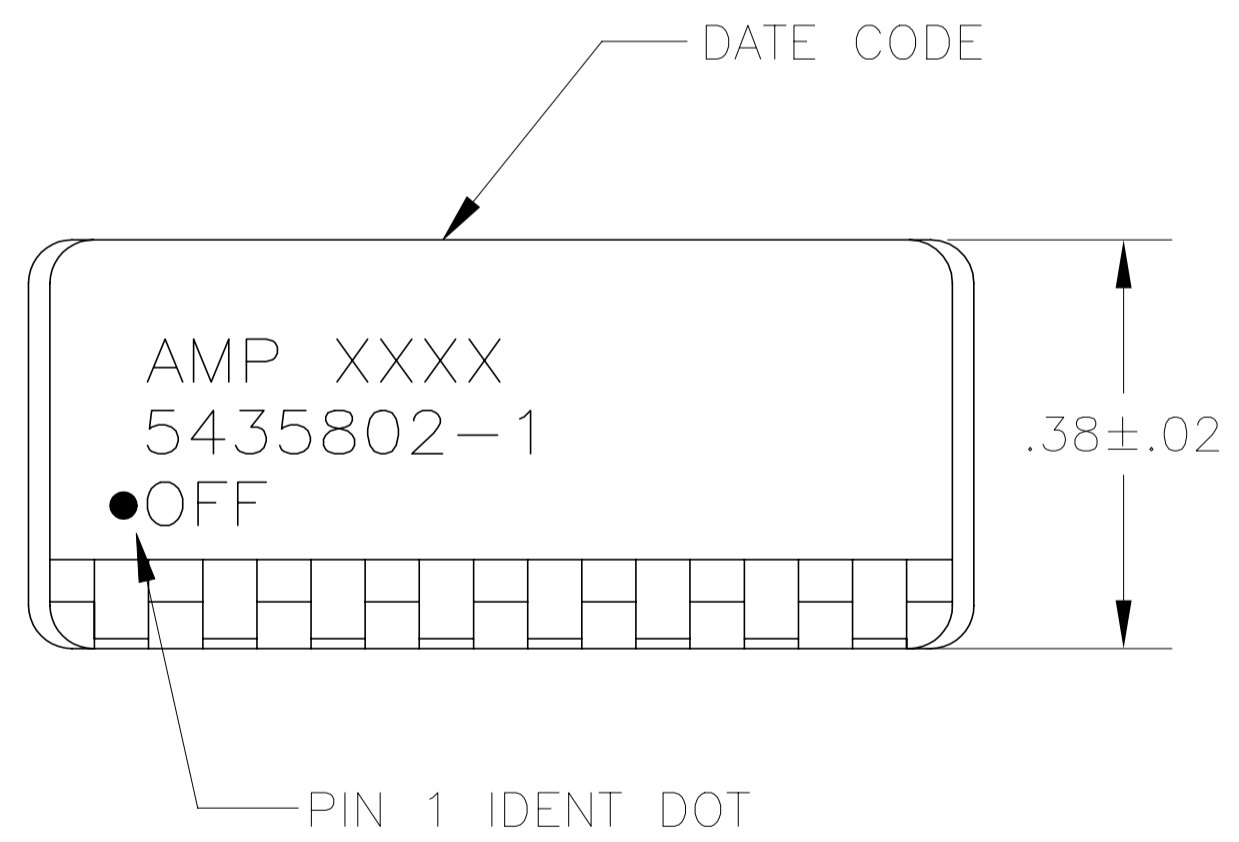


FIG 2

1. FOR ADDITIONAL SPECIFICATIONS SEE AMP PRODUCT SPEC 108-7519.
2. SWITCH SHOWN IN OPEN POSITION.
3. ALL CHARACTERS AND ROCKERS ARE WHITE, HOUSING IS BLACK.
4. LASER MARKING WILL VARY ON 2 AND 3 POSITION TOPS DUE TO SPACE RESTRICTIONS.
5. STRIPPABLE TRANSPARENT SEAL, SEE FIG 6.
6. .315 DIMENSION APPLIES AT TERMINAL TIPS. TERMINALS ARE .300+.010 / -.000 AT MOUNTING SURFACE.
7. NO POSITION MARKING.
8. NO PART NO. MARKING.
9. STRIPPABLE TAPE SEAL, SEE FIGURE 8.
10. ALL MATERIALS AND FINISHES SHALL COMPLY WITH EU DIRECTIVE 2002/95/EC OF 27JAN2003 (ROHS)
11. MATERIAL: HOUSING AND ROCKERS - POLYESTER CONTACT & SOLDER LEAD - COPPER ALLOY
12. FINISH: CONTACT - GOLD OVER NICKEL SOLDER LEAD - TIN OVER NICKEL
13. OBSOLETE PARTS: OBSOLETE CIS STREAMLINING PER D.RENAUD/D.SINISI
14. MARKS WILL BE ADDED BY LASER MARK PROCESS.

	FIG 2	FIG 3A& 7		1.08	10	6-5435802-3
	FIG 1	FIG 3B	9	.88	8	3-5435802-8
13	FIG 2	7 8	5	.88	8	3-5435802-0
	FIG 2	7 8	5	.48	4	2-5435802-9
	FIG 2	FIG 3A	5	1.28	12	2-5435802-2
	FIG 2			1.18	11	2-5435802-1
	FIG 2			1.08	10	2-5435802-0
	FIG 2			.98	9	1-5435802-9
	FIG 2			.78	7	1-5435802-8
	FIG 2			.68	6	1-5435802-7
	FIG 2			.58	5	1-5435802-6
	FIG 2	8		.48	4	1-5435802-5
	FIG 2	FIG 3A		1.28	12	1-5435802-2
	FIG 1	8		.28	2	1-5435802-0
	FIG 2	FIG 3A	5	.88	8	5435802-9
	FIG 2			1.08	10	5435802-8
	FIG 2			.98	9	5435802-7
13	FIG 2			.78	7	5435802-6
	FIG 2			.68	6	5435802-5
	FIG 2			.58	5	5435802-4
	FIG 2			.48	4	5435802-3
	FIG 2	8		.38	3	5435802-2
	FIG 2	FIG 3A		.88	8	5435802-1
	HOUSING	MARKING	PROT-ECTIVE SEAL	A	NO OF POSN	PART NO

5435802-1 SHOWN

THIS DRAWING IS A CONTROLLED DOCUMENT.		DWN R. TALLEY 19-9-89	TE Connectivity Ltd.			
DIMENSIONS: INCHES		CHK R. MILLER 19-9-89				
TOLERANCES UNLESS OTHERWISE SPECIFIED:		APVD H. LEITER 19-9-89	NAME SWITCH ASSY, DIP, TYPE C, 7000 SERIES, SPST, SIDE ACTUATED			
0 PLC ± -	1 PLC ± -	PRODUCT SPEC	-			
2 PLC ± -	3 PLC ± .005	APPLICATION SPEC	-			
4 PLC ± -	ANGLES ± -	WEIGHT	-			
MATERIAL 11	FINISH 12	CUSTOMER DRAWING	SIZE A2	CAGE CODE 00779	DRAWING NO C=5435802	RESTRICTED TO -
SCALE 4:1			SHEET 1 of 2		REV C	

REVISIONS					
P	LTR	DESCRIPTION	DATE	DWN	APVD
-	-	SEE SHEET 1	-	-	-

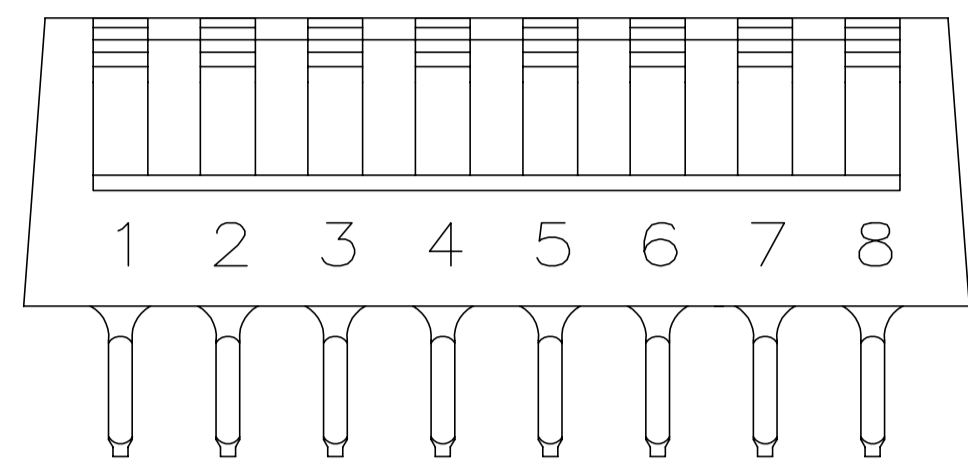


FIG 3A

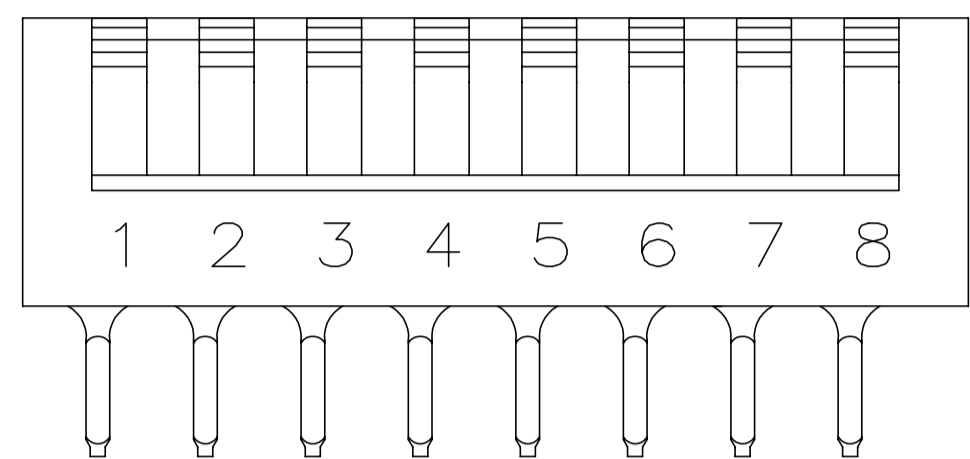


FIG 3B

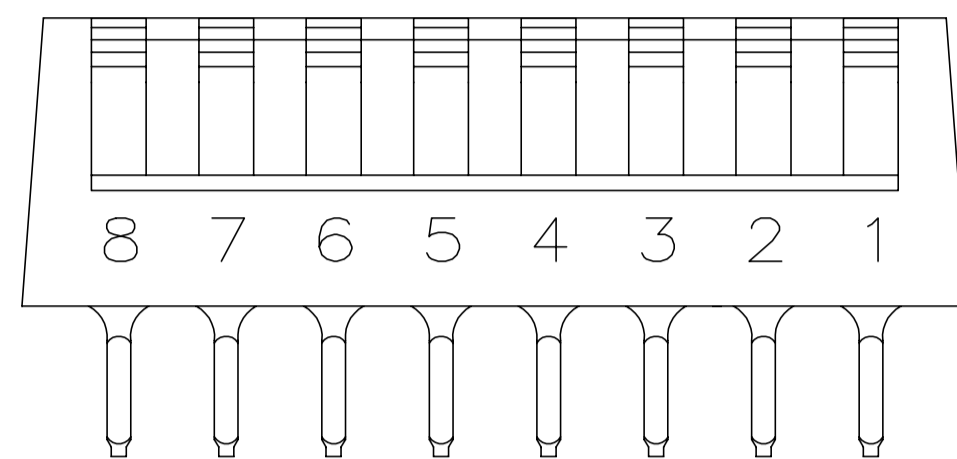
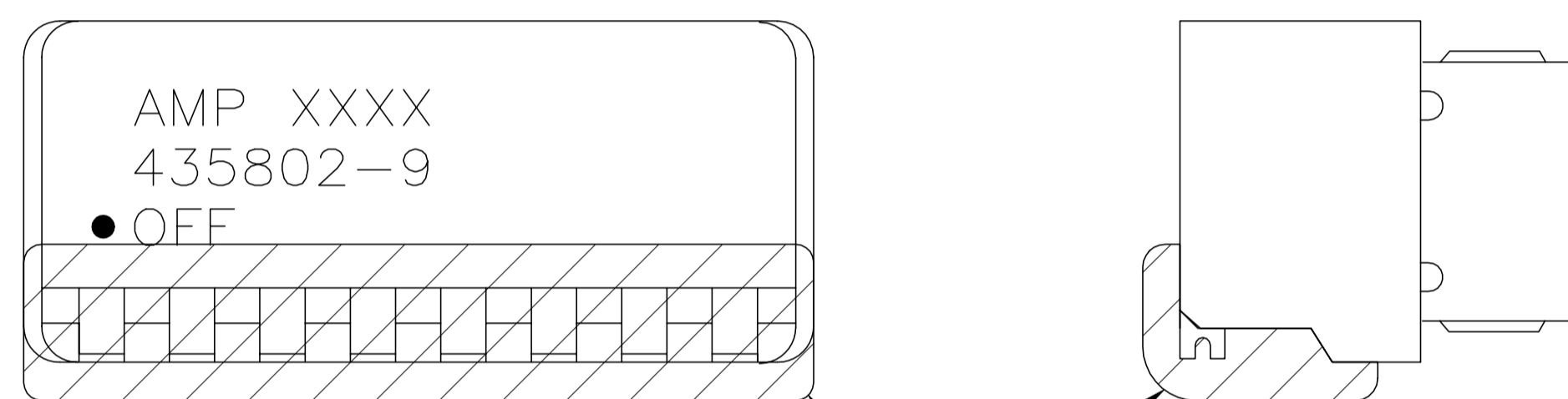
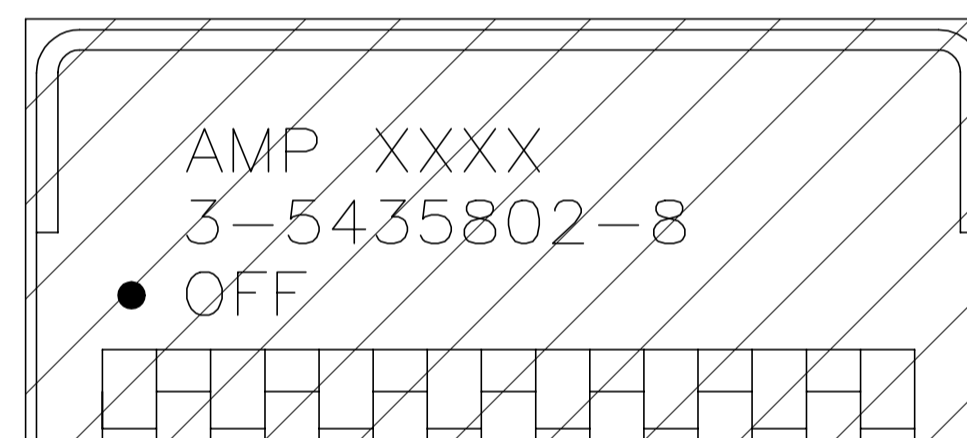


FIG 4



PROTECTIVE SEAL

FIG 6



PROTECTIVE SEAL

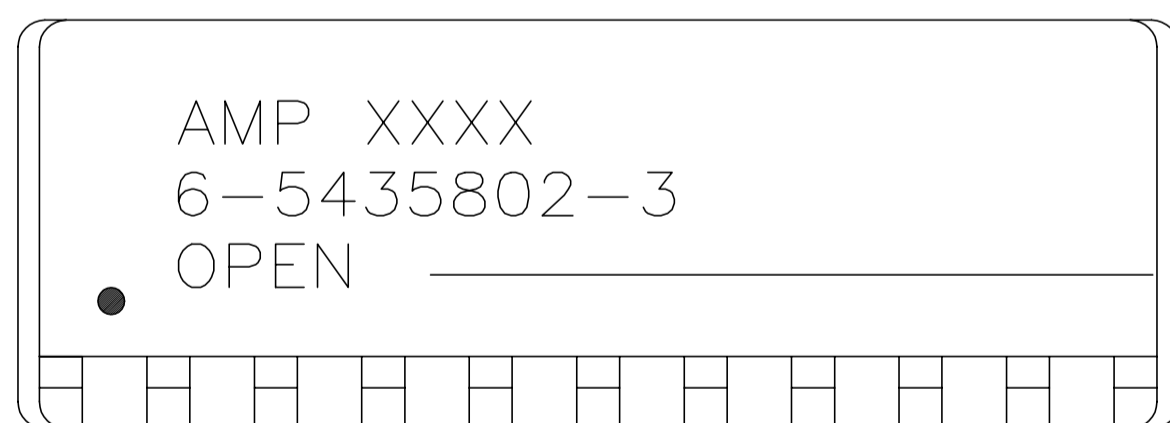


FIG 7

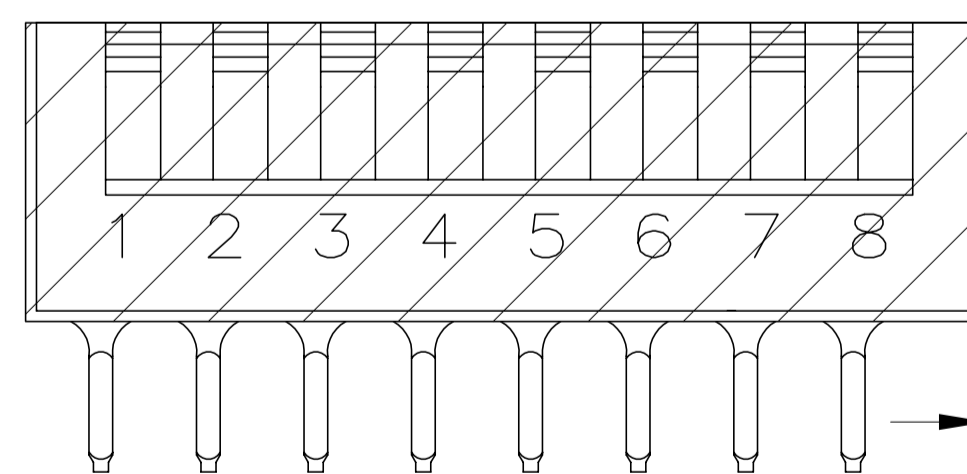


FIG 8

THIS DRAWING IS A CONTROLLED DOCUMENT.		DWN R. TALLEY 19-9-89	TE Connectivity Ltd.													
DIMENSIONS: INCHES		CHK R. MILLER 19-9-89														
TOLERANCES UNLESS OTHERWISE SPECIFIED:		APVD H. LEITER 19-9-89	NAME SWITCH ASSY, DIP, TYPE C, 7000 SERIES, SPST, SIDE ACTUATED													
<table border="0"> <tr><td>0 PLC</td><td>± -</td></tr> <tr><td>1 PLC</td><td>± -</td></tr> <tr><td>2 PLC</td><td>± -</td></tr> <tr><td>3 PLC</td><td>± .005</td></tr> <tr><td>4 PLC</td><td>± -</td></tr> <tr><td>ANGLES</td><td>± -</td></tr> </table>		0 PLC	± -	1 PLC	± -	2 PLC	± -	3 PLC	± .005	4 PLC	± -	ANGLES	± -	PRODUCT SPEC	RESTRICTED TO	
0 PLC	± -															
1 PLC	± -															
2 PLC	± -															
3 PLC	± .005															
4 PLC	± -															
ANGLES	± -															
MATERIAL SEE SHEET 1	FINISH SEE SHEET 1	APPLICATION SPEC	SIZE A2	CAGE CODE 00779	DRAWING NO C=5435802											
CUSTOMER DRAWING		WEIGHT -	SCALE 4:1	SHEET 2 OF 2	REV C											

X-ON Electronics

Largest Supplier of Electrical and Electronic Components

Click to view similar products for [DIP Switches/SIP Switches](#) category:

Click to view products by [TE Connectivity](#) manufacturer:

Other Similar products are found below :

[78M03S](#) [79B10T](#) [8136-475G4T](#) [G7G-1A2-CB-DC12](#) [H7CZL8AC100240](#) [A7SS-M](#) [A8CA-201](#) [DRR60016](#) [DRS4016](#) [1825008-1](#) [1825444-1](#) [25.350.0653.0](#) [SDA10H1BDA](#) [97R06ST](#) [A2C-2A5](#) [1825444-7](#) [ADE08SA04](#) [ADE12S04](#) [192960010](#) [2-1825058-8](#) [25.330.0653.1](#) [25.352.0353.0](#) [CXDRIVEV2X](#) [IKN0600000](#) [IKN0800000](#) [LA2-002-DC24](#) [DBS1003](#) [438872000](#) [DRD10CRAE04](#) [DSR02T](#) [DSS 208 N](#) [E2FMX2D1M1TGJ03M](#) [NDI10H](#) [219-9MSTP](#) [204-6ES](#) [EPM02FV](#) [701521596](#) [NDS08V](#) [76SB05](#) [79A10](#) [TD06H0SK1](#) [Z7.255.9027.0](#) [1-1825058-3](#) [1825428-4](#) [219-10LPSTF](#) [E3ZG6111D03M](#) [G4D212PUSTV2DC5](#) [195-7MSTN](#) [NDI05H](#) [EPG301BT06](#)