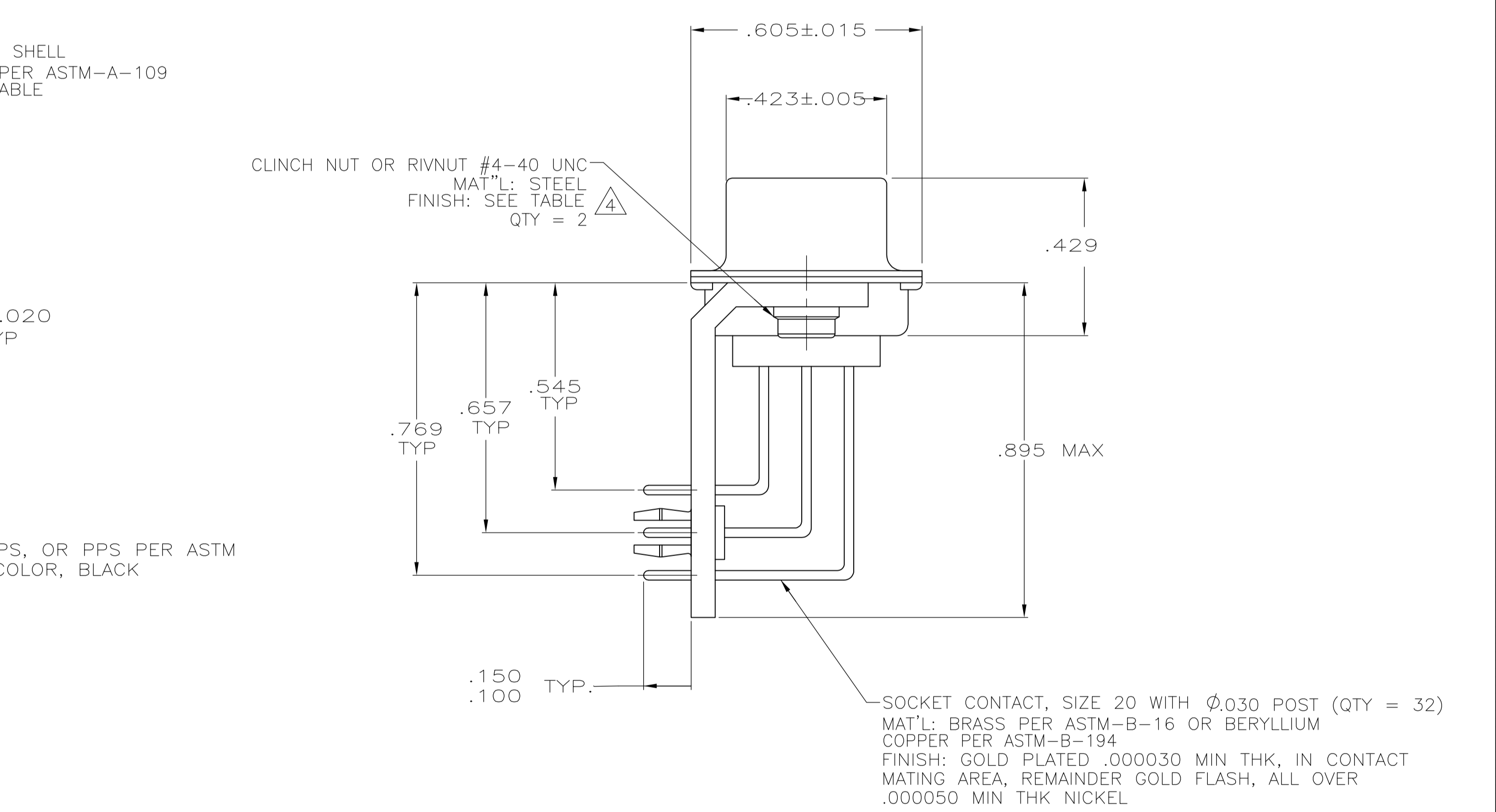
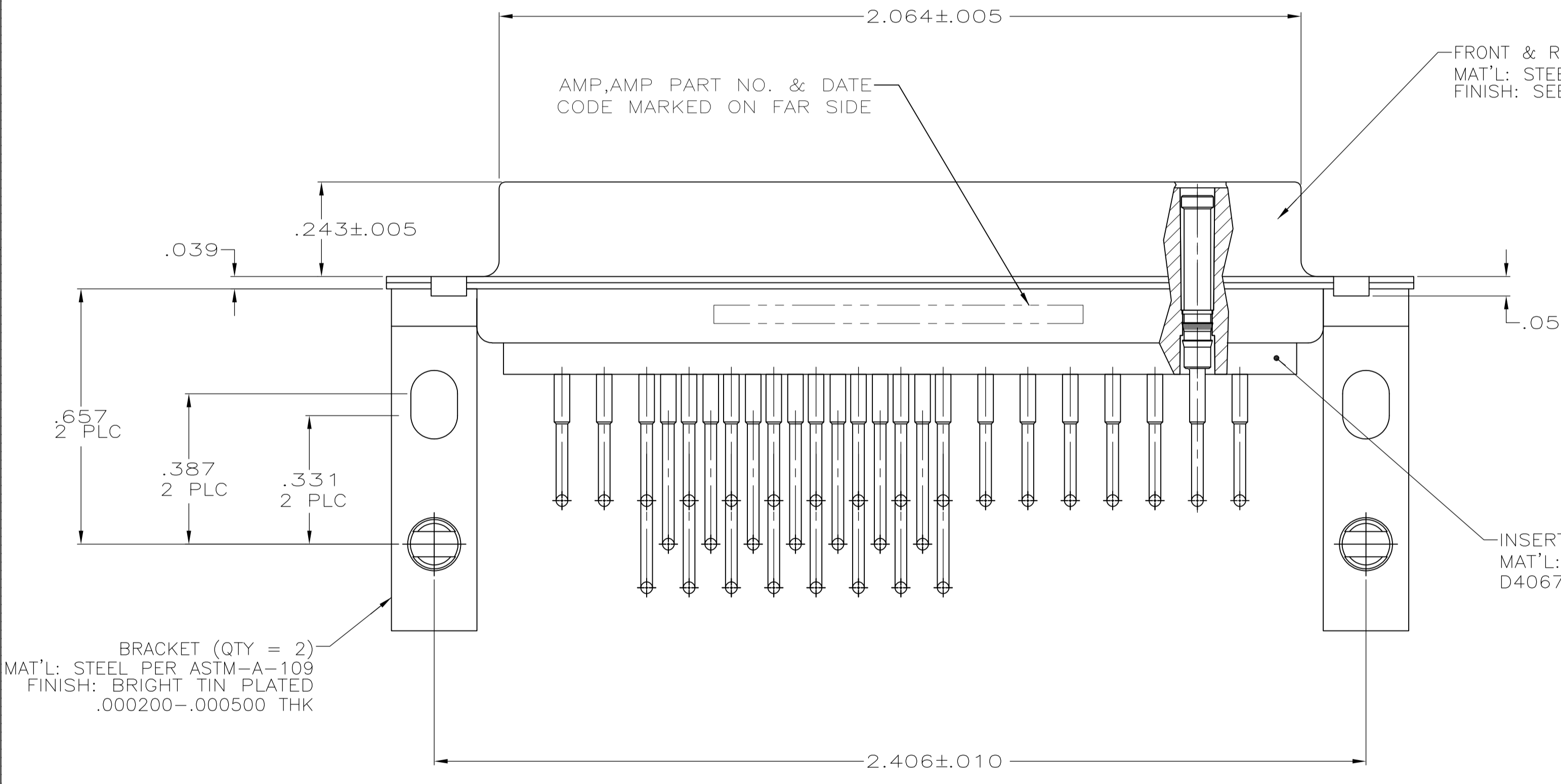
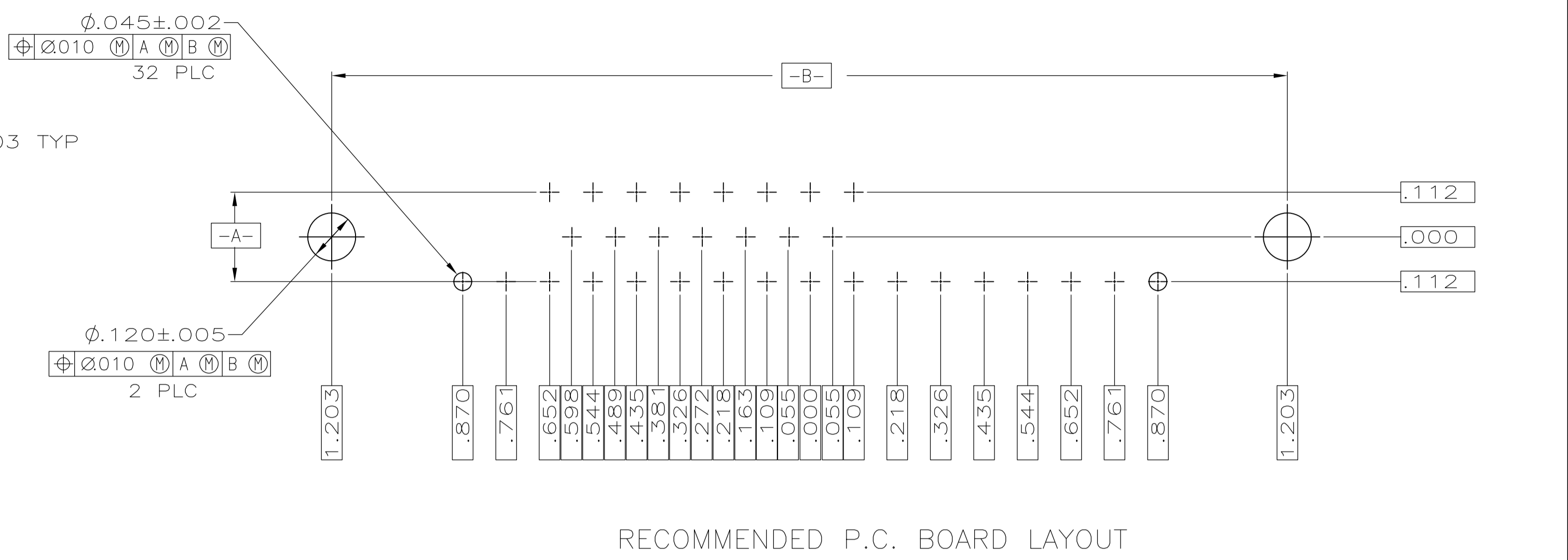
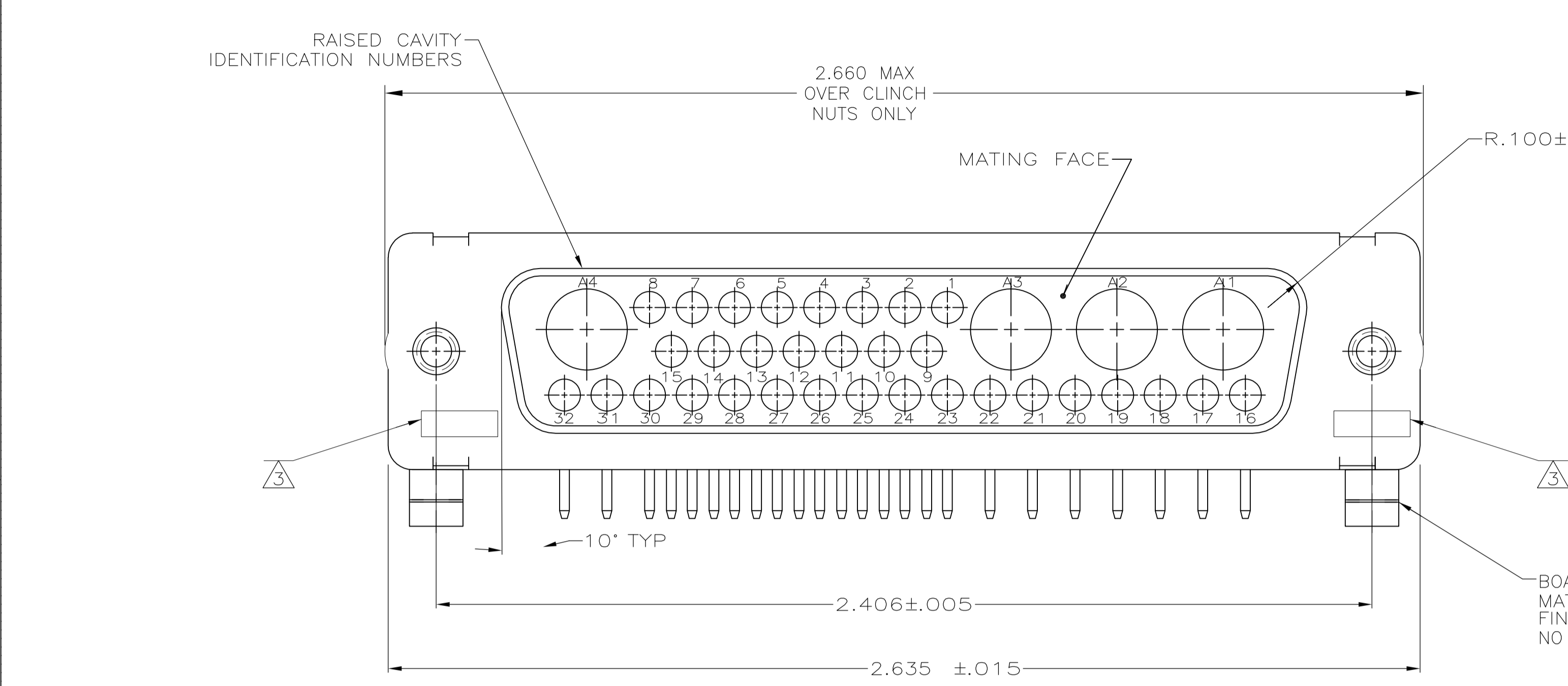
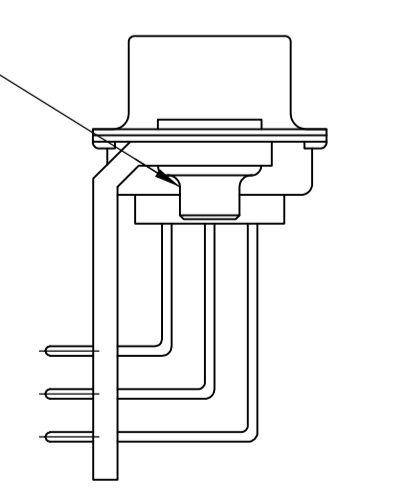


REVISIONS					
P	LTR	DESCRIPTION	DATE	DMN	APVD
M	REV PER ECO	16-018281	1-11-17	CT	DM



- THIS RECEPTACLE WILL MATE WITH ANY 36C4 SIZE 5 PLUG IN THE AMPLIMITE SERIES.
 - THIS CONNECTOR ACCEPTS SIZE 8 POWER OR COAX SOCKET CONTACTS. (QTY = 4) NOT INCLUDED. CONSULT PRODUCT ENGINEERING FOR ADDITIONAL INFORMATION.
- UL/CSA DESIGNATION MARKED IN THIS LOCATION. (OPTIONAL)
RIVNUT MAY BE USED AS ALTERNATE. (SEE DETAIL A). (445029-1 ONLY)



MATTE TIN PLATED .000100 MIN THK	ZINC PLATED .000100 MIN THK WITH SUPPLEMENTARY CHROMATE	ZINC PLATED .000200 MIN THK WITH SUPPLEMENTARY CHROMATE	RoHS COMPLIANT	5-445029-1
MATTE TIN-LEAD .000100 MIN THK	ZINC PLATED .000100 MIN THK YELLOW CHROMATE	CADMIUM PLATED .000300-.000500 THK PER QQ-P-416, YELLOW CHROMATE	AS SHOWN	445029-1
BOARDLOCK FINISH	CLINCH NUT FINISH	SHELL FINISH	DESCRIPTION	PART NO.

THIS DRAWING IS A CONTROLLED DOCUMENT.		DIN C.C.THOMAS 4-15-03		TE Connectivity	
DIMENSIONS: INCHES		TOLERANCES UNLESS OTHERWISE SPECIFIED:		NAME	
0 PLC ± .010		1 PLC ± .005		D.MILLER 4-15-03	
1 PLC ± .005		2 PLC ± .002		PRODUCT SPEC	
2 PLC ± .002		3 PLC ± .001		APPLICATION SPEC	
3 PLC ± .001		4 PLC ± .0005		SIZE	
4 PLC ± .0005		ANGLES ± 9° 30'		CAGE CODE DRAWING NO	
MATERIAL SEE CALLOUTS		FINISH SEE CALLOUTS		WEIGHT 0.000000	
				A1 00779 445029	
				CUSTOMER DRAWING	
				SCALE 4:1 SHEET 1 OF 1 REV M	

X-ON Electronics

Largest Supplier of Electrical and Electronic Components

Click to view similar products for [D-Sub MIL Spec Connectors](#) category:

Click to view products by [TE Connectivity](#) manufacturer:

Other Similar products are found below :

[M24308/4-13Z](#) [M8351307-B](#) [D38999/20FJ43HN](#) [D38999/24WG11PB-LC](#) [D38999/24WG41HN](#) [MDM-15PH041P](#) [MDM-21PH041P](#) [MDM-21SH003B-K139](#) [850-056-0812](#) [1218697-4](#) [DBMM25S](#) [MS27467T21F41S](#) [17D25HV](#) [1996840-1](#) [243082-15](#) [1663962-1](#) [1757682-1](#) [17D-E51218-1](#) [17SDA15S](#) [1883533-1](#) [1883886-1](#) [1883889-1](#) [192900-0377](#) [308-CP6P0441-024H](#) [M24308/2-3Z](#) [M24308/4-3Z](#) [M24308/4-4F](#) [M24308/4-4Z](#) [M24308/8-347](#) [M83513/03-E09C](#) [M83723/75W2212N L/C](#) [D38999/24FJ29PN-LC](#) [D38999/24WG11SB-LC](#) [MDM-21PH046P](#) [5-1218949-1](#) [550-031NF1R6K](#) [550E001NF1R3J0L](#) [550T001NF1R6K0L](#) [557T283NF5B08](#) [C115368-1612B](#) [C115370-1717B](#) [DC121073157](#) [443869-3](#) [443869-4](#) [443869-5](#) [550S004NF1R1B0F03](#) [550-031NF1R2E](#) [550E003M2R9J0F04](#) [550E003M3R9J0F05](#) [550E024M104R9J0](#)