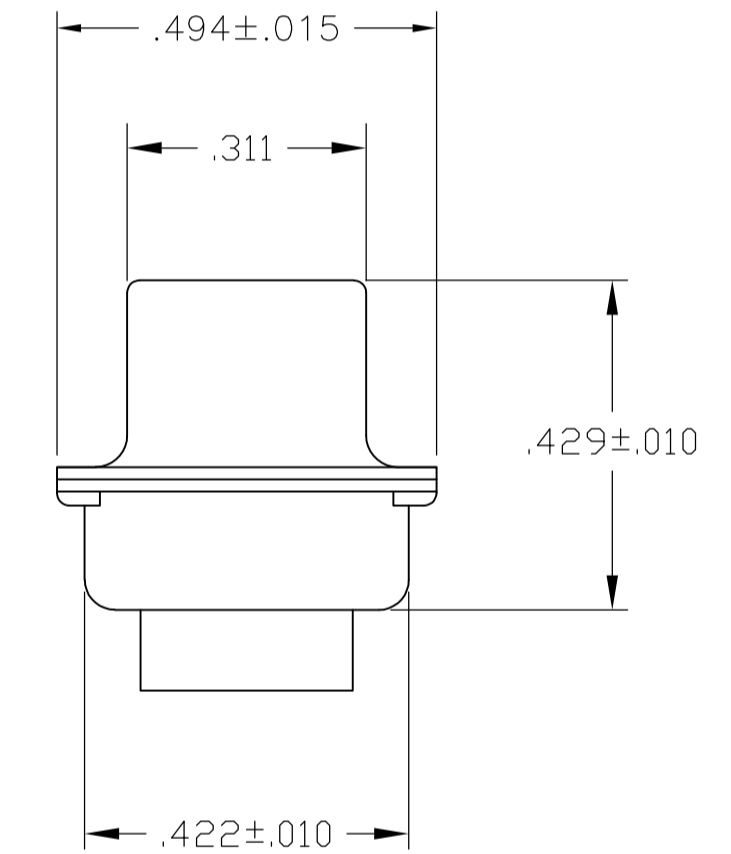
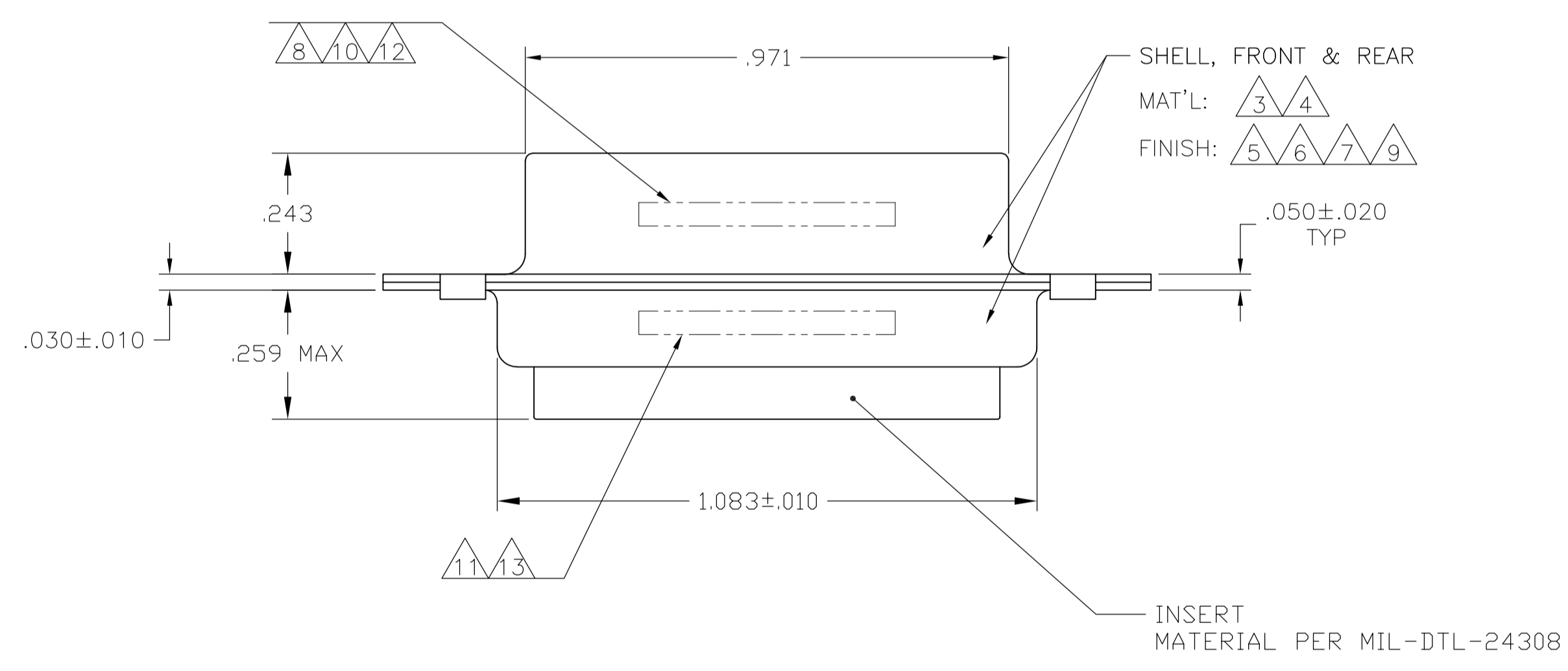
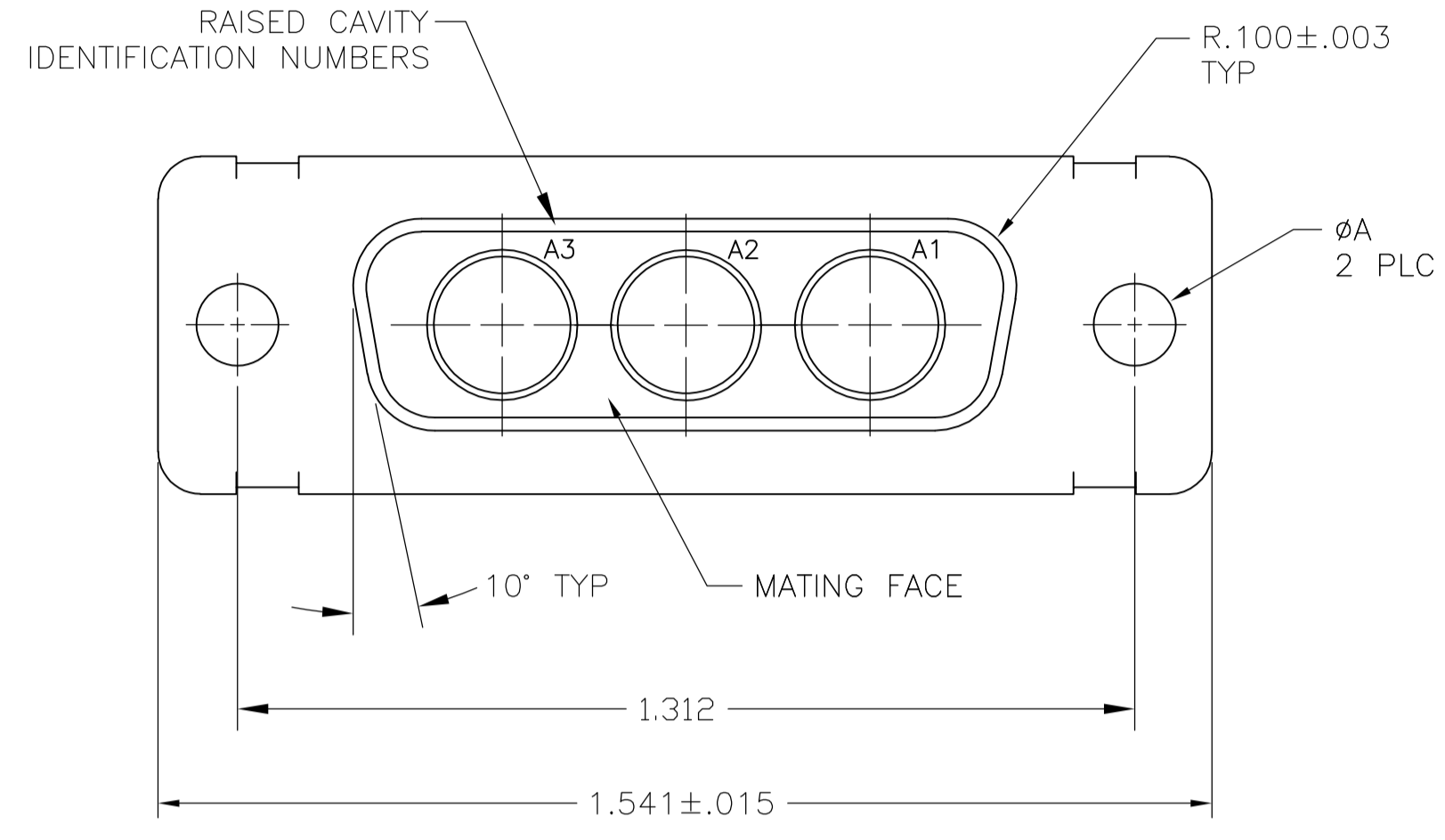


LOC		DIST		REVISIONS			
P	LTR	DESCRIPTION	DATE	DWN	APVD		
Y		REV PER ECO-15-016251	13NOV15	KG	CD		

- 1 THIS RECEPTACLE WILL MATE WITH ANY 3C3, SIZE 2 PLUG IN AMPLIMITE SERIES.
- 2 THIS CONNECTOR ACCEPTS (3) POWER 8, OR COAX SOCKET CONTACTS IN POSITIONS A1 THRU A3, PURCHASED SEPARATELY.
- 3 STEEL PER ASTM-A-109.
- 4 BRASS PER MIL-C-50 AND ASTM-B-36 UNS NO. C26000.
- 5 FINISH: TIN PER ASTM-B-545 .000400 MIN THK OVER COPPER PER AMS2418 .000050 MIN THK.
- 6 GOLD PLATED PER MIL-G-45204 TYPE II, GRADE C, CLASS 1 OVER COPPER PER MIL-C-14550, CLASS IV.
- 7 FINISH: PLATED CADMIUM PER QQ-P-416, TYPE II, CLASS 2, OVER COPPER PER MIL-C-14550, CLASS IV.
- 8 IF CUSTOMER PART NUMBER DOES NOT FIT ON FRONT SHELL NEAR SIDE, THEN SPLIT BETWEEN FRONT AND REAR SHELL FAR SIDE.
- 9 FINISH: ZINC PLATE PER ASTM-B-633 .000200-.000400 THK WITH SUPPLEMENTARY CHROMATE (Cr3+).
- 10 MANUFACTURER'S NAME, BRAND OR LOGO AND DATE CODE MARKED ON FAR SIDE. CUSTOMER PART NO MARKED ON NEAR SIDE
- 11 MFG'S PART NUMBER MARKED ON FAR SIDE
- 12 MARK DATE CODE AND CUSTOMER PART NUMBER, FAR SIDE
- 13 MARK MFG PART NUMBER ON NEAR SIDE



	3 9 10 11	.120	-	5-445705-4
	3 7 12 13	.120	T5935-0103-005	445705-8
	3 5 10 11	.120	-	445705-7
OBsolete	4 6 10 11	.120	A010942-0042	445705-6
	4 6 8 10 11	.120	B010942-0014	445705-5
	3 7 10 11	.120	-	445705-4
	4 6 8 10 11	.154	311P405-7S-B-15	445705-3
	4 6 8 10 11	.120	311P405-7S-B-12	445705-2
	3 5 10 11	.120	-	445705-1
REMARKS	øA	CUSTOMER PART NO.	PART NO.	

THIS DRAWING IS A CONTROLLED DOCUMENT.

DIMENSIONS: INCHES	TOLERANCES UNLESS OTHERWISE SPECIFIED:	DIN C.C.THOMAS 01NOV88	APVD A.FMADI 02NOV88	NAME
0 PLC ± -	1 PLC ± -	2 PLC ± -	3 PLC ± .005	4 PLC ± -
ANGLES ± 0° 30'	FINISH SEE TABLE	WEIGHT	SIZE A1	CAGE CODE 00779
MATERIAL SEE TABLE	SEE TABLE	CUSTOMER DRAWING	SCALE 4:1	SHEET 1 OF 1

STE TE Connectivity
RECEPTACLE ASSEMBLY
AMPLIMITE 3C3
SIZE 2, SERIES 109, COAX MIX

00779 445705

X-ON Electronics

Largest Supplier of Electrical and Electronic Components

Click to view similar products for [D-Sub MIL Spec Connectors](#) category:

Click to view products by [TE Connectivity](#) manufacturer:

Other Similar products are found below :

[M85049/50-5F](#) [D38999/24WG11PB-LC](#) [MDM-9SH006A](#) [1218697-4](#) [D38999/26WJ61PC L/C](#) [1484349-1](#) [17D25HV](#) [1996840-1](#) [243082-15](#)
[1757682-1](#) [17D-E51218-1](#) [17SDA15S](#) [1883533-1](#) [1883886-1](#) [1883889-1](#) [192900-0377](#) [M24308/8-347](#) [M83513/03-E09C](#) [443961-3](#) [5-](#)
[1218949-1](#) [550-031NF1R6K](#) [3-1236089-2](#) [550E001NF1R3J0L](#) [550T001NF1R6K0L](#) [557T283NF5B08](#) [DC121073157](#) [443869-3](#) [443869-4](#)
[443869-5](#) [550S004NF1R1B0F03](#) [557E283NF1A06](#) [527-019NF0303R2K1F](#) [5-446405-1](#) [550-031NF1R2E](#) [550E003M2R9J0F04](#)
[550E003M3R9J0F05](#) [550E024M104R9J0](#) [550E024NF102R3J0B](#) [550E039NF1R3J1-02](#) [550S003M3R9B0F05](#) [550S004M4R7M0F04](#)
[550S004NF1R1B1F02](#) [550S008M3F0K0F04](#) [550S086M5R3J0L](#) [550S100NF3F0E](#) [550T001M2R7E0L](#) [550T001NF1F0B1L](#)
[550T001NF1R1K0G](#) [550T001NF1R3K0G](#) [550T001NF1R4K0L](#)