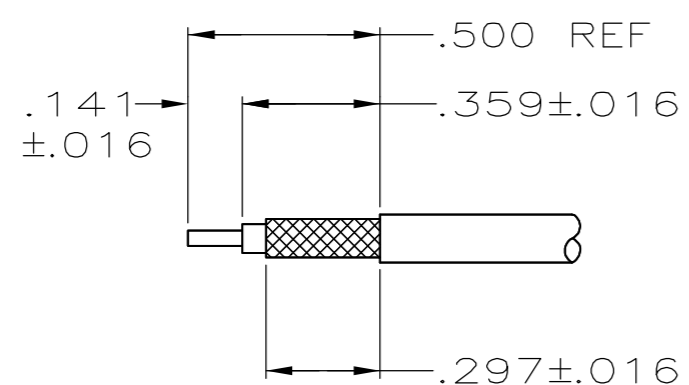
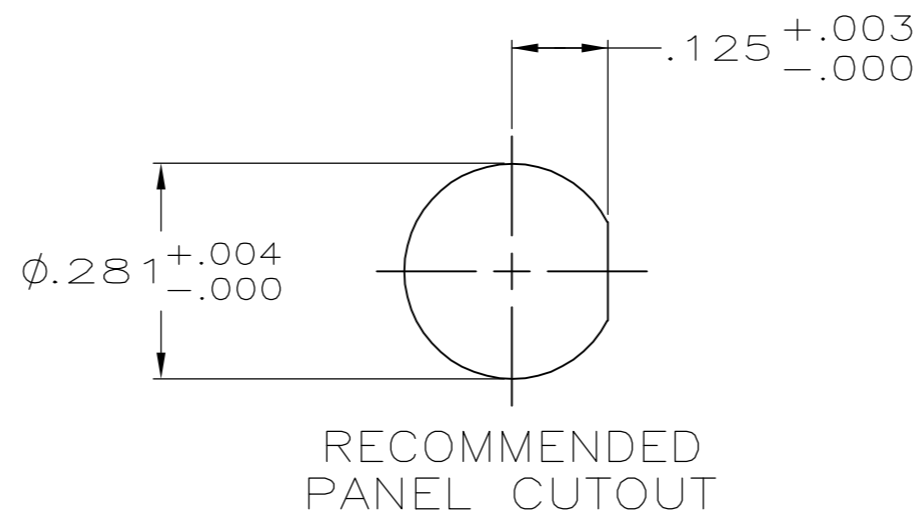
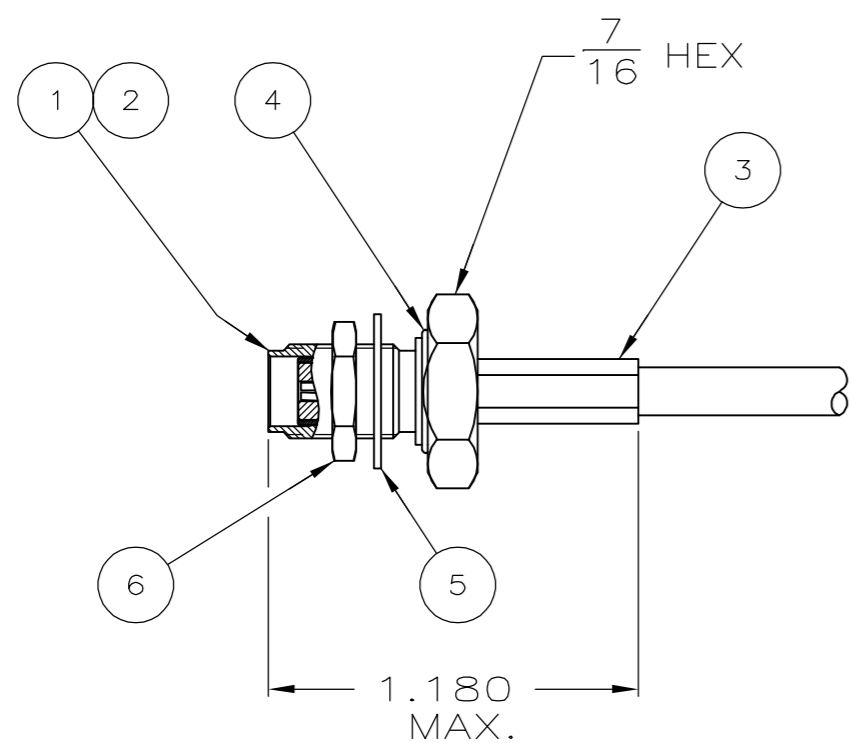


THIS DRAWING IS UNPUBLISHED. RELEASED FOR PUBLICATION
 © COPYRIGHT BY TYCO ELECTRONICS CORPORATION. ALL RIGHTS RESERVED.

LOC	DIST	REVISIONS			
P	LTR	DESCRIPTION	DATE	DWN	APVD
AJ	16	0	REV PER EC-0S14-0496-04	31JAN2005	LV DC



RECOMMENDED STRIP LENGTH FOR CRIMPED CENTER CONTACT

- ⚠ CENTER CONTACT: CRIMPING TOOL M22520/2-01 POSITIONER, DMC K997 SELECTOR SETTING PER TABLE.
- ⚠ FERRULE: CRIMPING TOOL M22520/5-01 DIE NUMBER OR HEX SIZE PER TABLE.
- 3. PRODUCT IS DESIGNED TO MEET PRODUCT SPECIFICATION 108-1574.
- ⚠ BRIGHT NICKEL PLATE.
- 5. INSTRUCTION SHEET: 408-4032

RG-174, 188 A, 316	DIE M22520/5-35 B OR .128X.400 HEX	#4	⚠	BRASS	2-332004-0	1-22145-3	1-22130-6	9-446556-1	447842-3	447870-4	5447650-3
CABLE SIZE	⚠ DIE # OR HEX SIZE	⚠ SELECTOR SETTING	SHELL		⑥ JAM NUT QTY=1	⑤ LOCK WASHER QTY=1	④ O-RING QTY=1	③ FERRULE QTY=1	② CONTACT QTY=1	① BULKHEAD JACK ASSY QTY=1	PART NUMBER

THIS DRAWING IS A CONTROLLED DOCUMENT.

DWN	L. VARELA - DOCK5	31JAN2005
CHK	J. HAVENER	31JAN2005
APVD	D. CAMELIO	31JAN2005

tyco Tyco Electronics Corporation
Electronics Harrisburg, PA 17105-3608

NAME: CONNECTOR, JACK, BULKHEAD, SMA, HEX CRIMP, COMMERCIAL

SIZE	CAGE CODE	DRAWING NO	RESTRICTED TO
A2	00779	C=5447650	-

CUSTOMER DRAWING SCALE: NONE SHEET 1 OF 1 REV 0

X-ON Electronics

Largest Supplier of Electrical and Electronic Components

Click to view similar products for [RF Connectors](#) / [Coaxial Connectors](#) category:

Click to view products by [TE Connectivity](#) manufacturer:

Other Similar products are found below :

[8915-1511-000](#) [89674-0827](#) [6001-7071-019](#) [6002-7051-003](#) [6002-7551-202](#) [6059674-1](#) [619550-1](#) [630059-000](#) [M39030/3-01N](#) [6500-7071-046](#) [6769](#) [CX050L2AQ](#) [7002-1542-011](#) [7004-1512-000](#) [7009-1511-004](#) [7010-1511-000](#) [7029-1511-060](#) [7101-1541-010](#) [7101-1571-002](#) [7105-1521-002](#) [7145-1521-002](#) [7203-1571-003](#) [7209-1511-011](#) [7210-1511-015](#) [7210-1511-019](#) [73137-5015](#) [73216-2241](#) [73404-2300](#) [7405-1521-005](#) [7405-1521-802](#) [8527](#) [8547](#) [FS11V](#) [877931](#) [9049-9513-000](#) [9074-9513-000](#) [9101-9573-002](#) [910A205F](#) [9130-9573-002](#) [PL11SC-026](#) [PL375-33](#) [PL40-5](#) [PL74C-221](#) [PL75MC-217](#) [PL803-7](#) [1200690078](#) [1-201144-1](#) [R107003010W](#) [R110A172100](#) [R112186000](#)