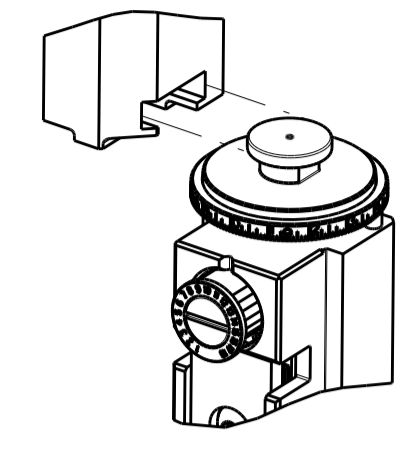


| PART NUMBER | REVISION | DESCRIPTION                      | FEED TYPE                            |
|-------------|----------|----------------------------------|--------------------------------------|
| 2836871-1   | B        | FINE CRIMP HEIGHT ADJUST         | MECHANICAL                           |
| 2836871-2   | B        | FINE CRIMP HEIGHT ADJUST         | PNEUMATIC                            |
| 3-2836871-2 | B        | FINE CRIMP HEIGHT ADJUST         | DOUBLE ACTING PNEUMATIC WITH SENSORS |
| 7-2836871-1 | B        | MECHANICAL AND CRIMP TOOLING KIT | MECHANICAL                           |
| 7-2836871-2 | B        | PNEUMATIC AND CRIMP TOOLING KIT  | PNEUMATIC                            |
| 7-2836871-7 | A        | CRIMP TOOLING KIT                | -                                    |

ATLANTIC VERSION TERMINATOR INTERFACE ADAPTER



| APPLICATOR DATA |                |      |
|-----------------|----------------|------|
| CRIMP           | SIZE           | TYPE |
| WIRE            | 1.40 mm [.055] | F    |
| INSUL           | 1.68 mm [.066] | F    |

APPLICATOR INSTRUCTIONS  
408-35042

| TERMINAL DATA: DELPHI PACKARD TERMINAL DELPHI CRIMP SPECIFICATION |                                    |             |                         |
|---|------------------------------------|-------------|-------------------------|
| TERMINAL NAME: TAXI TERMINAL F OCS 1.2                            |                                    |             |                         |
| WIRE STRIP LENGTH   | TERMINAL INSULATION DIAMETER RANGE |             |                         |
| 3.90-4.70 mm [1.54-.185 IN]                                       | Ø1.20-1.60 mm [0.047-.063 IN]      |             |                         |
| TERMINAL APPLICATION SPECIFICATION                                | DELPHI Rev                         |             |                         |
|   | 5                                  |             |                         |
| TERMINALS APPLIED   |                                    |             |                         |
| TE TERMINAL   | DELPHI PACKARD TERMINAL            | TE TERMINAL | DELPHI PACKARD TERMINAL |
| 2318346-1   | 33103493                           | 2237157-1   | 35080799                |
| 2336845-1   | 35072409                           |             |                         |

| WIRE SIZE | CRIMP HEIGHT mm [INCH]        | CRIMP HEIGHT REFERENCE SETTING |
|-----------|-------------------------------|--------------------------------|
| 0.50mm2   | 0.90 +/- 0.05 [.035 +/- .002] | 3.7                            |
| 0.35mm2   | 0.85 +/- 0.05 [.033 +/- .002] | 4.0                            |

- 1. RECOMMENDED SPARE PARTS
- 2. REFER TO SUPPLIED INSTRUCTION SHEET FOR CLEANING, LUBRICATION AND STORAGE OF APPLICATOR.
- 3. APPLY PART NUMBER 2-23419-6 LOCTITE TO THREADS OF ITEM 242.
- 4. CRIMP HEIGHT REFERENCE SETTING WAS THE SETTING USED WHEN THE APPLICATOR WAS QUALIFIED AT THE FACTORY. ADJUSTMENT MAY BE NECESSARY WHEN RUNNING APPLICATOR IN THE FIELD.
- 5. TERMINAL LUBRICANT IS RECOMMENDED.
- 6. THIS APPLICATOR IS EQUIPPED WITH THE DOUBLE ACTING FEED WITH SENSORS AND IS APPLICATION SPECIFIC. IT DOES NOT REQUIRE ITEMS 49 & 248.
- 7. UNLESS SPECIFIED OTHERWISE TORQUE VALUES SHALL BE USED PER DOCUMENT, 101-35000.

**\*WARNING**  
ON INSTALLATION, SET WIRE DISC TO CRIMP HEIGHT REFERENCE SETTING FOR LARGEST WIRE SIZE. CRIMP HEIGHT REFERENCE SETTINGS GREATER THAN THE VALUE SHOWN MAY CAUSE DAMAGE TO THE CRIMP TOOLING, REFER TO THE INSTRUCTION SHEET FOR PROPER SETUP AND ADJUSTMENTS.

ATLANTIC VERSION  
Shown on sheets 1 of 4 & 2 of 4  
(Pacific version shown on sheets 3 of 4 & 4 of 4)

| LOC | DIST | REVISIONS |               |           |         |
|-----|------|-----------|---------------|-----------|---------|
|     |      | REV       | DATE          | BY        | APPV    |
| A   | 66   | A         | RELEASED      | 13SEP2017 | TB CT   |
|     |      | A1        | ECR-18-004769 | 29MAR2018 | MEH JDG |
|     |      | B         | ECR-19-002752 | 20FEB2019 | FJ TE   |
|     |      | B1        | ECR-19-009881 | 25JUN2019 | FZ TE   |

|   |     |     |     |     |     |             |                                     |         |
|---|-----|-----|-----|-----|-----|-------------|-------------------------------------|---------|
| - | 1   | -   | -   | 1   | -   | 2119640-1   | PUSH ROD, AIR FEED                  | 250     |
| - | 1   | -   | -   | 1   | -   | 1803259-1   | BUSHING, FLANGED                    | 249     |
| - | 1   | -   | -   | 1   | -   | 2119641-1   | FEED CAM, AIR FEED                  | 248     |
| - | 1   | 1   | 1   | 1   | 1   | 2119082-5   | CAM, SNAIL, INSULATION ADJUSTMENT   | 244     |
| - | 1   | 1   | 1   | 1   | 1   | 2079764-1   | WASHER, WAVE SPRING, CREST-TO-CREST | 243     |
| - | 1   | 1   | 1   | 1   | 1   | 2119083-1   | RETAINER, INSULATION DIAL           | 242     |
| - | 1   | 1   | 1   | 1   | 1   | 7-18023-7   | SCR, SKT HD CAP M3 X 4.0            | 241     |
| - | 1   | 1   | -   | -   | 1   | 2119580-1   | MECHANICAL FEED ASSEMBLY            | 239     |
| - | 1   | -   | -   | 1   | -   | 2063440-1   | AIR FEED MODULE                     | 238     |
| - | 2   | -   | 2   | 2   | -   | 21045-3     | RING, RETAIN, EXTERN, 3/16 CRESCENT | 172     |
| - | REF | REF | REF | REF | REF | 994970-2    | COUNTER, MAGNETIC                   | 164     |
| - | 1   | -   | 1   | 1   | -   | 240638-1    | SPRING, FEED FINGER                 | 163     |
| - | 1   | -   | 1   | 1   | -   | 3-23627-7   | PIN, RETAIN, GRVD, 3/16 X .854      | 137     |
| - | 1   | -   | 1   | 1   | -   | 2119799-1   | HOLDER, FEED FINGER, AF             | 136     |
| - | 1   | 1   | 1   | 1   | 1   | 2119955-1   | ASSY, LUBRICATOR, SIDE FEED         | 113     |
| - | 1   | 1   | 1   | 1   | 1   | 2844908-1   | SCREW, LOCKING                      | 99      |
| - | 1   | 1   | 1   | 1   | 1   | 2844907-1   | POST, LOCKING                       | 98      |
| - | 1   | 1   | 1   | 1   | 1   | 455888-5    | SPACER, CRIMPER                     | 82      |
| - | 1   | 1   | 1   | 1   | 1   | 1803607-1   | DOCUMENTATION PACKAGE               | 71      |
| - | 1   | 1   | 1   | 1   | 1   | 2119791-9   | DEPRESSOR, WIRE                     | 70      |
| - | 1   | 1   | 1   | 1   | 1   | 2119740-1   | TAG, IDENTIFICATION                 | 67      |
| - | 2   | 2   | 2   | 2   | 2   | 2168078-1   | SCREW, DRIVE, RH, RoHS, 2 x .188    | 66      |
| - | 1   | 1   | 1   | 1   | 1   | 2168083-2   | SCR, SKT HD CAP, RoHS, M4 X 8.0     | 60      |
| - | 1   | 1   | 1   | 1   | 1   | 5-18022-5   | SCR, HEX HD CAP, M4 X 6.0           | 59      |
| - | 1   | 1   | 1   | 1   | 1   | 1338685-1   | PAWL, FEED                          | 56      |
| - | 4   | 4   | 4   | 4   | 4   | 2168083-3   | SCR, SKT HD CAP, RoHS, M4 X 12.0    | 54      |
| - | 2   | 2   | 2   | 2   | 2   | 2-2168083-5 | SCR, SKT HD CAP, RoHS, M4 X 14      | 53      |
| - | 1   | 1   | 1   | 1   | 1   | 5018030-1   | NUT, HEX, REG, RoHS, M3             | 52      |
| - | 1   | 1   | 1   | 1   | 1   | 811242-5    | BUMPER, HOLD DOWN                   | 51      |
| - | 1   | 1   | 1   | 1   | 1   | 690753-2    | SPACER, TONKER                      | 50      |
| - | 1   | 2   | -   | 1   | 2   | 18023-9     | SCR, SKT HD CAP M4 X 6.0            | 49      |
| - | -   | 1   | -   | -   | 1   | 2119652-1   | FEED CAM, PRE FEED                  | 48      |
| - | -   | 1   | -   | -   | 1   | 2119653-1   | FEED CAM, POST FEED                 | 47      |
| - | 1   | 1   | 1   | 1   | 1   | 1803583-9   | APPLICATOR BASIC ASSEMBLY, SF       | 46      |
| - | 1   | 1   | 1   | 1   | 1   | 1803515-1   | RAM ASSEMBLY, SF ATLANTIC           | 44      |
| - | 1   | 1   | 1   | 1   | 1   | 1803602-1   | SCR, BHSC, RoHS (M8 X 25)           | 41      |
| - | 1   | 1   | 1   | 1   | 1   | 1752356-6   | SUPPORT, TERMINAL                   | 34      |
| - | 2   | 2   | 2   | 2   | 2   | 2079383-5   | SCR, BHSC, RoHS (M4 X 20)           | 33      |
| - | 2   | 2   | 2   | 2   | 2   | 2-2844962-4 | SPACER, CYLINDRICAL, STRIP GUIDE    | 30      |
| - | 1   | 1   | 1   | 1   | 1   | 2844992-2   | ASSEMBLY, STRIP GUIDE               | 29      |
| - | 1   | 1   | 1   | 1   | 1   | 1320928-2   | STRIP GUIDE                         | 24      |
| - | 1   | 1   | 1   | 1   | 1   | 2168083-2   | SCR, SKT HD CAP, RoHS, M4 X 8.0     | 21      |
| - | 2   | 2   | 2   | 2   | 2   | 1-18028-2   | WASHER, FLAT, REG M4                | 20      |
| - | 1   | 1   | 1   | 1   | 1   | 2119533-1   | STRIPPER, SIDE FEED                 | 19      |
| - | 1   | 1   | 1   | 1   | 1   | 2119806-1   | INSERT, SHEAR                       | 13      |
| - | 1   | 1   | 1   | 1   | 1   | 3-22280-3   | SPRING, COMPRESSION                 | 12      |
| - | 1   | 1   | 1   | 1   | 1   | 1-356885-4  | STOP, SHEAR                         | 11      |
| - | 1   | 1   | 1   | 1   | 1   | 2119805-1   | SHEAR HOLDER, FRONT                 | 10      |
| - | 1   | 1   | 1   | 1   | 1   | 1803095-6   | FLOATING SHEAR, FRONT               | 9       |
| - | 1   | 2   | 2   | 1   | 1   | 6-1633917-5 | ANVIL, COMBINATION                  | 8       |
| - | 1   | 1   | 1   | 1   | 1   | 240641-5    | SPACER                              | 7       |
| - | -   | -   | -   | -   | -   | -           | -                                   | 6       |
| - | 1   | 1   | 1   | 1   | 1   | 2119757-4   | DEPRESSOR, SHEAR                    | 5       |
| - | 1   | 1   | 1   | 1   | 1   | 238011-4    | BLOCK, CRIMPER SPACER               | 4       |
| - | 1   | 2   | 2   | 1   | 1   | 8-1633961-4 | CRIMPER, INSULATION F PREMIUM       | 3       |
| - | 1   | 1   | 1   | 1   | 1   | 455888-7    | SPACER, CRIMPER                     | 2       |
| - | 1   | 2   | 2   | 1   | 1   | 456402-6    | CRIMPER, WIRE PREMIUM               | 1       |
| - | 77  | -72 | -71 | -32 | -2  | -1          | PART NO                             | ITEM NO |

| DIMENSIONS: |         | TOLERANCES UNLESS OTHERWISE SPECIFIED: |         | MATERIAL: |         | FINISH: |        | WEIGHT:                                |       | SCALE: |              |
|-------------|---------|--|---------|-----------|---------|---------|--------|--|-------|--------|--------------|
| mm          | 0 PLC ± | 1 PLC ±                                | 2 PLC ± | 3 PLC ±   | 4 PLC ± | ANGLES  | FINISH | Customer Accessible Production Drawing | SCALE | 1:2    | SHEET 1 OF 4 |

**STE** TE Connectivity  
Harrisburg, PA 17105-3608

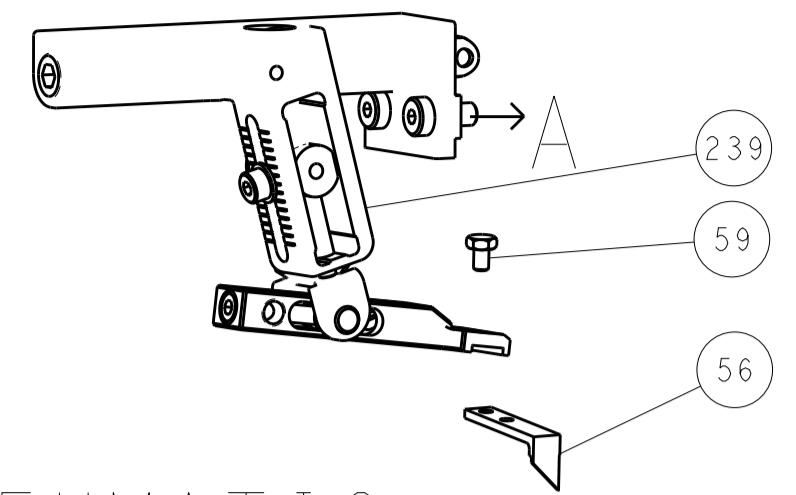
NAME: Ocean Side Feed Applicator

SIZE: A1 00779 C=2836871

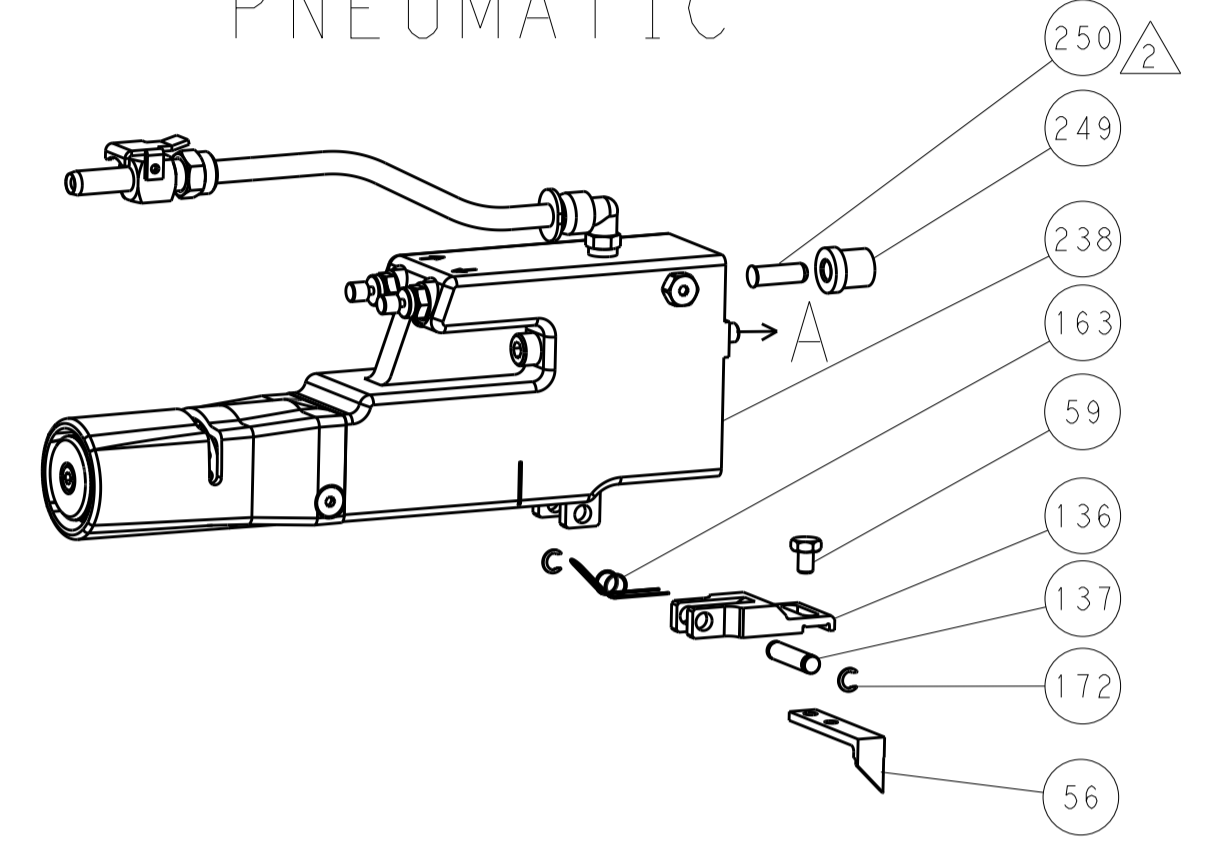
RESTRICTED TO: REV B1

| LOC | DIST | REV | DATE | BY | APPV |
|-----|------|-----|------|----|------|
| A   | 66   |     |      |    |      |
|     |      |     |      |    |      |
|     |      |     |      |    |      |

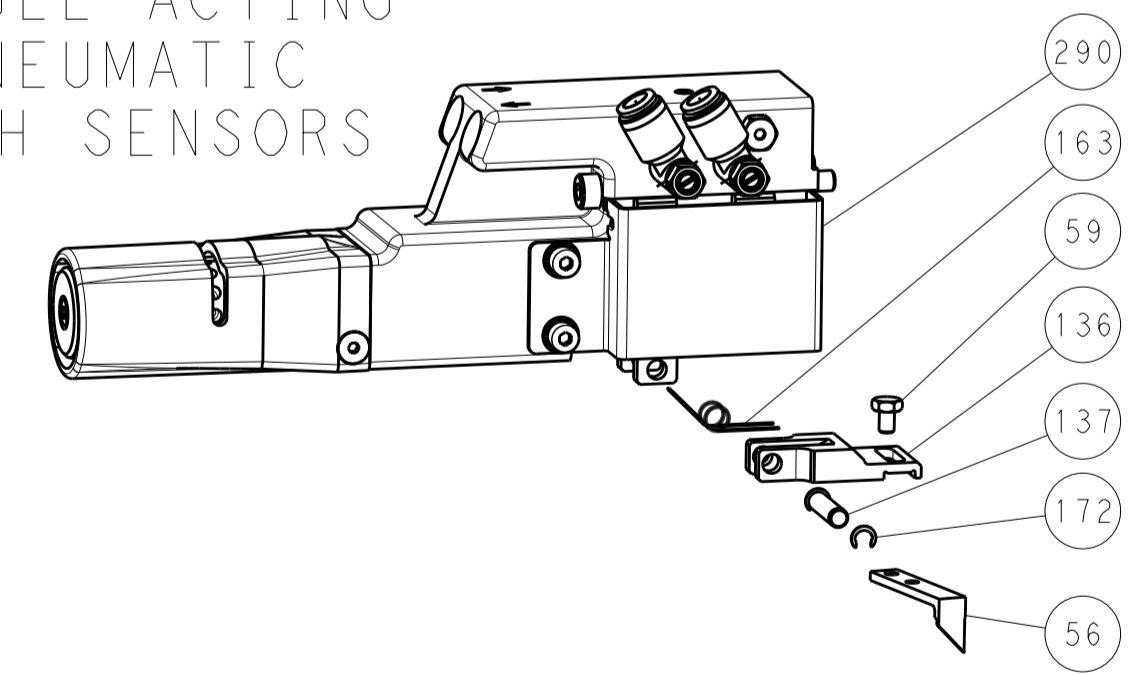
### FEED TYPE MECHANICAL



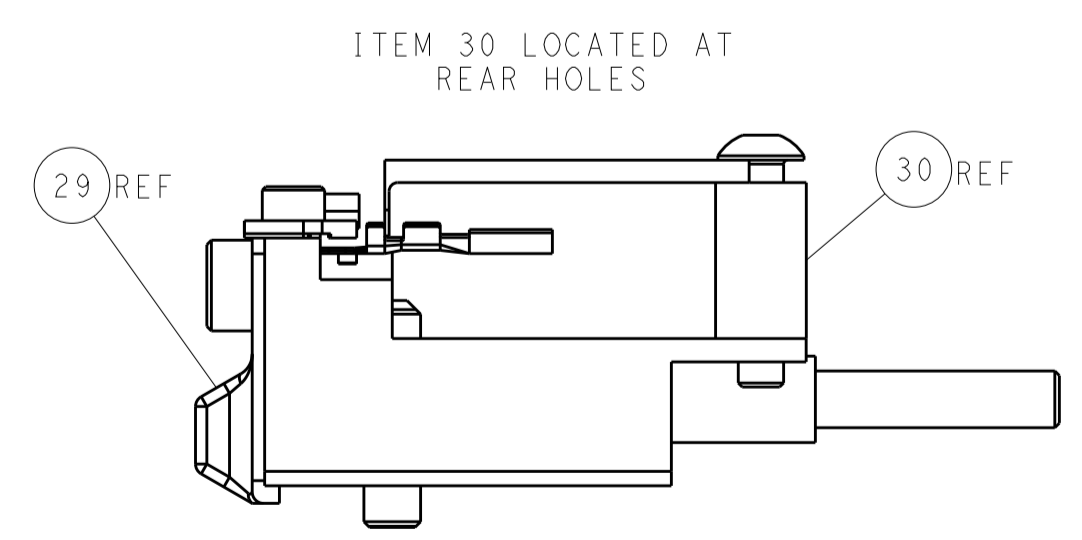
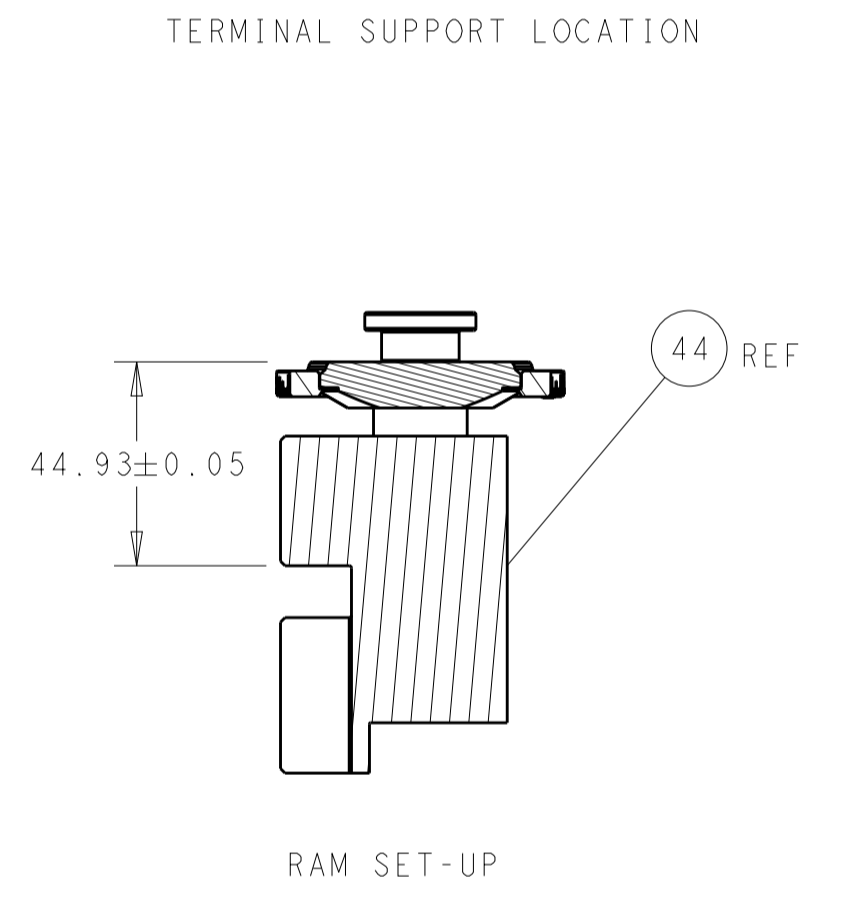
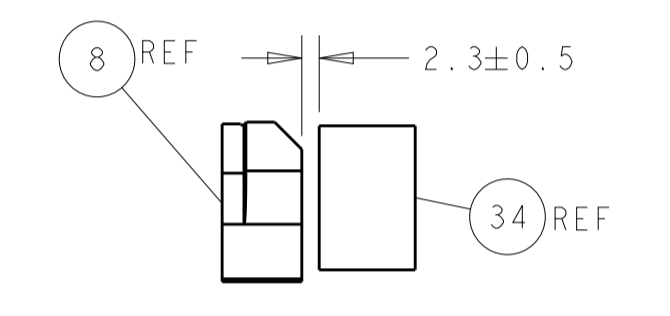
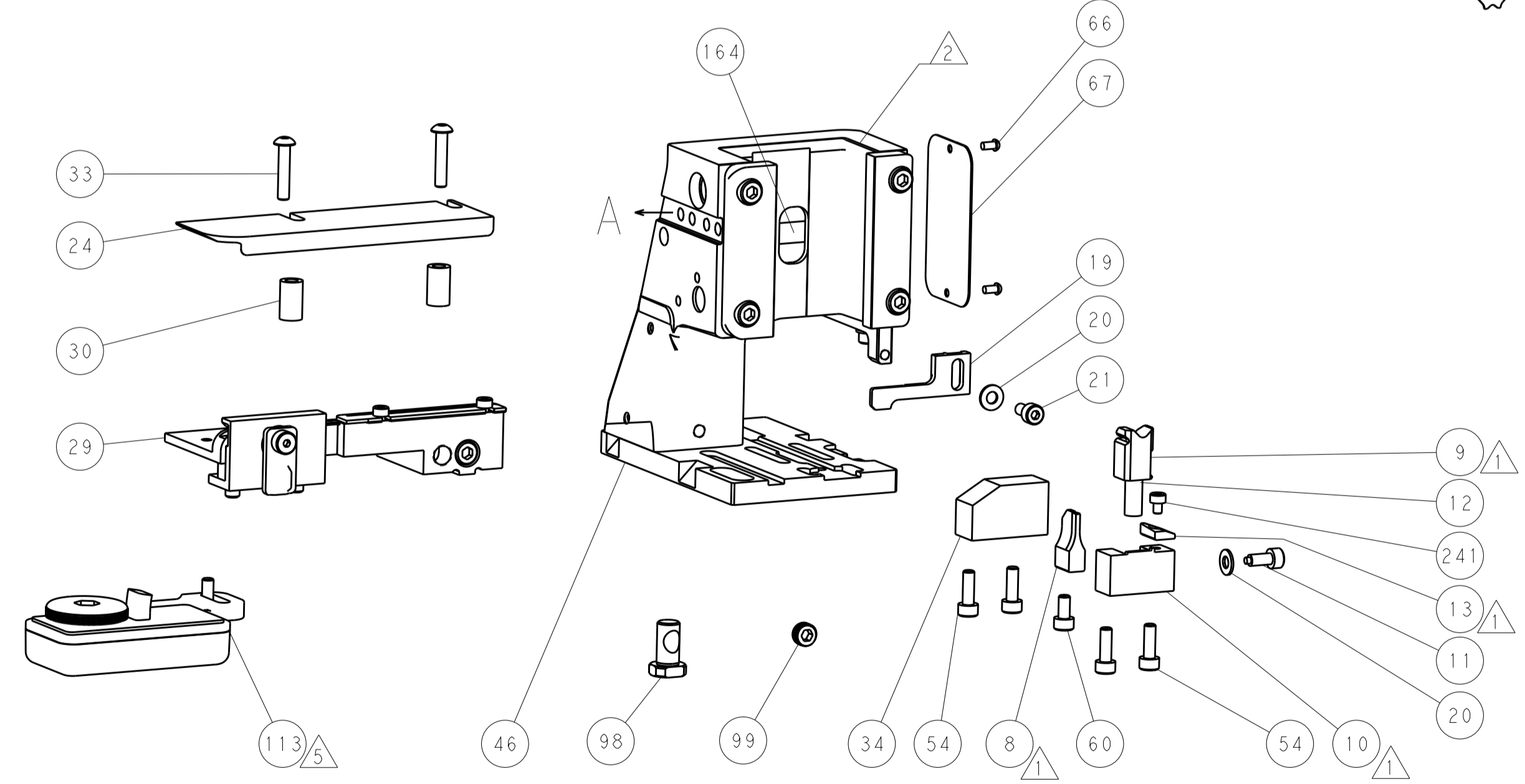
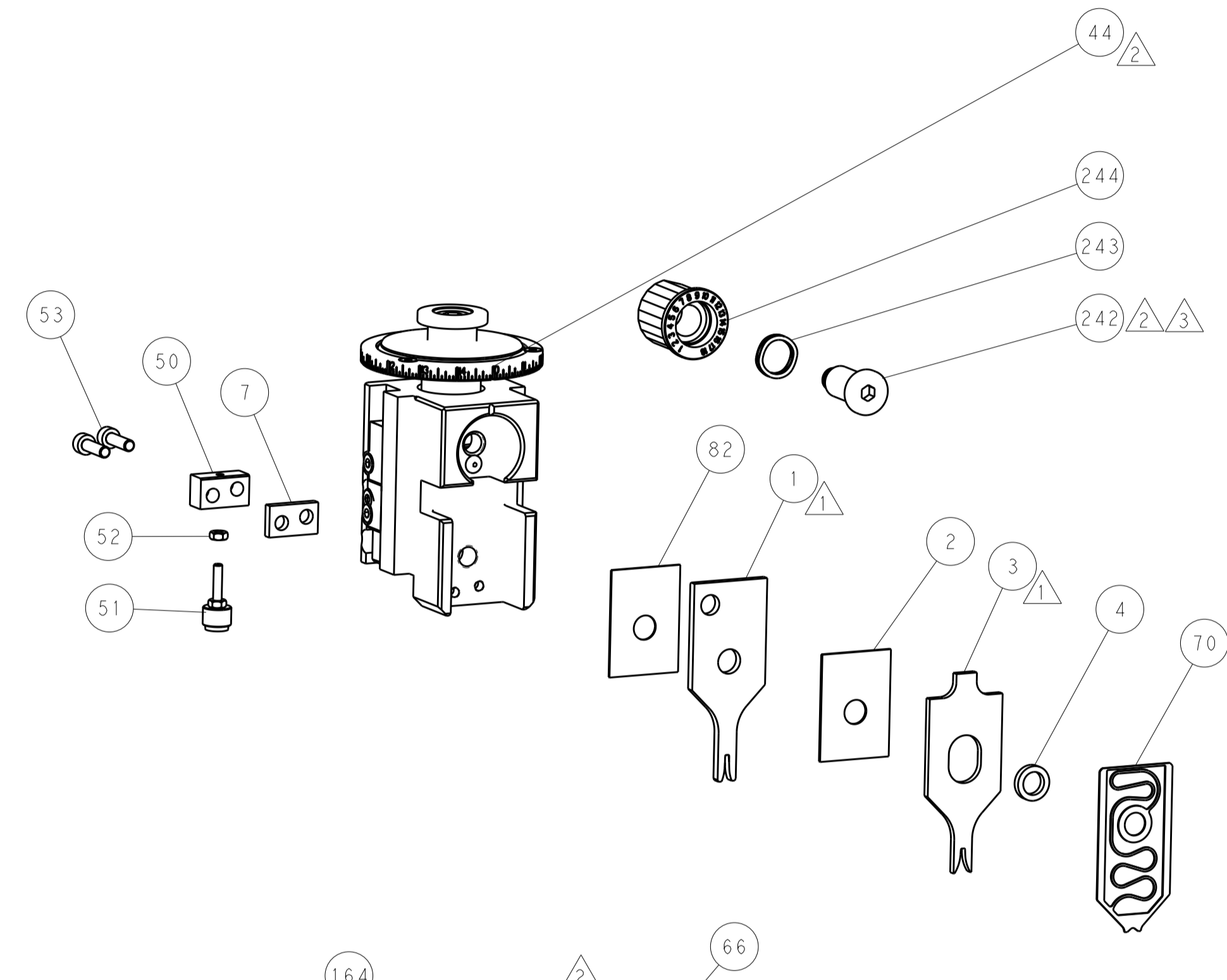
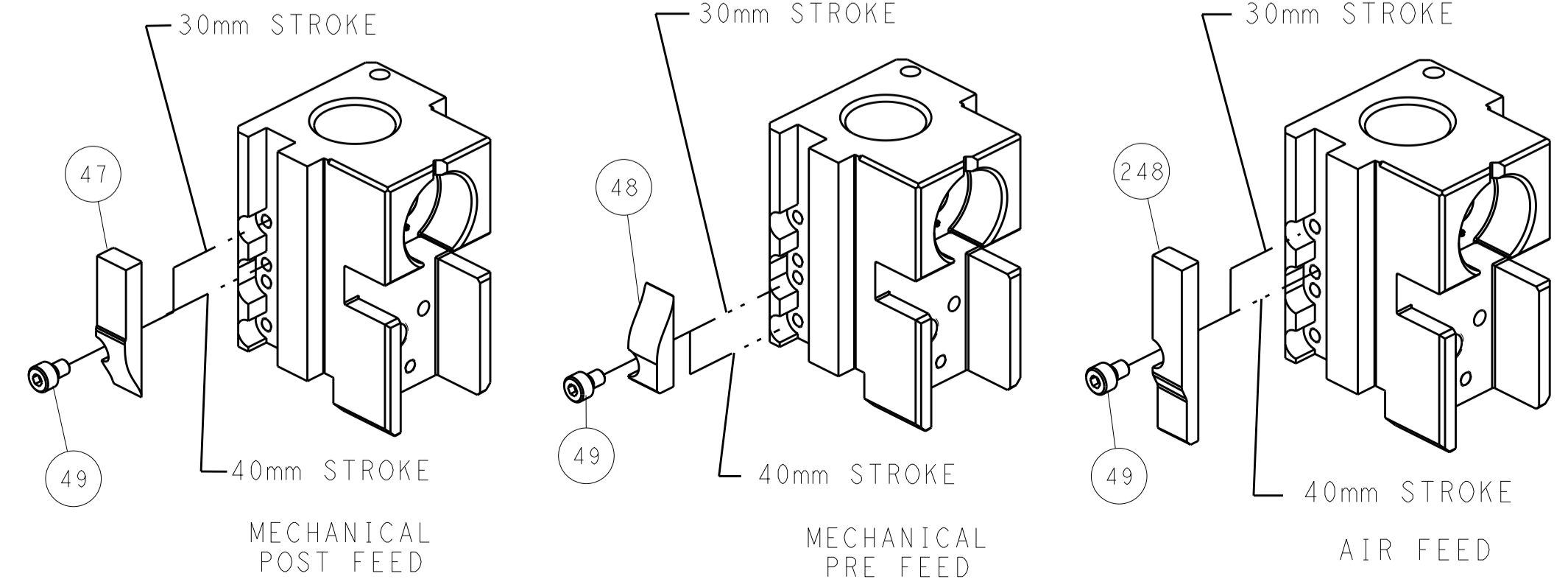
### PNEUMATIC



### DOUBLE ACTING PNEUMATIC WITH SENSORS



### CAM POSITIONS



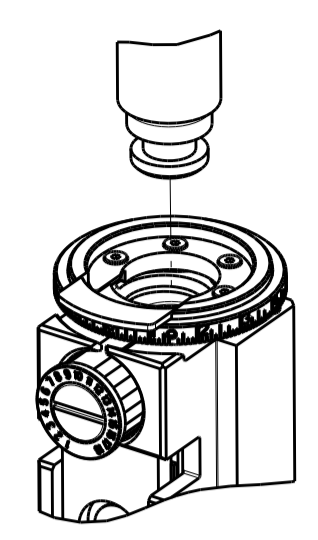
FEED TRACK POSITION GUIDE BY INSULATION BARREL

**ATLANTIC VERSION**  
 Shown on sheets 1 of 4 & 2 of 4  
 (Pacific version shown on sheets 3 of 4 & 4 of 4)

|                       |  |   |  |   |  |   |  |  |  |
|-----------------------|--|---|--|---|--|---|--|--|--|
| DIMENSIONS:<br>mm<br> |  | TOLERANCES UNLESS OTHERWISE SPECIFIED:<br>0 PLC ±<br>1 PLC ±<br>2 PLC ±<br>3 PLC ±<br>4 PLC ±<br>ANGLES ± |  | DWN F. ZHANG 22AUG2017<br>CHK K. ZHANG 22AUG2017<br>APVD K. ZHANG 22AUG2017<br>PRODUCT SPEC<br>APPLICATION SPEC<br>WEIGHT<br>Customer Accessible Production Drawing |  | NAME Ocean Side Feed Applicator<br>SIZE CAGE CODE DRAWING NO. A1 00779 C=2836871<br>SCALE 1:2 SHEET 2 OF 4 REV B1 |  | TE Connectivity<br>Harrisburg, PA 17105-3608 |  |
|-----------------------|--|---|--|---|--|---|--|--|--|

| PART NUMBER | REVISION | DESCRIPTION              | FEED TYPE                            |
|-------------|----------|--------------------------|--------------------------------------|
| 2-2836871-1 | B        | FINE CRIMP HEIGHT ADJUST | MECHANICAL                           |
| 2-2836871-2 | B        | FINE CRIMP HEIGHT ADJUST | PNEUMATIC                            |
| 4-2836871-2 | B        | FINE CRIMP HEIGHT ADJUST | DOUBLE ACTING PNEUMATIC WITH SENSORS |
| 7-2836871-7 | A        | CRIMP TOOLING KIT        | -                                    |

PACIFIC VERSION TERMINATOR INTERFACE ADAPTER



| APPLICATOR DATA |                |      |
|-----------------|----------------|------|
| CRIMP           | SIZE           | TYPE |
| WIRE            | 1.40 mm [.055] | F    |
| INSUL           | 1.68 mm [.066] | F    |

APPLICATOR INSTRUCTIONS  
408-35042

TERMINAL DATA: DELPHI PACKARD TERMINAL DELPHI CRIMP SPECIFICATION

TERMINAL NAME: TAXI TERMINAL F OCS 1.2

|  |  |
|--|--|
| WIRE STRIP LENGTH<br>3.90-4.70 mm [1.54-.185 IN] | TERMINAL INSULATION DIAMETER RANGE<br>Ø1.20-1.60 mm [0.47-.063 IN] |
|--|--|

TERMINAL APPLICATION SPECIFICATION DELPHI Rev 5

| TE TERMINAL | DELPHI PACKARD TERMINAL | TE TERMINAL | DELPHI PACKARD TERMINAL |
|-------------|-------------------------|-------------|-------------------------|
| 2318346-1   | 33103493                | 2237157-1   | 35080799                |
| 2336845-1   | 35072409                |             |                         |

| WIRE SIZE           | CRIMP HEIGHT mm [INCH]         | CRIMP HEIGHT REFERENCE SETTING |
|---------------------|--------------------------------|--------------------------------|
| 0.50mm <sup>2</sup> | 0.90 +/- 0.05 [0.035 +/- .002] | 3.7                            |
| 0.35mm <sup>2</sup> | 0.85 +/- 0.05 [0.033 +/- .002] | 4.0                            |

- 1 RECOMMENDED SPARE PARTS
  - 2 REFER TO SUPPLIED INSTRUCTION SHEET FOR CLEANING, LUBRICATION AND STORAGE OF APPLICATOR.
  - 3 APPLY PART NUMBER 2-23419-6 LOCTITE TO THREADS OF ITEM 242.
  - 4 CRIMP HEIGHT REFERENCE SETTING WAS THE SETTING USED WHEN THE APPLICATOR WAS QUALIFIED AT THE FACTORY. ADJUSTMENT MAY BE NECESSARY WHEN RUNNING APPLICATOR IN THE FIELD.
  - 5 TERMINAL LUBRICANT IS RECOMMENDED.
  - 6 THIS APPLICATOR IS EQUIPPED WITH THE DOUBLE ACTING FEED WITH SENSORS AND IS APPLICATION SPECIFIC. IT DOES NOT REQUIRE ITEMS 49 & 248.
7. UNLESS SPECIFIED OTHERWISE TORQUE VALUES SHALL BE USED PER DOCUMENT, 101-35000.

**\*WARNING**  
 ON INSTALLATION, SET WIRE DISC TO CRIMP HEIGHT REFERENCE SETTING FOR LARGEST WIRE SIZE. CRIMP HEIGHT REFERENCE SETTINGS GREATER THAN THE VALUE SHOWN MAY CAUSE DAMAGE TO THE CRIMP TOOLING. REFER TO THE INSTRUCTION SHEET FOR PROPER SETUP AND ADJUSTMENTS.

| LOC | DIST | REVISIONS |     |             |      |     |      |
|-----|------|-----------|-----|-------------|------|-----|------|
|     |      | P         | LTN | DESCRIPTION | DATE | OWN | APVD |
| A   | 66   | -         | -   | SEE SHEET 1 | -    | -   | -    |

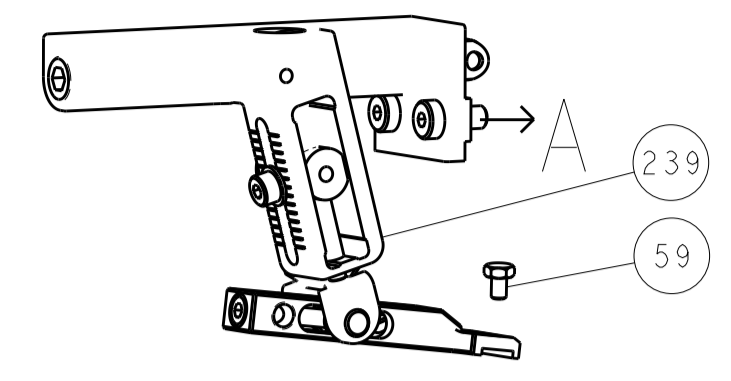
|   |     |     |     |             |                                     |         |
|---|-----|-----|-----|-------------|-------------------------------------|---------|
| - | -   | 1   | -   | 2119640-1   | PUSH ROD, AIR FEED                  | 250     |
| - | -   | 1   | -   | 1803259-1   | BUSHING, FLANGED                    | 249     |
| - | 1   | 1   | 1   | 2119082-5   | CAM, SNAIL, INSULATION ADJUSTMENT   | 244     |
| - | 1   | 1   | 1   | 2079764-1   | WASHER, WAVE SPRING, CREST-TO-CREST | 243     |
| - | 1   | 1   | 1   | 2119083-1   | RETAINER, INSULATION DIAL           | 242     |
| - | 1   | 1   | 1   | 7-18023-7   | SCR, SKT HD CAP M3 X 4.0            | 241     |
| - | -   | -   | 1   | 2119580-1   | MECHANICAL FEED ASSEMBLY            | 239     |
| - | -   | 1   | -   | 2063440-1   | AIR FEED MODULE                     | 238     |
| - | 2   | 2   | -   | 21045-3     | RING, RETAIN, EXTERN, 3/16 CRESCENT | 172     |
| - | REF | REF | REF | 994970-2    | COUNTER, MAGNETIC                   | 164     |
| - | 1   | 1   | -   | 240638-1    | SPRING, FEED FINGER                 | 163     |
| - | -   | 1   | -   | 2119641-2   | FEED CAM, AIR FEED                  | 151     |
| - | 1   | 1   | 1   | 2168083-8   | SCR, SKT HD CAP, RoHS, M4 X 16      | 144     |
| - | 4   | 4   | 4   | 2168083-9   | SCR, SKT HD CAP, RoHS, M4 X 20      | 143     |
| - | -   | -   | 1   | 2119653-2   | FEED CAM, POST FEED                 | 142     |
| - | 1   | 1   | 1   | 1-1803583-0 | APPLICATOR BASIC ASSEMBLY, SF       | 141     |
| - | 1   | 1   | 1   | 1803516-1   | RAM ASSEMBLY, SF PACIFIC            | 140     |
| - | 1   | 1   | -   | 3-23627-7   | PIN, RETAIN, GRVD, 3/16 X .854      | 137     |
| - | 1   | 1   | -   | 2119799-1   | HOLDER, FEED FINGER, AF             | 136     |
| - | 1   | 1   | 1   | 2119955-1   | ASSY, LUBRICATOR, SIDE FEED         | 113     |
| - | 1   | 1   | 1   | 2844908-1   | SCREW, LOCKING                      | 99      |
| - | 1   | 1   | 1   | 2844907-1   | POST, LOCKING                       | 98      |
| - | 1   | 1   | 1   | 455888-5    | SPACER, CRIMPER                     | 82      |
| - | 1   | 1   | 1   | 1803607-1   | DOCUMENTATION PACKAGE               | 71      |
| - | 1   | 1   | 1   | 2119791-9   | DEPRESSOR, WIRE                     | 70      |
| - | 1   | 1   | 1   | 2119740-1   | TAG, IDENTIFICATION                 | 67      |
| - | 2   | 2   | 2   | 2168078-1   | SCREW, DRIVE, RH, RoHS, 2 x .188    | 66      |
| - | 1   | 1   | 1   | 5-18022-5   | SCR, HEX HD CAP, M4 X 6.0           | 59      |
| - | 1   | 1   | 1   | 1338685-1   | PAWL, FEED                          | 56      |
| - | 2   | 2   | 2   | 2-2168083-5 | SCR, SKT HD CAP, RoHS, M4 X 14      | 53      |
| - | 1   | 1   | 1   | 5018030-1   | NUT, HEX, REG, RoHS, M3             | 52      |
| - | 1   | 1   | 1   | 811242-5    | BUMPER, HOLD DOWN                   | 51      |
| - | 1   | 1   | 1   | 690753-2    | SPACER, TONKER                      | 50      |
| - | -   | 1   | 2   | 18023-9     | SCR, SKT HD CAP M4 X 6.0            | 49      |
| - | -   | -   | 1   | 2119652-1   | FEED CAM, PRE FEED                  | 48      |
| - | 1   | 1   | 1   | 1803602-1   | SCR, BHSC, RoHS (M8 X 25)           | 41      |
| - | 1   | 1   | 1   | 1752356-6   | SUPPORT, TERMINAL                   | 34      |
| - | 2   | 2   | 2   | 2079383-5   | SCR, BHSC, RoHS (M4 X 20)           | 33      |
| - | 2   | 2   | 2   | 2-2844962-4 | SPACER, CYLINDRICAL, STRIP GUIDE    | 30      |
| - | 1   | 1   | 1   | 2844992-2   | ASSEMBLY, STRIP GUIDE               | 29      |
| - | 1   | 1   | 1   | 1320928-2   | STRIP GUIDE                         | 24      |
| - | 1   | 1   | 1   | 2168083-2   | SCR, SKT HD CAP, RoHS, M4 X 8.0     | 21      |
| - | 2   | 2   | 2   | 1-18028-2   | WASHER, FLAT, REG M4                | 20      |
| - | 1   | 1   | 1   | 2119533-1   | STRIPPER, SIDE FEED                 | 19      |
| - | 1   | 1   | 1   | 2119806-1   | INSERT, SHEAR                       | 13      |
| - | 1   | 1   | 1   | 3-22280-3   | SPRING, COMPRESSION                 | 12      |
| - | 1   | 1   | 1   | 1-356885-4  | STOP, SHEAR                         | 11      |
| - | 1   | 1   | 1   | 2119805-1   | SHEAR HOLDER, FRONT                 | 10      |
| - | 1   | 1   | 1   | 1803095-6   | FLOATING SHEAR, FRONT               | 9       |
| - | 1   | 1   | 1   | 6-1633917-5 | ANVIL, COMBINATION                  | 8       |
| - | 1   | 1   | 1   | 240641-5    | SPACER                              | 7       |
| - | -   | -   | -   | -           | -                                   | 6       |
| - | 1   | 1   | 1   | 2119757-4   | DEPRESSOR, SHEAR                    | 5       |
| - | 1   | 1   | 1   | 238011-4    | BLOCK, CRIMPER SPACER               | 4       |
| - | 1   | 1   | 1   | 8-1633961-4 | CRIMPER, INSULATION F PREMIUM       | 3       |
| - | 1   | 1   | 1   | 455888-7    | SPACER, CRIMPER                     | 2       |
| - | 1   | 1   | 1   | 456402-6    | CRIMPER, WIRE PREMIUM               | 1       |
| - | 77  | -42 | -22 | -21         | PART NO                             | ITEM NO |

PACIFIC VERSION  
 Shown on sheets 3 of 4 & 4 of 4  
 (Atlantic version shown on sheets 1 of 4 & 2 of 4)

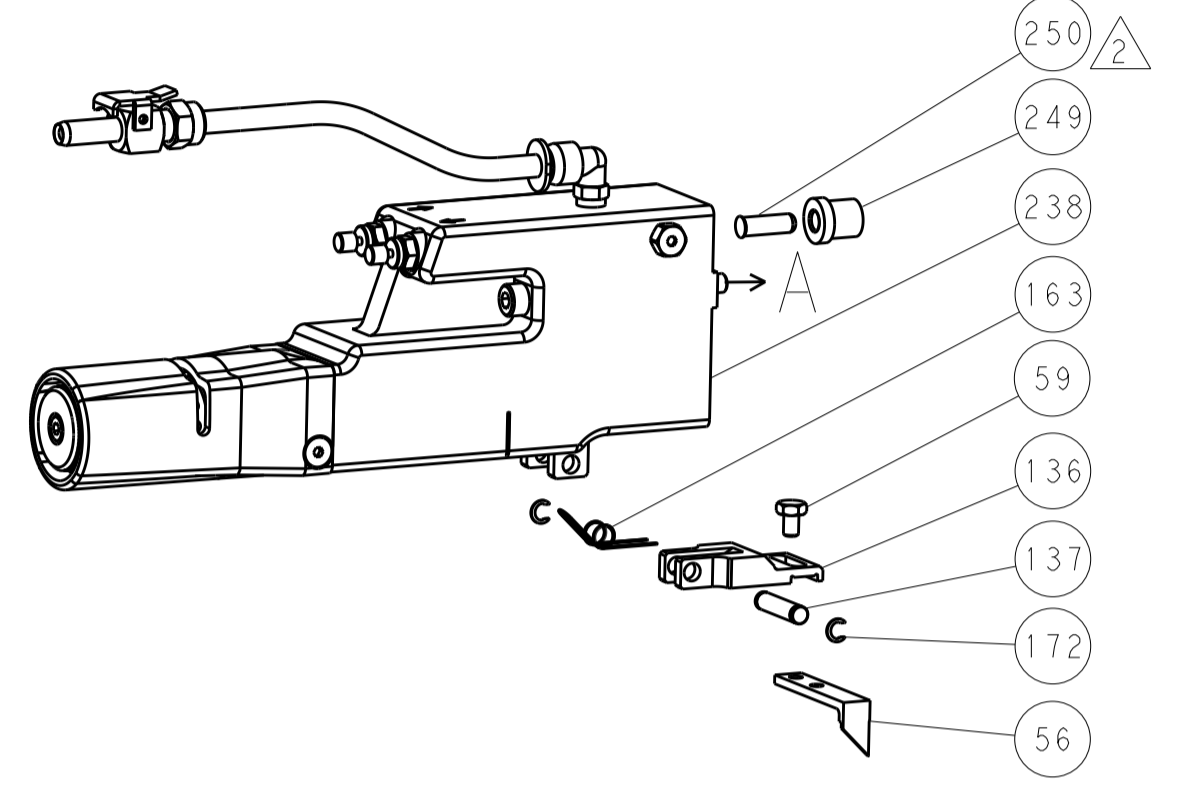
|                |  |  |  |                         |  |                         |  |                          |  |                                  |  |
|----------------|--|--|--|-------------------------|--|-------------------------|--|--------------------------|--|----------------------------------|--|
| DIMENSIONS: mm |  | TOLERANCES UNLESS OTHERWISE SPECIFIED: |  | DWG: F. ZHANG 22AUG2017 |  | CHK: K. ZHANG 22AUG2017 |  | APVD: K. ZHANG 22AUG2017 |  | NAME: Ocean Side Feed Applicator |  |
| 0 PLC ±        |  | 1 PLC ±                                |  | 2 PLC ±                 |  | 3 PLC ±                 |  | 4 PLC ±                  |  | SIZE: A1                         |  |
| ANGLES         |  | FINISH                                 |  | WEIGHT                  |  | SCALE: 1:2              |  | SHEET: 3 OF 4            |  | REV: B1                          |  |
| MATERIAL       |  | FINISH                                 |  | WEIGHT                  |  | SCALE: 1:2              |  | SHEET: 3 OF 4            |  | REV: B1                          |  |

| LOC |    | DIST |     | REVISIONS   |      |     |      |
|-----|----|------|-----|-------------|------|-----|------|
| A   | 66 | P    | LTM | DESCRIPTION | DATE | DMN | APVD |
|     |    | -    |     | SEE SHEET 1 |      |     |      |

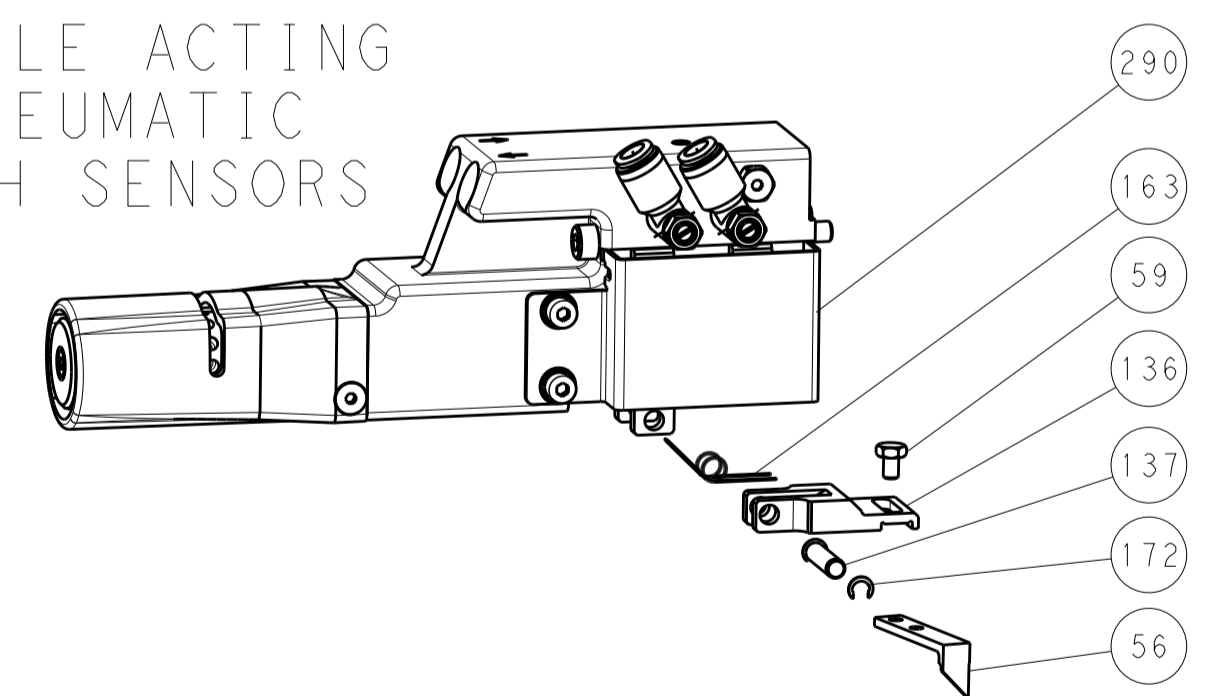
# FEED TYPE MECHANICAL



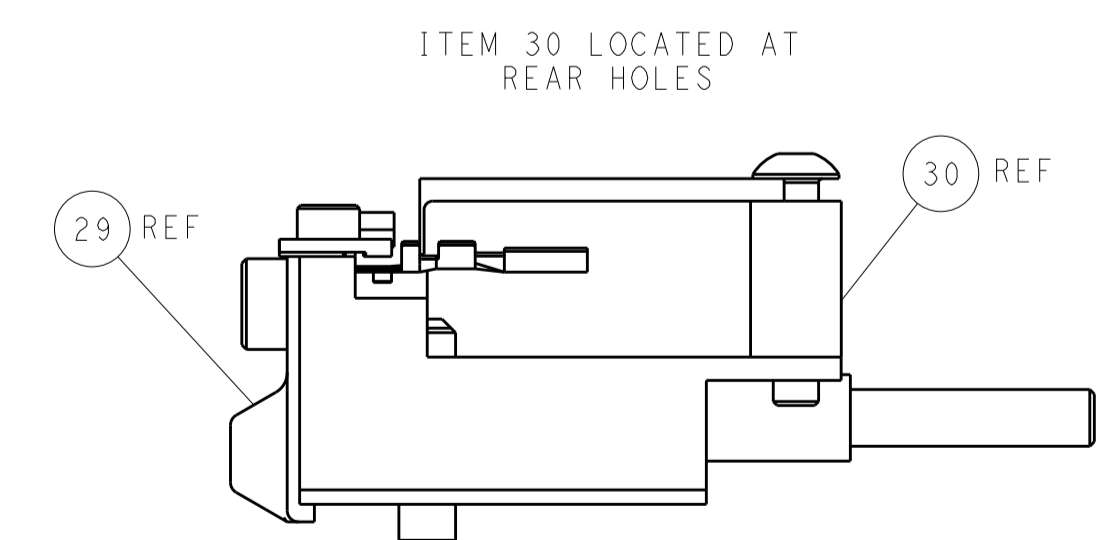
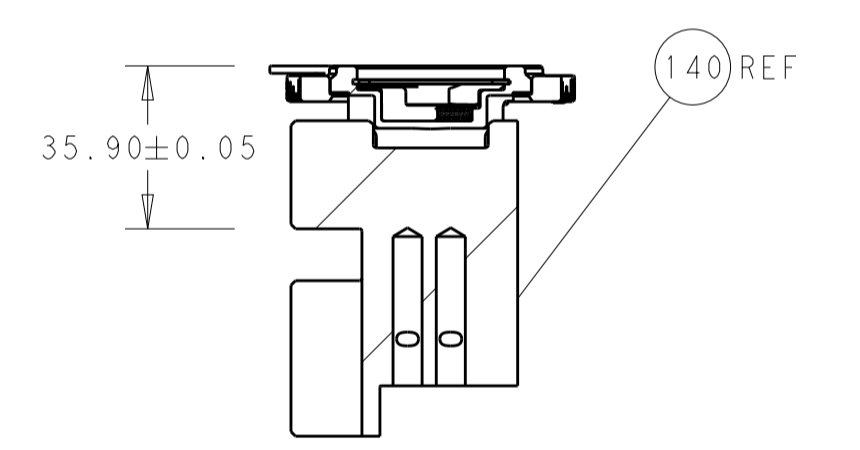
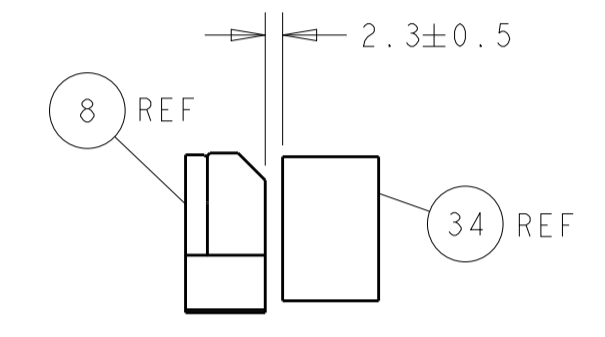
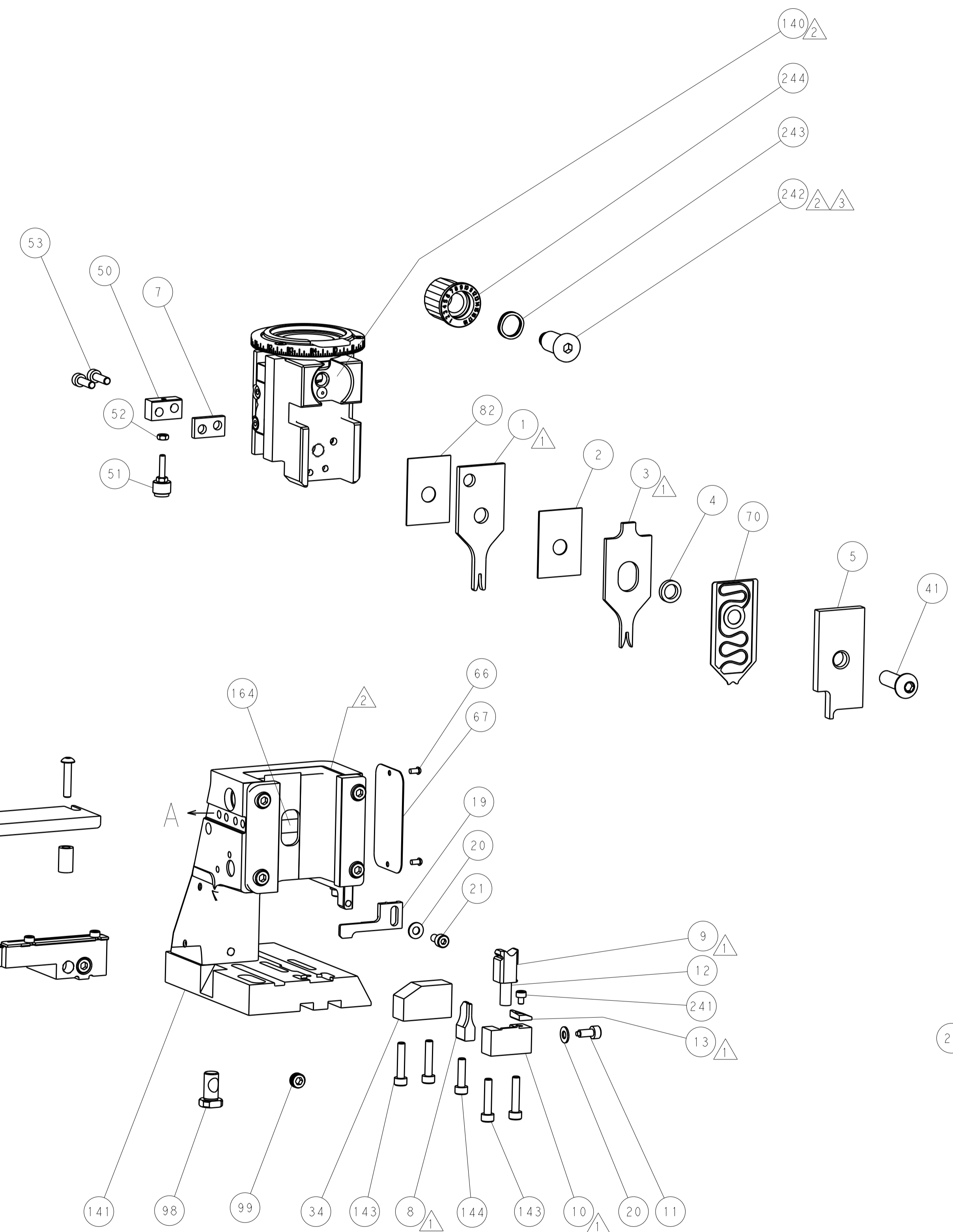
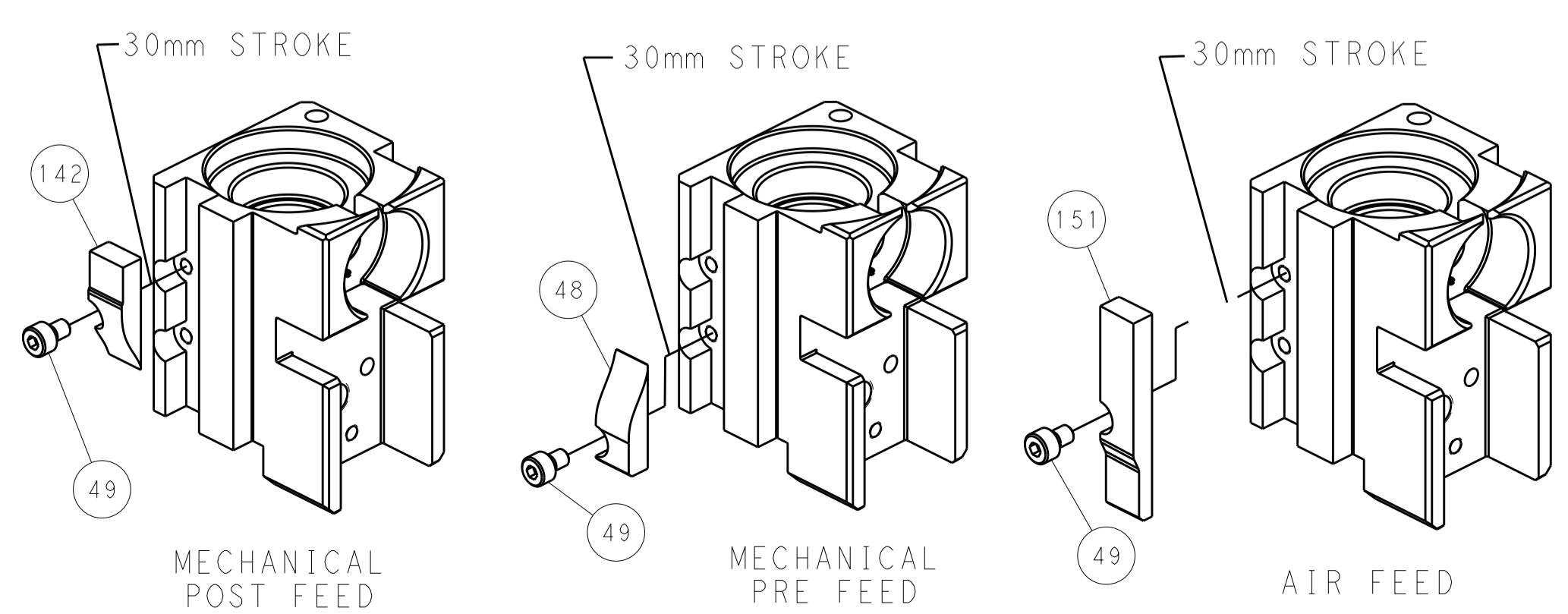
# PNEUMATIC



# DOUBLE ACTING PNEUMATIC WITH SENSORS



# CAM POSITIONS



**PACIFIC VERSION**  
 Shown on sheets 3 of 4 & 4 of 4  
 (Atlantic version shown on sheets 1 of 4 & 2 of 4)

|  |  |  |   |
|--|--|--|---|
| <small>THIS DRAWING IS UNPUBLISHED. RELEASED FOR PUBLICATION. IT IS THE PROPERTY OF TYCO ELECTRONICS CORPORATION. IT IS TO BE USED ONLY FOR THE PURPOSES AND IN THE ORGANIZATION INDICATED. IT IS TO BE RETURNED TO TYCO ELECTRONICS CORPORATION IF IT IS FOUND IN ANY OTHER ORGANIZATION.</small> |  | DMN: F. ZHANG 22AUG2017<br>CHK: K. ZHANG 22AUG2017<br>APVD: K. ZHANG 22AUG2017 | TE Connectivity<br>Harrisburg, PA 17105-3608  |
| DIMENSIONS: mm<br>TOLERANCES UNLESS OTHERWISE SPECIFIED:<br>0 PLC ±<br>1 PLC ±<br>2 PLC ±<br>3 PLC ±<br>4 PLC ±<br>ANGLES ±  |  | PRODUCT SPEC<br>APPLICATION SPEC<br>WEIGHT<br>SCALE: 1:2                       | NAME: Ocean Side Feed Applicator<br>SIZE: A1<br>CAGE CODE: 00779<br>DRAWING NO: 2836871<br>SHEET 4 OF 4<br>REV B1 |

## X-ON Electronics

Largest Supplier of Electrical and Electronic Components

*Click to view similar products for [Bench Top Tools](#) category:*

*Click to view products by [TE Connectivity](#) manufacturer:*

Other Similar products are found below :

[0027](#) [6-1372442-6](#) [63801-4462](#) [63801-4561](#) [63801-7269](#) [679527-1](#) [691667-1](#) [7-21000-9](#) [768539-1](#) [854130-1](#) [854946-2](#) [856203-1](#) [904449-1](#)  
[9-22280-9](#) [986096-2](#) [992438-3](#) [1-21000-3](#) [1-21000-1](#) [1-25022-4](#) [1302263353](#) [1302263355](#) [1302261057](#) [1302261101](#) [1302261206](#)  
[1302261560](#) [1302263123](#) [1302264036](#) [1424264-1](#) [1424267-1](#) [1428211-1](#) [1428287-1](#) [1-455755-6](#) [1752744-1](#) [18023-9](#) [189763-1](#) [1901726-1](#)  
[2079747-1](#) [21001-2](#) [2119083-1](#) [2119085-1](#) [2119371-1](#) [2161930-1](#) [2217088-2](#) [2217339-1](#) [2217347-1](#) [22281-9](#) [22374-7](#) [284565-000](#) [F1](#)  
[Handle Spring](#) [19228-0213](#)