

THIS DRAWING IS UNPUBLISHED.

RELEASED FOR PUBLICATION

---

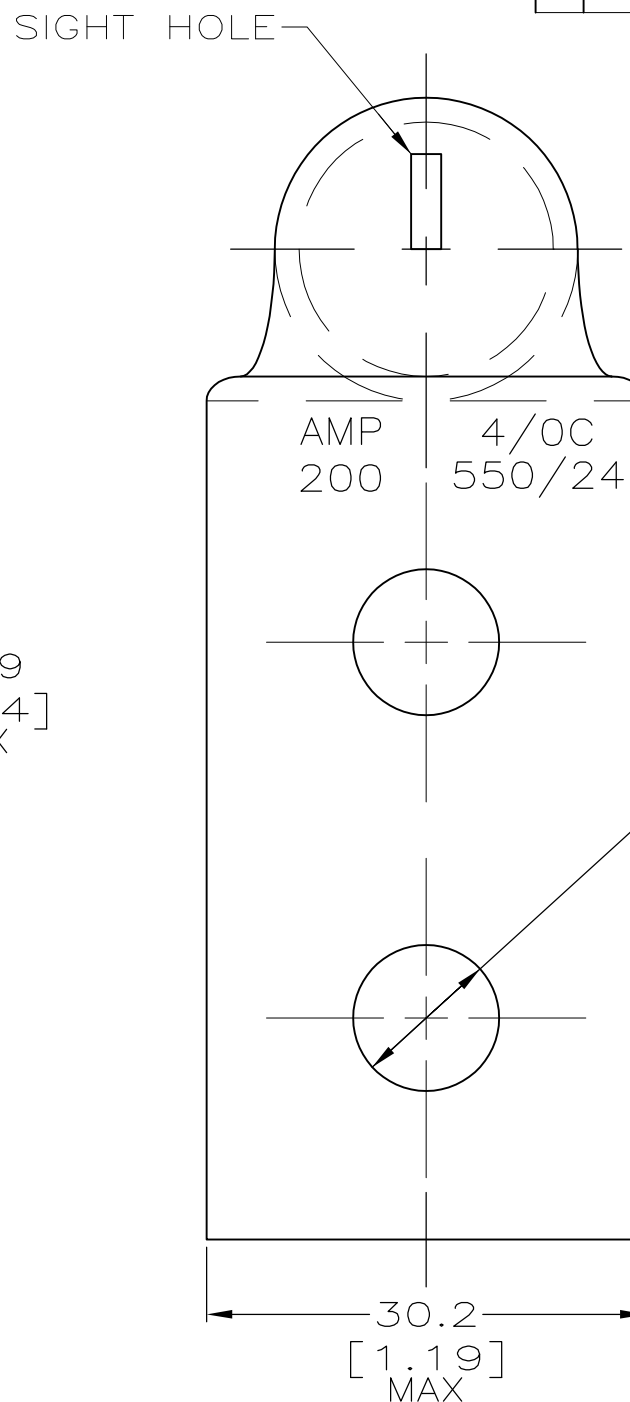
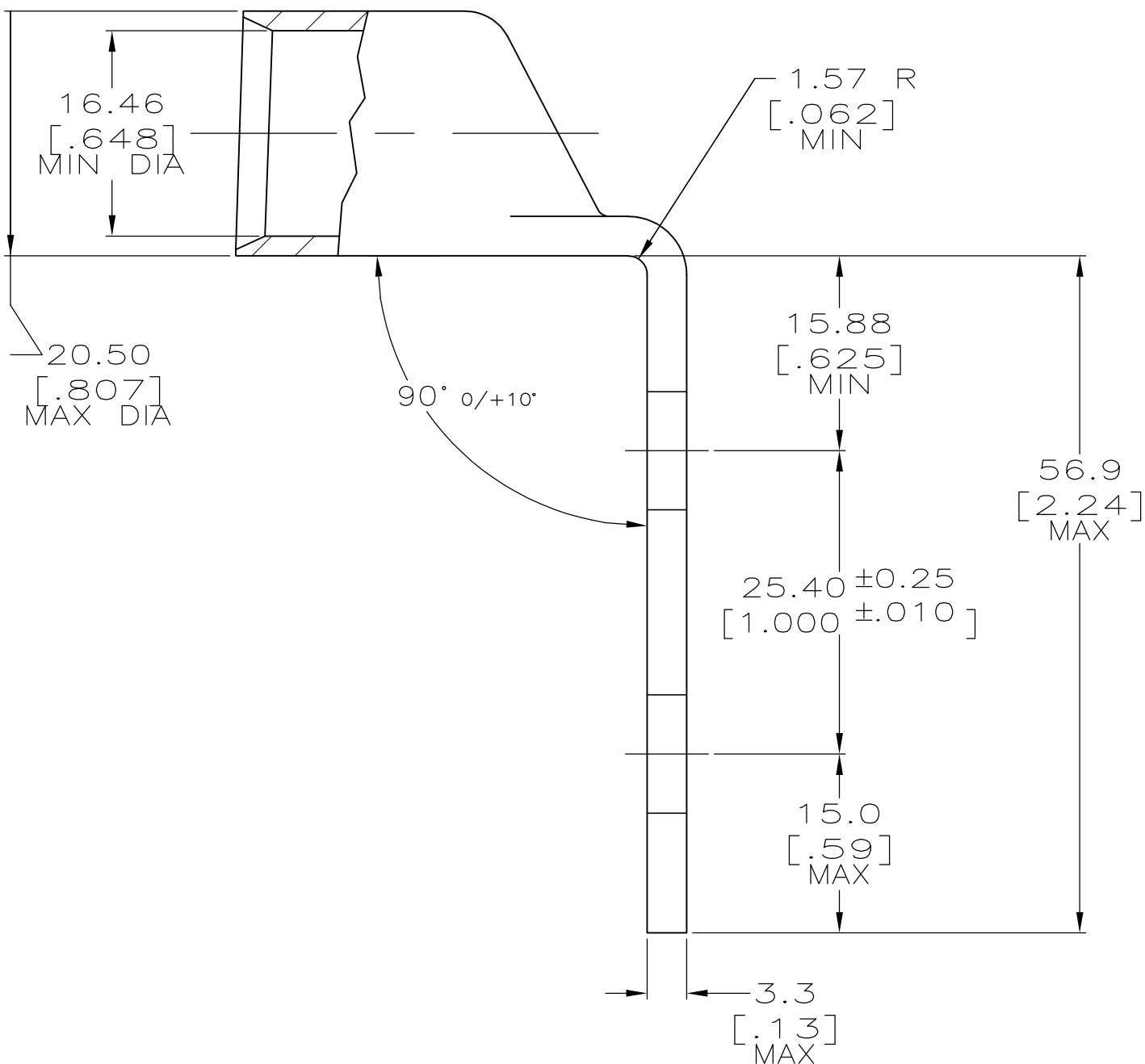
ALL RIGHTS RESERVED.

© COPYRIGHT - By -

LOC G DIST 86

REVISIONS

| P  | LTR | DESCRIPTION   | DATE      | DWN | APVD |
|----|-----|---------------|-----------|-----|------|
| B1 |     | ECR-12-007790 | 26APR2012 | PK  | HK   |



54634-2

TE P/N

|  |                  |                         |  |           |            |
|--|------------------|-------------------------|--|-----------|------------|
| THIS DRAWING IS A CONTROLLED DOCUMENT. |                  | DWN DK SCHRUM 04MAR96   | <b>STE</b> TE Connectivity                     |           |            |
| DIMENSIONS: INCHES                     |                  | CHK WJ VOCKROTH 11MAR96 |  |           |            |
| TOLERANCES UNLESS OTHERWISE SPECIFIED: |                  | APVD JL MECKLEY 11MAR96 | NAME   |           |            |
| 0 PLC ± -                              |                  | PRODUCT SPEC 108-30200  | TERMINAL, BENT 90, AMPOWER, WIRE SIZE: 4/0 AWG |           |            |
| 1 PLC ± -                              |                  | APPLICATION SPEC        | SIZE   | CAGE CODE | DRAWING NO |
| 2 PLC ± -                              |                  | —                       | A3   | 00779     | C-54634    |
| 3 PLC ± -                              |                  | WEIGHT .142 lbs         | RESTRICTED TO                                  |           |            |
| 4 PLC ± -                              |                  | CUSTOMER DRAWING        | —  |           |            |
| ANGLES ± -                             |                  | SCALE 2:1               | SHEET 1 OF 1                                   |           | REV B1     |
| MATERIAL COPPER                        | FINISH TIN PLATE |                         |  |           |            |

## X-ON Electronics

Largest Supplier of Electrical and Electronic Components

*Click to view similar products for [Heavy Duty Power Connectors](#) category:*

*Click to view products by [TE Connectivity](#) manufacturer:*

Other Similar products are found below :

[647757-1](#) [6643411-1](#) [6646058-2](#) [6646137-1](#) [6646138-1](#) [6646479-1](#) [6646608-1](#) [6646786-1](#) [6646940-1](#) [6651091-1](#) [6651525-1](#) [6651529-1](#)  
[6651788-1](#) [696475-1](#) [702-32-01109](#) [703-25-02205](#) [73000005059](#) [73000005642](#) [73080255059](#) [73080965046](#) [765-15-0080A](#) [765-16-0080B](#)  
[765-18-0080D](#) [829992-1](#) [902-77-02113](#) [PS00/A0620/6300](#) [PS25/A0420/63](#) [129-1J](#) [1409400](#) [AN0024023](#) [E6374G1](#) [e6389g2](#) [157-43GW8](#)  
[MS3117-14AC](#) [1643543-1](#) [1650540-1](#) [1651811-2](#) [1766260-1](#) [1766282-1](#) [1766966-1](#) [1791340000](#) [NLDFT-3-BL-L-S120-M40A](#) [NLDFT-N-](#)  
[W-L-C240-M40B](#) [NLS-2-R-C240-M40B](#) [NLS-N-W-C240-M40B](#) [NPS-3-BL-T6](#) [1986615-1](#) [2-1589900-8](#) [2199314-1](#) [KA8102](#)