

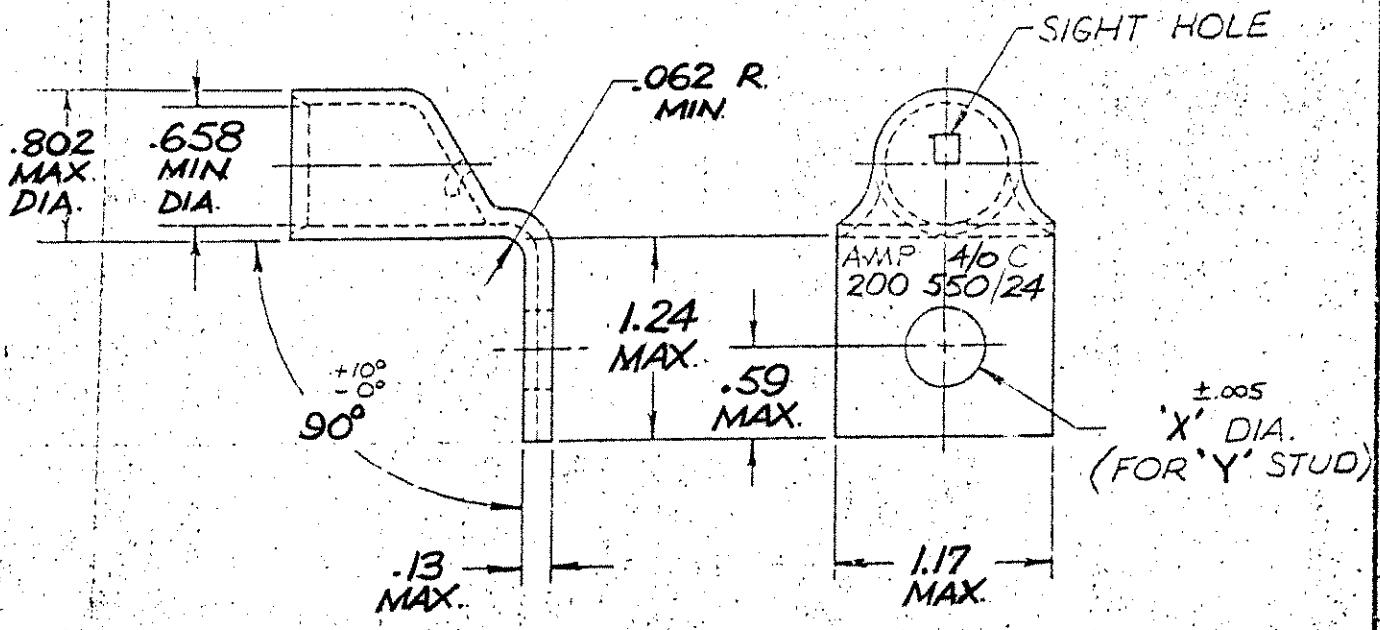
© COPYRIGHT 1975 BY AMP INCORPORATED, HARRISBURG, PA. ALL INTERNATIONAL RIGHTS RESERVED. AMP INCORPORATED PRODUCTS COVERED BY U.S. AND FOREIGN PATENTS AND PATENTS PENDING.

REVISIONS				
LTR	DESCRIPTION	DATE	APPROVED	P/F
D	REMOVED PER NPS 76-1627	2/4	6/22/77	AMW
A	REL -4 S2-20011	2/2	11/22/82	DKS
B	OBS -1 PER G-193	17	3/16/88	pmr
C	REACTIVATE PER G-5920	BT	5/19/92	DKS
D	REACT PER 0720-0142-94	BT	8/5/94	DKS
E	OBS -1 PER 0720-0964-96		6/96	DKS WTV
F	REV PER 063A-0561-01		10/02	DKS/m.s.

UNPUBLISHED AND NOT TO BE REPRODUCED OR TRANSMITTED IN ANY FORM OR BY ANY MEANS WITHOUT WRITTEN PERMISSION OF AMP INCORPORATED.

S

54664



1/2	.515	54664-4
3/8	.390	54664-1
'Y'	'X'	PART NO

UNLESS OTHERWISE SPECIFIED DIMENSIONS ARE IN INCHES. TOLERANCES ON: DECIMALS ± .01 ANGLES ± 5°	CONTRACT NO	AMP INCORPORATED Harrisburg, Pa.
	DRY <i>Don W. Williams</i> 6/22/77	
MATERIAL COPPER (ASTM B-75)	CHK <i>Don W. Williams</i> 6/23/77	NAME WIRE TERMINAL AMPOWER - BENT 90° WIRE SIZE - 4/0
FINISH TIN PLATE (MIL-T-10727)	APPD <i>Don W. Williams</i> 6/23/77	SIZE A CODE IDENT NO 00779 DRAWING NO 54664
	OTHER APPD	SCALE NTS SHEET

X-ON Electronics

Largest Supplier of Electrical and Electronic Components

Click to view similar products for [Heavy Duty Power Connectors](#) category:

Click to view products by [TE Connectivity](#) manufacturer:

Other Similar products are found below :

[1424439](#) [1424438](#) [09330062652](#) [2-8675P1](#) [580129-2](#) [605601-1](#) [6340G1](#) [6341G1](#) [6360G1](#) [6373G1](#) [6374g2](#) [6396G1](#) [647757-1](#) [66394-4](#)
[6643411-1](#) [6646058-2](#) [6646137-1](#) [6646138-1](#) [6646348-1](#) [6646479-1](#) [6646608-1](#) [6646786-1](#) [6646940-1](#) [6651091-1](#) [6651525-1](#) [6651529-1](#)
[6651778-1](#) [6651788-1](#) [696465-1](#) [696475-1](#) [73000005059](#) [73000005349](#) [73000005642](#) [73080255059](#) [73080965046](#) [765-15-0080A](#)
[765-16-0080B](#) [789.700-44](#) [789.700-54](#) [80-1010](#) [80-9](#) [827381-1](#) [829992-1](#) [902-77-02113](#) [PL00U-301-10D10](#) [PM103MOOLOO](#)
[PM16S1620S32-50](#) [PM212MOOLOO](#) [PM309FOOLOO](#) [PM324FOOLCH](#)