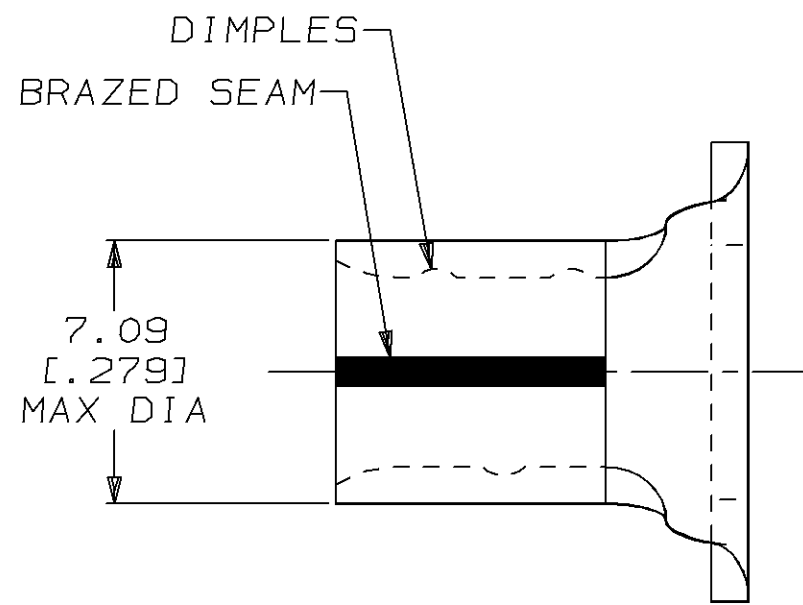
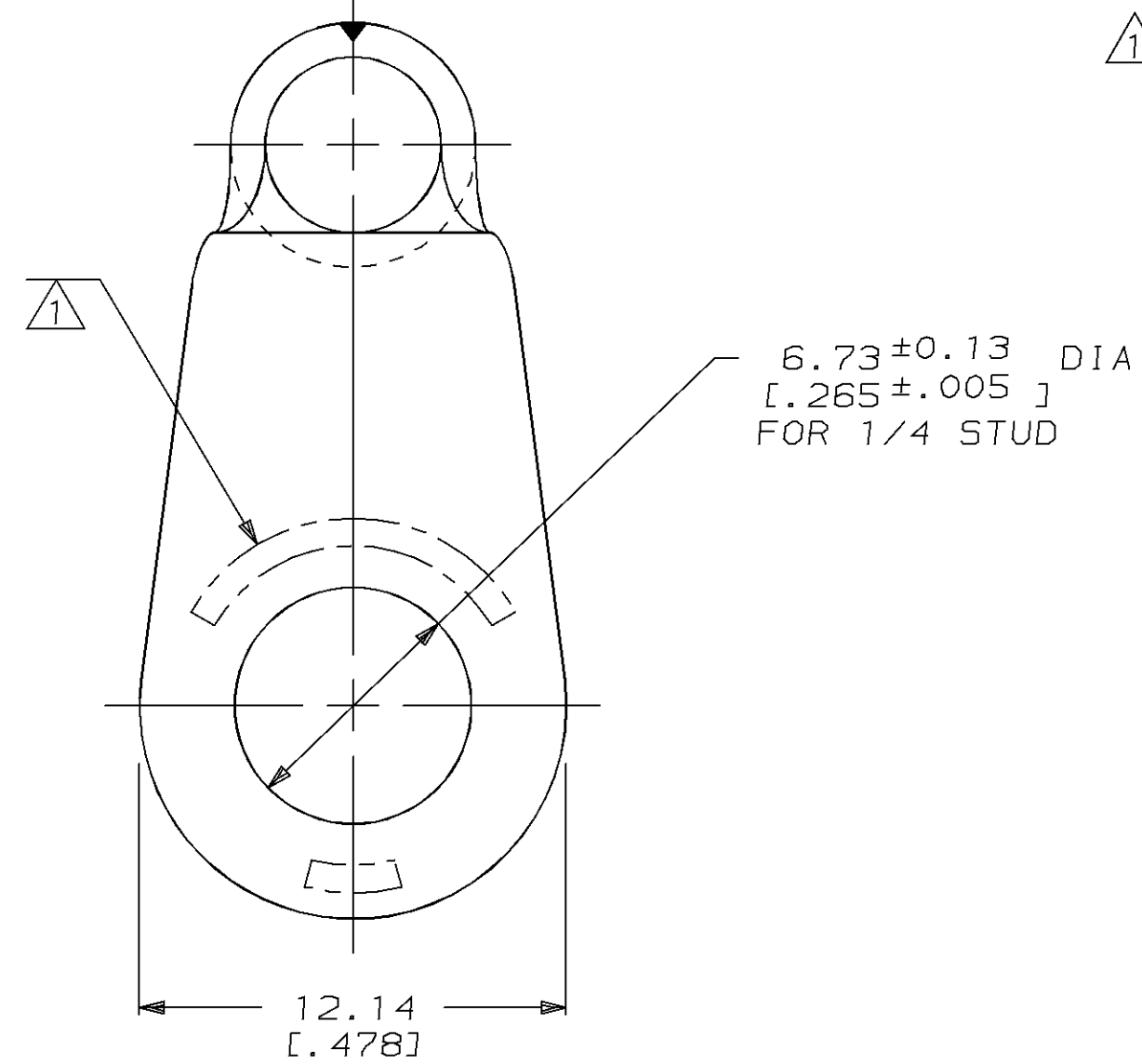
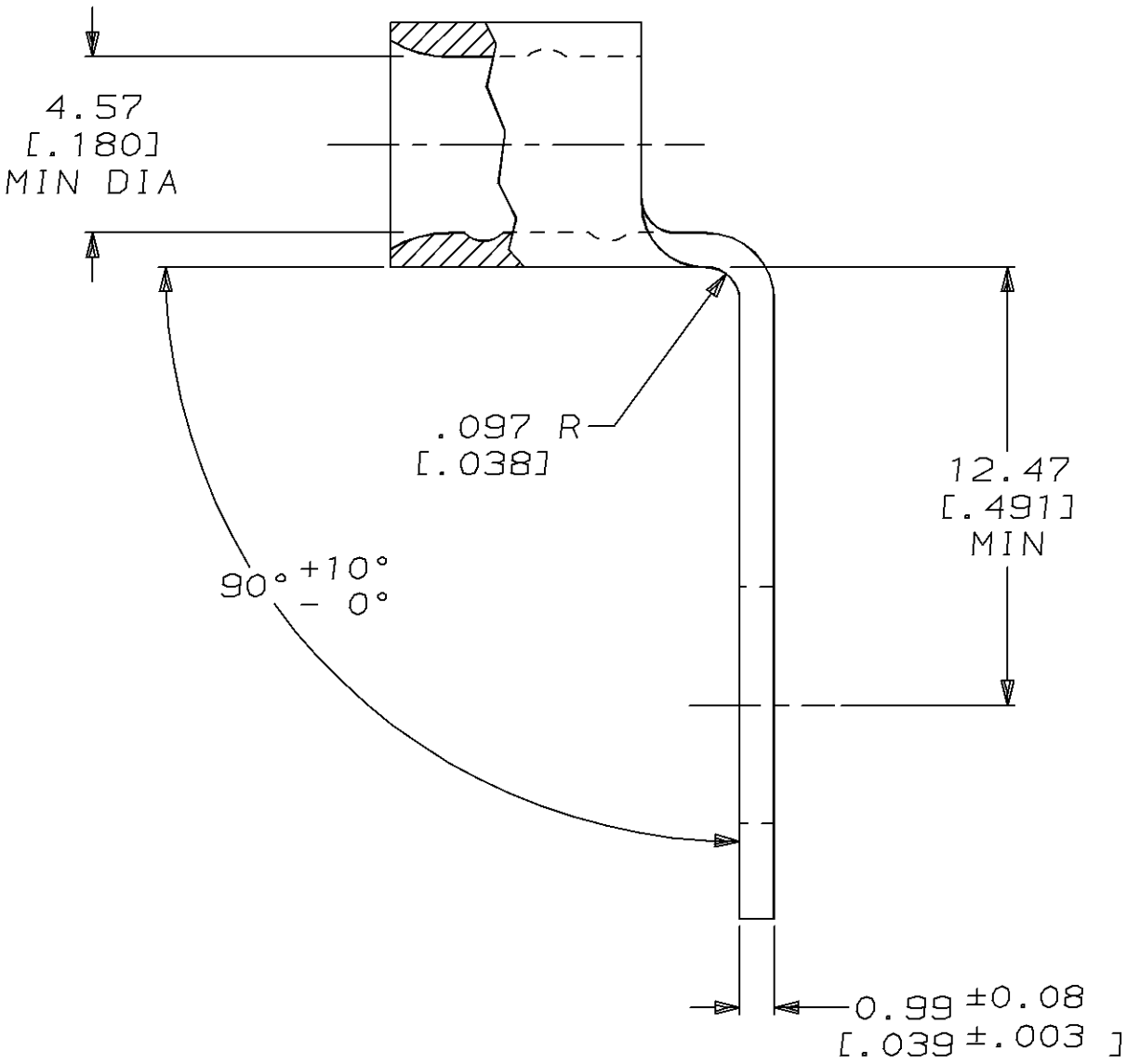


LOC		DIST		P		F		REVISIONS		DATE	APPD
ZONE	LTR	DESCRIPTION									
G	14							0	RELEASED PER 0720-0740-95	06OCT95	NGO

**METRIC**  
 DIMENSIONS LISTED IN mm [ INCHES ]



<b>AMP</b> WIRE RANGE	<b>UL</b> E13288 Listed
8 AWG SOLID OR STRANDED	8 AWG STRANDED
<b>SR</b> LR7189 Certified	MILITARY P/N AND CLASS
8 AWG SOLID OR STRANDED	NOT APPLICABLE



1 STAMP AMP 8\* APPROX AS SHOWN

54726

54726-1  
 PART NO

**AMP INCORPORATED**  
 CUSTOMER SERVICE SYSTEMS

MAX RECOMMENDED OPERATING TEMPERATURE:  
 170°C MAX

DO NOT SCALE PRINT. UNLESS SPECIFIED  
 DIMENSIONS IN mm [INCHES]  
 TOLERANCES ON:  
 2 PLC DEC ± 0.20 [.008]  
 3 PLC DEC ± -  
 ANGLES ± -  
 MATERIAL  
 COPPER PER ASTM B-152 ANNEALED  
 FINISH  
 TIN PLATE  
 0.00254 [.000100] MIN THK PER MIL-T-10727

DR 06OCT95  
 DK SCHRUM  
 CHK 06OCT95  
 MJ SPICER  
 APPD 06OCT95  
 CH KULYNYCH  
 APPD 06OCT95  
 JL MECKLEY  
 PRODUCT SPEC  
 -  
 APPLICATION SPEC  
 -  
 WEIGHT  
 -

**AMP** AMP Incorporated  
 Harrisburg, PA 17105-3608  
 NAME  
 TERMINAL, BENT 90°, RING TONGUE, BRAZED BODY, WIRE SIZE: 8 AWG  
 SIZE CAGE CODE DRAWING NO  
 C 00779 C=54726  
 SCALE 5:1 SHEET 1 OF 1

FOR ADDITIONAL PRODUCT INFORMATION OR COPIES OF DRAWINGS AND TECHNICAL DOCUMENTS  
 PRODUCT INFORMATION CENTER  
 1-800-522-6752  
 FOR APPLICATION TOOLING INFORMATION  
 TOOLING ASSISTANCE CENTER  
 1-800-722-1111  
 FOR ORDER ENTRY  
 1-800-526-5142

VOLTAGE RATING:  
 NOT APPLICABLE  
 WIRE CROSS SECTIONAL AREA RANGE:  
 6.6-10.5mm<sup>2</sup> [13,100-20,800] CIR MILS  
 SOLID OR STRANDED  
 THIS DRAWING IS A CONTROLLED DOCUMENT FOR AMP INCORPORATED. IT IS SUBJECT TO CHANGE AND THE CONTROLLING ENGINEERING ORGANIZATION SHOULD BE CONTACTED FOR THE LATEST REVISION.

## X-ON Electronics

Largest Supplier of Electrical and Electronic Components

*Click to view similar products for [Terminals](#) category:*

*Click to view products by [TE Connectivity](#) manufacturer:*

Other Similar products are found below :

[00-054007-01074-6](#) [00-054007-70206-1](#) [00-054007-70210-8](#) [00-054007-70217-7](#) [00-054007-70226-9](#) [00-054007-70228-3](#) [00-054007-70248-1](#) [00-054007-70256-6](#) [00-054007-70301-3](#) [00-054007-70316-7](#) [0-0320562-0](#) [00-054007-49560-4](#) [00-054007-70209-2](#) [00-054007-70225-2](#) [00-054007-70227-6](#) [00-054007-70231-3](#) [00-054007-70241-2](#) [00-054007-70242-9](#) [00-054007-70244-3](#) [00-054007-70246-7](#) [00-054007-70263-4](#) [00-054007-70288-7](#) [00-054007-70290-0](#) [00-054007-70300-6](#) [00-054007-70304-4](#) [01-2065-1-0216](#) [01-2900-1-04412](#) [00581P0075](#) [600TS-10](#) [60205-1](#) [604200-1](#) [605601-1](#) [60598-1-CUT-TAPE](#) [61314-6-C](#) [61810-3](#) [61-S](#) [61-SN](#) [626-0194](#) [62-NBM-A](#) [62-SN](#) [62-SP](#) [63-S](#) [640179-1](#) [M55155/059I03](#) [M55155/079C01](#) [M55155/099H02](#) [M55155/109H01](#) [M55155/109H02](#) [M55155/12XH05](#) [M55155/16XH02](#)