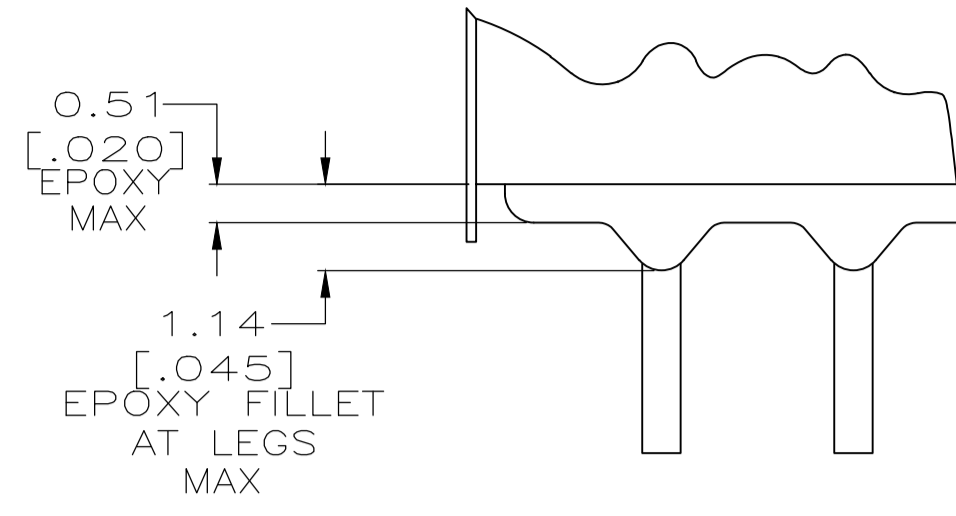
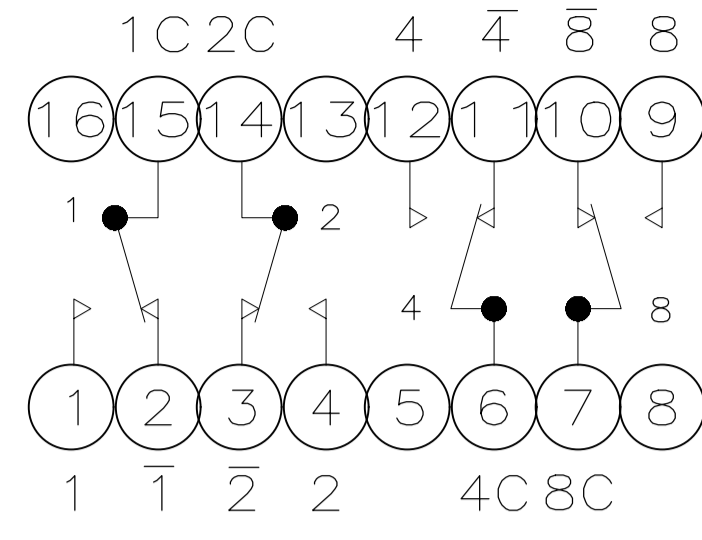


REVISIONS					
P	LTR	DESCRIPTION	DATE	DMN	APVD
L		ECO-20-004897	24AUG2020	SB	JB

- 1. SLOT FOR SCREWDRIVER ACTUATION, AFTER REMOVAL OF TAPE.
- 2. FOR ADDITIONAL SPECIFICATIONS SEE AMP PRODUCT SPEC 108-7066 AND INSTRUCTION SHEET 6811.
- 3. SWITCH BOTTOM IS SEALED.
- 4. CONTACT FINISH TO BE 0.00076 [.000030] GOLD OVER NICKEL.
- 5. MATERIAL:
HOUSING : BLACK POLYESTER
CONTACTS : BERYLLIUM COPPER.
- 6. REMOVABLE TAPE TO SEAL ACTUATOR END.
- 7. MARKS WILL BE ADDED BY LASER MARK PROCESS.



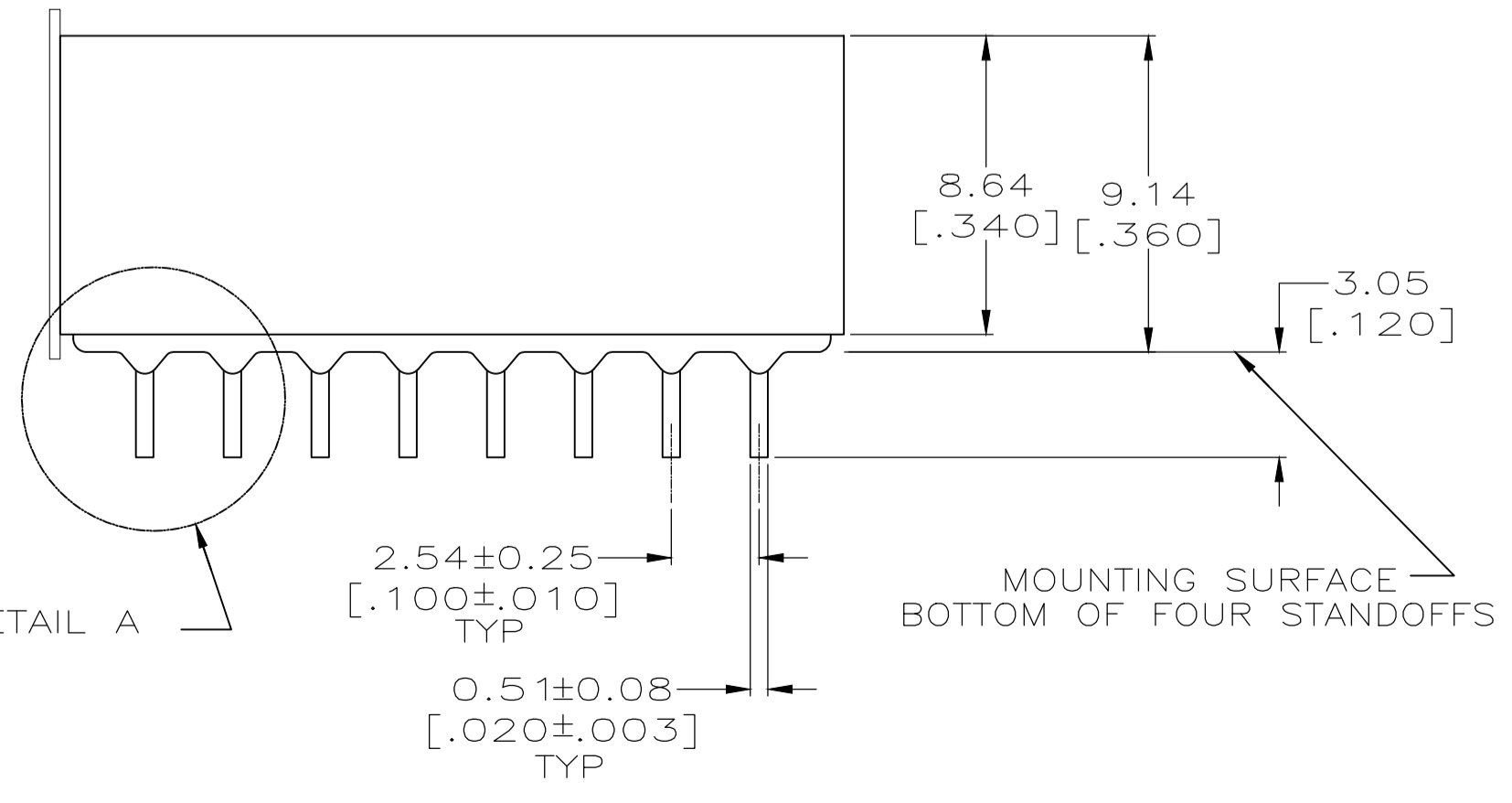
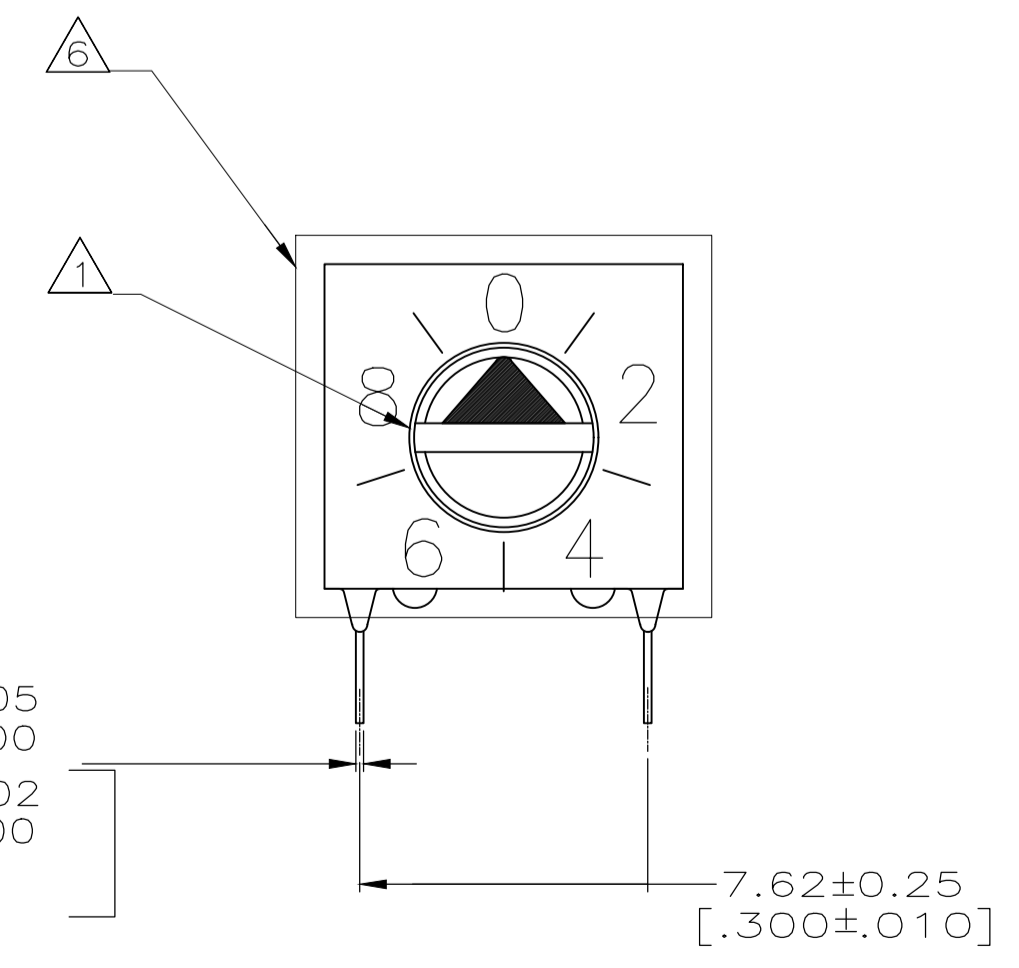
DETAIL A
SCALE 10:1



SCHEMATIC
(POSITION 0)

		POSITION									
		0	1	2	3	4	5	6	7	8	9
COMMON TO	1		●		●		●		●		●
	2			●	●			●	●		
	4					●	●	●	●		
	8									●	●
	1-bar	●		●		●		●		●	
	2-bar	●	●			●	●			●	●
	4-bar	●	●	●	●					●	●
	8-bar	●	●	●	●	●	●	●	●		

BCD WITH COMPLEMENT



54778-1
PART NUMBER

THIS DRAWING IS A CONTROLLED DOCUMENT.		DIN W. SORAH 1-8-97	TE Connectivity		
DIMENSIONS: INCHES		CHK: R. TALLEY 1-8-97			
TOLERANCES UNLESS OTHERWISE SPECIFIED:		APVD: J. ROBB 1-8-97	NAME: SWITCH ASSY, PREPROGRAMMED DIP, 10 POSITION, SCREWDRIVER SLOT		
0 PLC ± - 1 PLC ± - 2 PLC ± 0.30 [.012] 3 PLC ± - 4 PLC ± - ANGLES ± -		PRODUCT SPEC	RESTRICTED TO		
MATERIAL: △ FINISH: △		APPLICATION SPEC	SIZE: A1	CAGE CODE: 00779	DRAWING NO: 54778
WEIGHT: -		CUSTOMER DRAWING	SCALE: 5:1	SHEET: 1 of 1	REV: L

X-ON Electronics

Largest Supplier of Electrical and Electronic Components

Click to view similar products for [Rotary Switches](#) category:

Click to view products by [TE Connectivity](#) manufacturer:

Other Similar products are found below :

[57HS22-02-2-06N](#) [57M22-02B16N](#) [57M22-09A16N](#) [M3786/4-0881](#) [M3786/4-3267](#) [M3786/4-5568](#) [M3786/4-6029](#) [71ESF30-05204N](#)
[MC06L1NCGF](#) [84986-26](#) [9003K2C003GA](#) [PLR3251](#) [PLR3262](#) [PS3](#) [A0142M2SP](#) [A019605](#) [A029303](#) [R2AA4455NNNN](#)
[R2BB4455NNNN](#) [DR75-AMSF-10R-B](#) [14-520.0360](#) [1703.3201](#) [HW1MS-0202-101](#) [24002-03S](#) [A029101](#) [ACSNO-129-YB-C1014](#) [ACSNO-](#)
[134-RR-YB-C1005](#) [ACSNO-353-SB-C3016](#) [1825537-4](#) [T505](#) [T505E](#) [24005-03N](#) [H10207RR01Q](#) [M3786/4-0002](#) [M3786/4-0630](#) [M3786/4-](#)
[1028L](#) [M3786/4-1233L](#) [M3786/4-3044](#) [M3786/4-3129](#) [M3786/4-5008L](#) [M3786/4-5256](#) [MC6CX1A502X009](#) [42HS36-01-1-06N](#) [42P36-](#)
[03B10S](#) [44MBS60-04-2-03N](#) [44MG90-02-1-02N](#) [50KMT90-01-2-02N](#) [51A22-01-1-16S](#) [51CDP30-01PAJN](#) [51KSP30-01D04N](#)