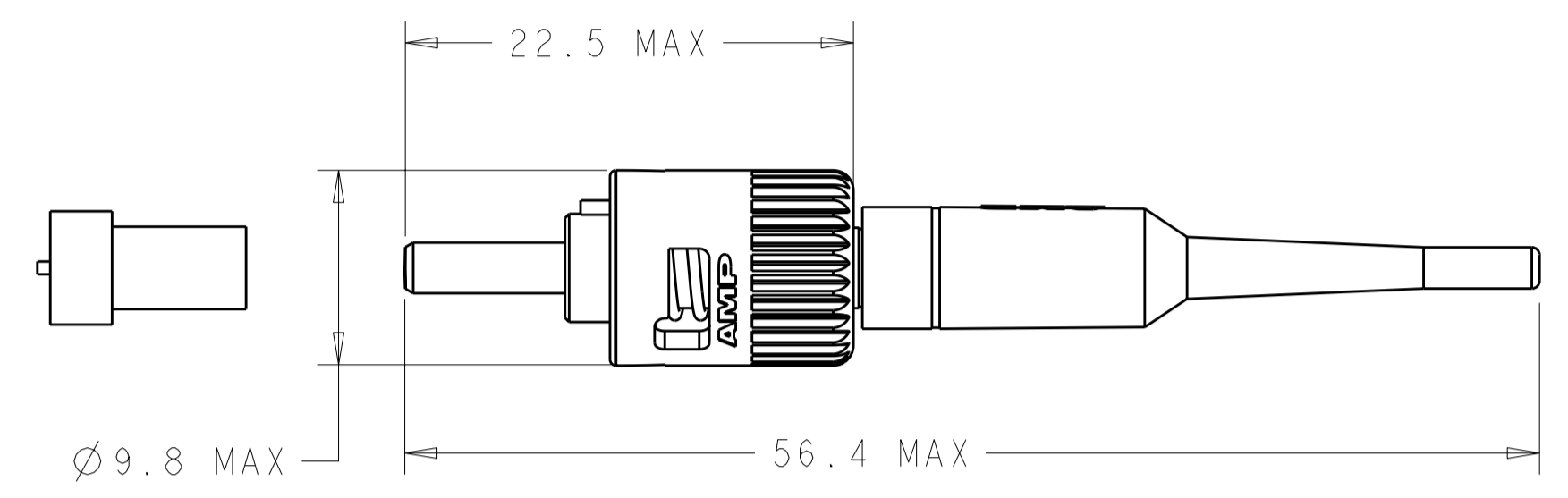
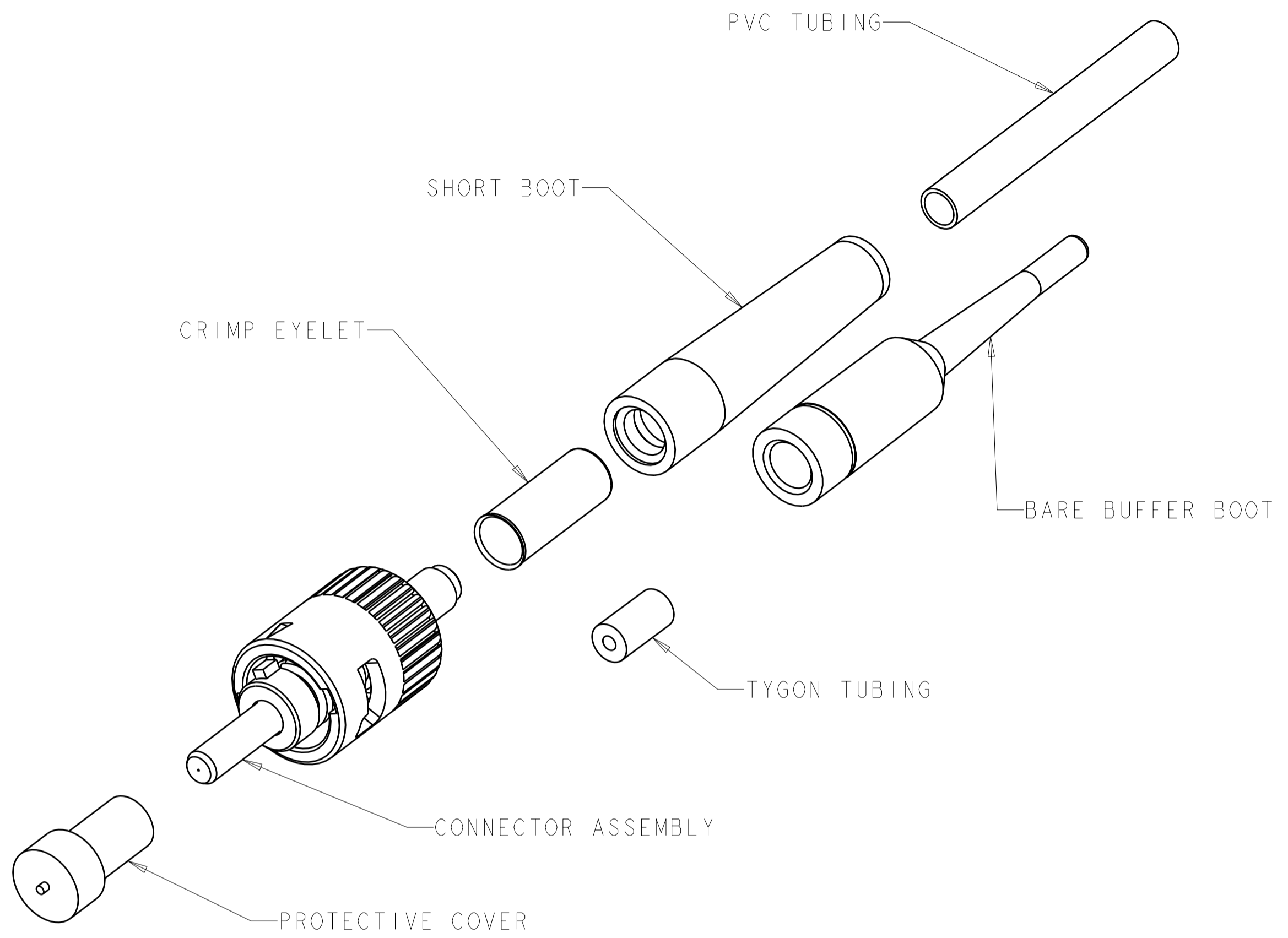
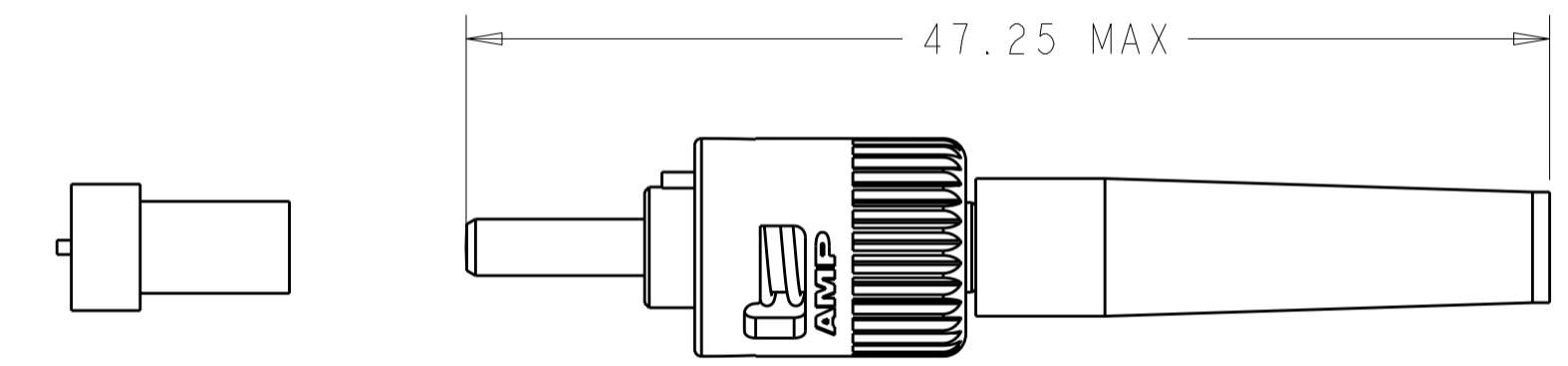


THIS DRAWING IS UNPUBLISHED. RELEASED FOR PUBLICATION 20
 © COPYRIGHT 20 BY TYCO ELECTRONICS CORPORATION. ALL RIGHTS RESERVED.

LOC	DIST	REVISIONS			
P	LTR	DESCRIPTION	DATE	DWN	APVD
	B	REVISE PER ECR-06-003181	09FEB2006	BB	SB
	C	REVISE PER ECR-06-021451	13SEPT2006	BB	SB
	CI	ADD NOTE 5	160MAR09	JZ	RZ



ASSEMBLED CONNECTOR (BOOT BUFFER BOOT)



ASSEMBLED CONNECTOR (SHORT BOOT)

- ① BULK PACKAGED.
- ② MATERIAL:
 PROTECTIVE COVER: LDPE, COLOR: BLACK, NON-FR.
 CONNECTOR ASSEMBLY:
 FERRULE ASSEMBLY: CERAMIC/NICKEL PLATED BRASS
 SPRING: STAINLESS STEEL
 COUPLING NUT: ZINC
 RETENTION RING: STAINLESS STEEL
 CRIMP EYELET: TIN PLATED COPPER
 SHORT BOOT: TPE, SEE DASH NUMBERS FOR COLOR*
 BARE BUFFER BOOT: TPE, SEE DASH NUMBERS FOR COLOR*
 TUBING: PVC, COLOR: BLACK, NON-FR.
 TUBING: TYGON, COLOR: CLEAR.
 *UL94 V-0 RATED AT QUALIFYING THICKNESS.
- ③ NO CRIMP EYELET.
- ④ PVC TUBING INCLUDED.

5. INSTRUCTION SHEET: 408-9971 AVAILABLE FOR DOWNLOAD AT
www.tycoelectronics.com/documents OR www.ampnetconnect.com/foguide.

④①	-	BLACK	125um	5492458-9
④①	-	RED	125	5492458-8
①	-	RED	125	5492458-7
③①	-	-	125	5492458-5
①	-	-	125	5492458-3
①	-	BLACK	125	5492458-2
	BLACK	BLACK	125	5492458-1
	BARE BUFFER BOOT	SHORT BOOT	SIZE	PART NUMBER

THIS DRAWING IS A CONTROLLED DOCUMENT FOR TYCO ELECTRONICS CORPORATION. IT IS SUBJECT TO CHANGE AND THE CONTROLLING ENGINEERING ORGANIZATION SHOULD BE CONTACTED FOR THE LATEST REVISION.		DWN B. BRIGGS 27APR2005	Tyco Electronics Corporation Shanghai, China	
DIMENSIONS: mm		CHK S. BUCHTER 27APR2005	NAME KIT, CONNECTOR, 2.5mm BAYONET MULTIMODE CERAMIC	
TOLERANCES UNLESS OTHERWISE SPECIFIED: 0 PLC ± 1 PLC ±0.1 2 PLC ±0.02 3 PLC ±0.005 4 PLC ±0.0005 ANGLES ±		APVD S. BUCHTER 27APR2005	RESTRICTED TO	
MATERIAL ② -		PRODUCT SPEC -	SIZE A2	CAGE CODE 00779
		APPLICATION SPEC -	DRAWING NO 5492458	SCALE 7:2
		WEIGHT -	SHEET 1	OF 1
		CUSTOMER DRAWING	REV CI	

X-ON Electronics

Largest Supplier of Electrical and Electronic Components

Click to view similar products for [Fibre Optic Connectors](#) category:

Click to view products by [TE Connectivity](#) manufacturer:

Other Similar products are found below :

[0004700001](#) [6100-R](#) [6313](#) [F709034706](#) [F709722200](#) [F709730000](#) [F718183204](#) [F727403500](#) [F727752800](#) [8119](#) [9440F20-27S-190](#) [944-120-6001](#) [9441F10SL-3S](#) [9444W28-21S](#) [9444W36-10S](#) [9446F10SL-4S](#) [9446W20-16S](#) [953-101-5310-P](#) [954-101-57202B](#) [A0270169](#) [12-9122](#) [12-5702](#) [AX101713](#) [AX102420](#) [AX103923](#) [AX104024](#) [AX104193](#) [AX104230](#) [AX104562](#) [AX105203-B25](#) [AX105205-S1](#) [EHSC2M](#) [181-011-126](#) [181-011-S](#) [181-057-126](#) [HRFC-R2\(40\)](#) [NKSOPBUY](#) [20500002116](#) [2064996-1](#) [20800001065](#) [2170](#) [9132](#) [2612](#) [2620](#) [9291](#) [9440F16-10S](#) [9440F20-18S](#) [9446F16-10S-190](#) [953-106-50231](#) [953-120-5003](#)