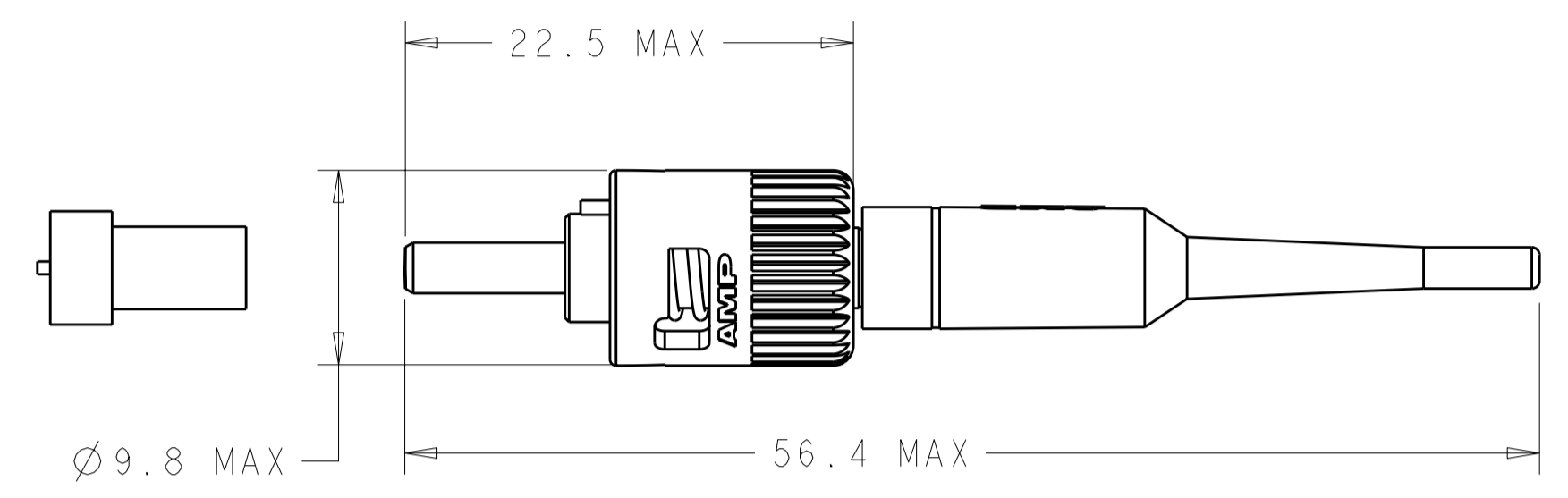
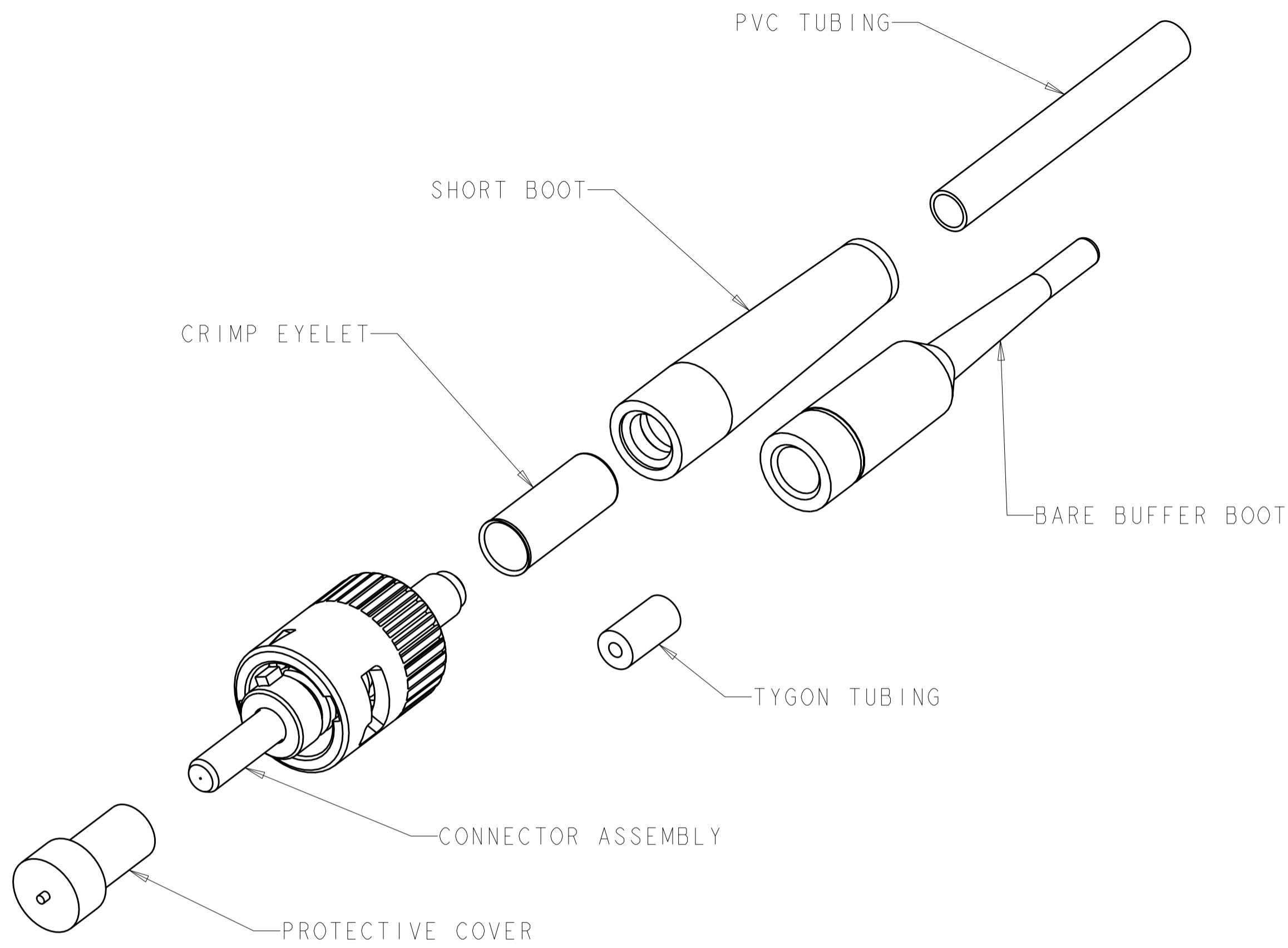
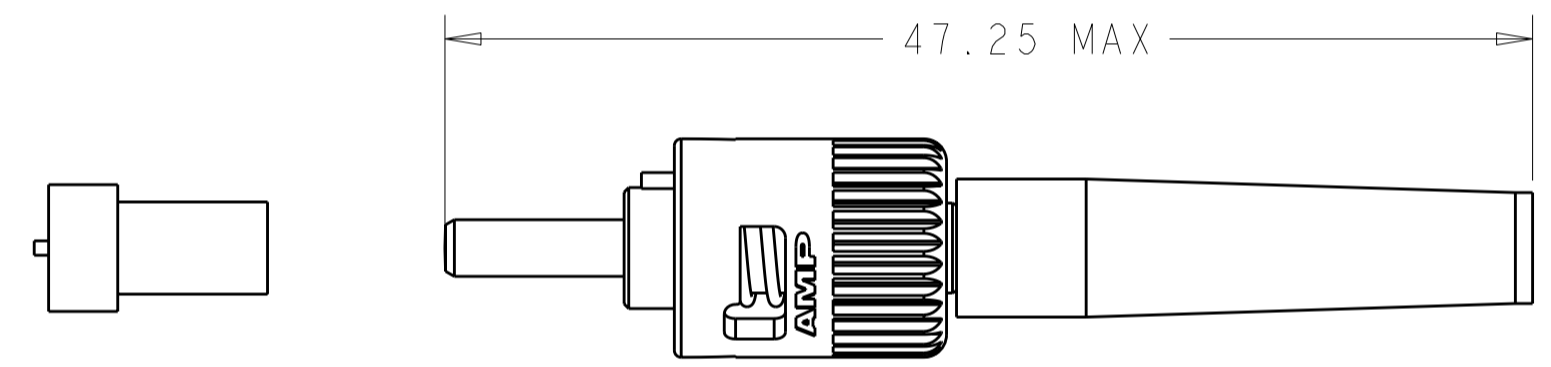


THIS DRAWING IS UNPUBLISHED. RELEASED FOR PUBLICATION 20  
 © COPYRIGHT 20 BY TYCO ELECTRONICS CORPORATION. ALL RIGHTS RESERVED.

LOC	DIST	REVISIONS			
P	LTR	DESCRIPTION	DATE	DWN	APVD
CE	00	B	REVISE PER ECR-06-003181	09FEB2006	BB SB
		C	REVISE PER ECR-06-021451	13SEPT2006	BB SB
		CI	ADD NOTE 5	160MAR09	JZ RZ



ASSEMBLED CONNECTOR (BOOT BUFFER BOOT)



ASSEMBLED CONNECTOR (SHORT BOOT)

- ① BULK PACKAGED.
- ② MATERIAL:  
 PROTECTIVE COVER: LDPE, COLOR: BLACK, NON-FR.  
 CONNECTOR ASSEMBLY:  
 FERRULE ASSEMBLY: CERAMIC/NICKEL PLATED BRASS  
 SPRING: STAINLESS STEEL  
 COUPLING NUT: ZINC  
 RETENTION RING: STAINLESS STEEL  
 CRIMP EYELET: TIN PLATED COPPER  
 SHORT BOOT: TPE, SEE DASH NUMBERS FOR COLOR\*  
 BARE BUFFER BOOT: TPE, SEE DASH NUMBERS FOR COLOR\*  
 TUBING: PVC, COLOR: BLACK, NON-FR.  
 TUBING: TYGON, COLOR: CLEAR.  
 \*UL94 V-0 RATED AT QUALIFYING THICKNESS.
- ③ NO CRIMP EYELET.
- ④ PVC TUBING INCLUDED.

5. INSTRUCTION SHEET: 408-9971 AVAILABLE FOR DOWNLOAD AT  
[www.tycoelectronics.com/documents](http://www.tycoelectronics.com/documents) OR [www.ampnetconnect.com/foguide](http://www.ampnetconnect.com/foguide).

④①	-	BLACK	125um	5492458-9
④①	-	RED	125	5492458-8
①	-	RED	125	5492458-7
③①	-	-	125	5492458-5
①	-	-	125	5492458-3
①	-	BLACK	125	5492458-2
	BLACK	BLACK	125	5492458-1
	BARE BUFFER BOOT	SHORT BOOT	SIZE	PART NUMBER

<small>THIS DRAWING IS A CONTROLLED DOCUMENT FOR TYCO ELECTRONICS CORPORATION. IT IS SUBJECT TO CHANGE AND THE CONTROLLING ENGINEERING ORGANIZATION SHOULD BE CONTACTED FOR THE LATEST REVISION.</small>		DWN B. BRIGGS 27APR2005 CHK S. BUCHTER 27APR2005 APVD S. BUCHTER 27APR2005	Tyco Electronics Tyco Electronics Corporation Shanghai, China
DIMENSIONS: mm 	TOLERANCES UNLESS OTHERWISE SPECIFIED: 0 PLC ± 1 PLC ±0.1 2 PLC ±0.02 3 PLC ±0.005 4 PLC ±0.0005 ANGLES FINISH ±	PRODUCT SPEC APPLICATION SPEC WEIGHT CUSTOMER DRAWING	NAME KIT, CONNECTOR, 2.5mm BAYONET MULTIMODE CERAMIC SIZE A2 CAGE CODE 00779 DRAWING NO. 5492458 RESTRICTED TO SCALE 7:2 SHEET 1 OF 1 REV C1

## X-ON Electronics

Largest Supplier of Electrical and Electronic Components

*Click to view similar products for [Fibre Optic Connectors](#) category:*

*Click to view products by [TE Connectivity](#) manufacturer:*

Other Similar products are found below :

[0004700001](#) [6100-R](#) [6313](#) [F709034706](#) [F709722200](#) [F709730000](#) [F718183204](#) [F727403500](#) [F727752800](#) [8119](#) [9440F20-27S-190](#) [944-120-6001](#) [9441F10SL-3S](#) [9444W28-21S](#) [9444W36-10S](#) [9446F10SL-4S](#) [9446W20-16S](#) [953-101-5310-P](#) [954-101-57202B](#) [A0270169](#) [12-9122](#) [12-5702](#) [AX101713](#) [AX102420](#) [AX103923](#) [AX104024](#) [AX104193](#) [AX104230](#) [AX104562](#) [AX105203-B25](#) [AX105205-S1](#) [EHSC2M](#) [181-011-126](#) [181-011-S](#) [181-057-126](#) [HRFC-R2\(40\)](#) [NKSOPBUY](#) [20500002116](#) [2064996-1](#) [20800001065](#) [2170](#) [9132](#) [2612](#) [2620](#) [9291](#) [9440F16-10S](#) [9440F20-18S](#) [9446F16-10S-190](#) [953-106-50231](#) [953-120-5003](#)