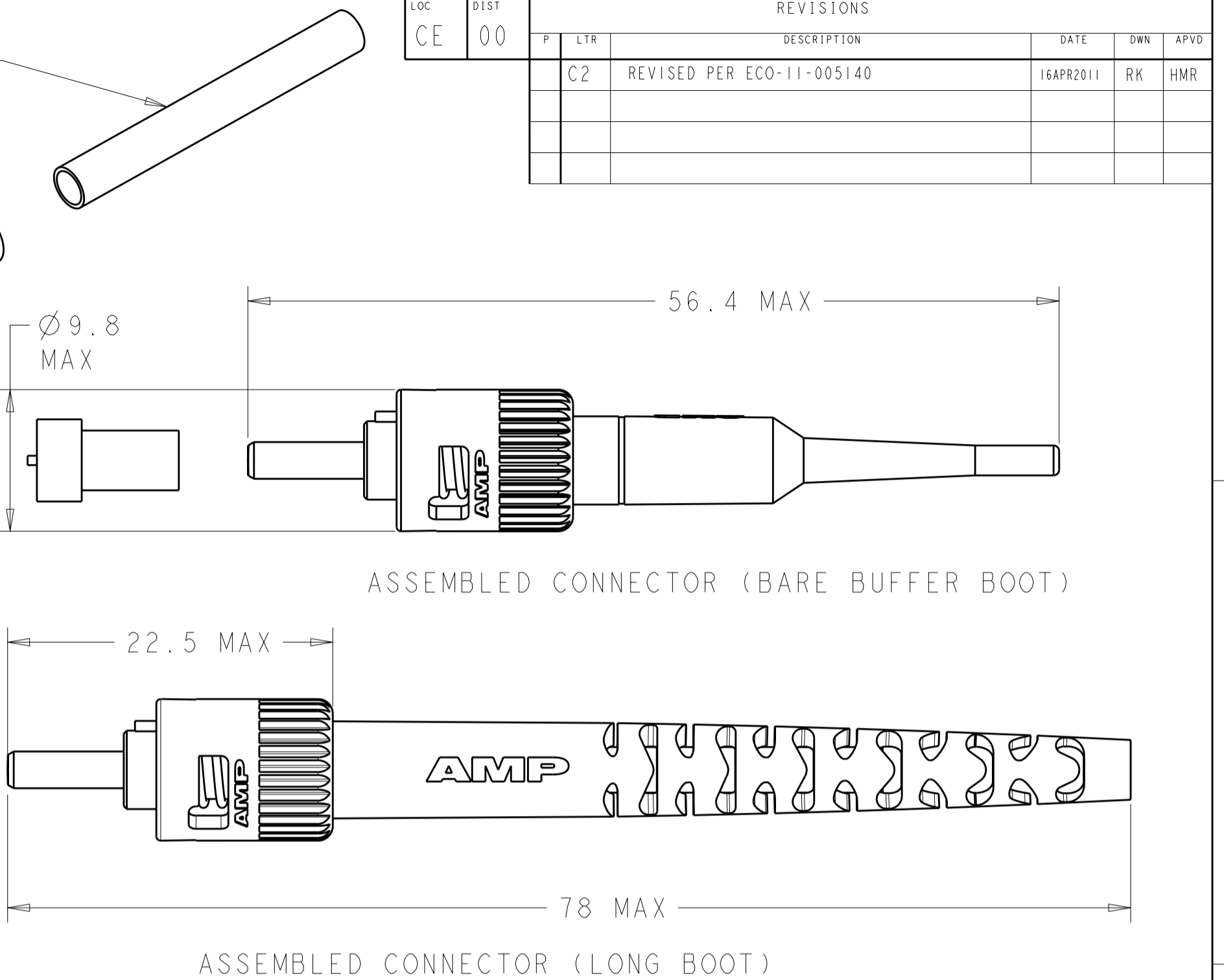
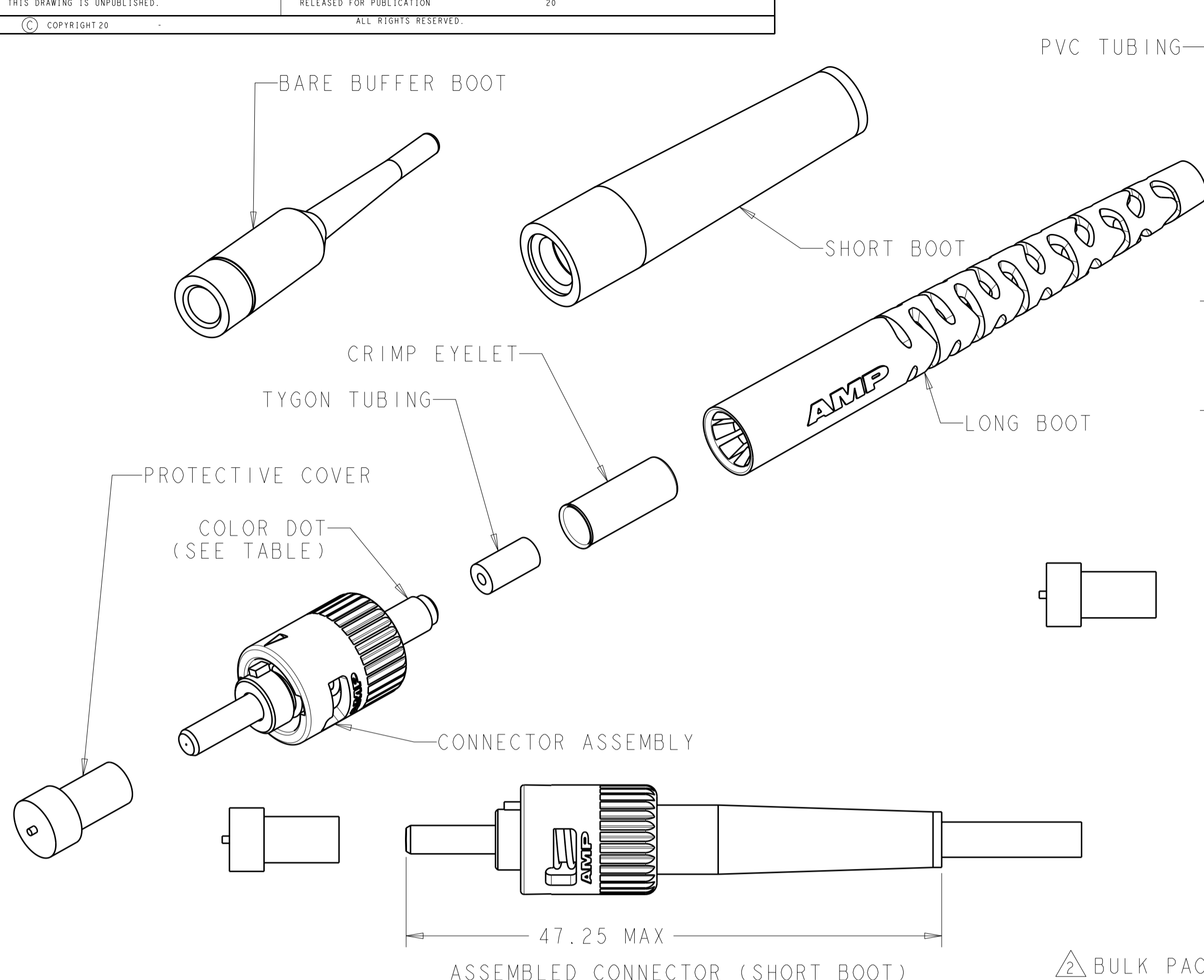


THIS DRAWING IS UNPUBLISHED. RELEASED FOR PUBLICATION 20
 © COPYRIGHT 20 ALL RIGHTS RESERVED.

REVISIONS				
P	LTR	DESCRIPTION	DATE	APVD
C2		REVISED PER ECO-11-005140	16APR2011	RK HMR



2 BULK PACKAGE.

3. INSTRUCTION SHEET: 408-9971 AVAILABLE FOR DOWNLOAD AT www.tycoelectronics.com/documents OR www.ampnetconnect.com/foguide.

1 MATERIAL:
 PROTECTIVE COVER: LDPE, COLOR: BLACK, NON-FR.
 CONNECTOR ASSEMBLY:
 FERRULE ASSEMBLY: CERAMIC/NICKEL PLATED BRASS.
 SPRING: STAINLESS STEEL.
 COUPLING NUT: ZINC.
 RETENTION RING: STAINLESS STEEL.
 CRIMP EYELET: TIN PLATED COPPER.
 LONG BOOT: TPE, UL94 HB RATED AT QUALIFYING THICKNESS, SEE DASH NUMBER FOR COLOR.
 SHORT BOOT: TPE, UL94 V-0 RATED AT QUALIFYING THICKNESS, SEE DASH NUMBER FOR COLOR.
 BUFFER BOOT: TPE, UL94 V-0 RATED AT QUALIFYING THICKNESS, SEE DASH NUMBER FOR COLOR.
 TYGON TUBING: TYGON, COLOR: CLEAR.
 PVC TUBING: PVC, COLOR: BLACK, NON-FR.

DESCRIPTION	BOOT COLOR	COLOR DOT	FIBER SIZE	PART NUMBER
SHORT BOOT	BLACK	-	125um	2-5501380-0
SHORT BOOT	BLACK	-	125um	1-5501380-6
LONG BOOT	BLACK	GREEN	140um	5501380-6
BARE BUFFER AND LONG BOOT	BLACK	-	125um	5501380-1

THIS DRAWING IS A CONTROLLED DOCUMENT.		DWN B. BRIGGS 27APR2005	STE TE Connectivity	
DIMENSIONS: mm		CHK S. BUCHTER 27APR2005		
TOLERANCES UNLESS OTHERWISE SPECIFIED:		APVD S. BUCHTER 27APR2005	NAME CONNECTOR KIT, 2.5mm BAYONET	
0 PLC ±		PRODUCT SPEC	SIZE CAGE CODE DRAWING NO RESTRICTED TO	
1 PLC ±		APPLICATION SPEC	A200779C-5501380	
2 PLC ±		WEIGHT	SCALE 3:1 SHEET 1 OF 1 REV C2	
3 PLC ±		MATERIAL		
4 PLC ±		CUSTOMER DRAWING		
ANGLES ±				
FINISH				

X-ON Electronics

Largest Supplier of Electrical and Electronic Components

Click to view similar products for [Fibre Optic Connectors](#) category:

Click to view products by [TE Connectivity](#) manufacturer:

Other Similar products are found below :

[0004700001](#) [6100-R](#) [6313](#) [F709034706](#) [F709722200](#) [F709730000](#) [F718183204](#) [F727403500](#) [F727752800](#) [8119](#) [9440F20-27S-190](#) [944-120-6001](#) [9441F10SL-3S](#) [9444W28-21S](#) [9444W36-10S](#) [9446F10SL-4S](#) [9446W20-16S](#) [953-101-5310-P](#) [954-101-57202B](#) [A0270169](#) [12-9122](#) [12-5702](#) [AX101713](#) [AX102420](#) [AX103923](#) [AX104024](#) [AX104193](#) [AX104230](#) [AX104498](#) [AX104562](#) [AX105203-B25](#) [AX105205-S1](#) [EHSC2M](#) [181-011-126](#) [181-011-S](#) [181-057-126](#) [HRFC-R2\(40\)](#) [NKSOPBUY](#) [20500002116](#) [2064996-1](#) [20800001065](#) [2170](#) [9132](#) [2612](#) [2620](#) [9291](#) [9440F16-10S](#) [9440F20-18S](#) [9442W14S-10P](#) [9446F16-10S-190](#)