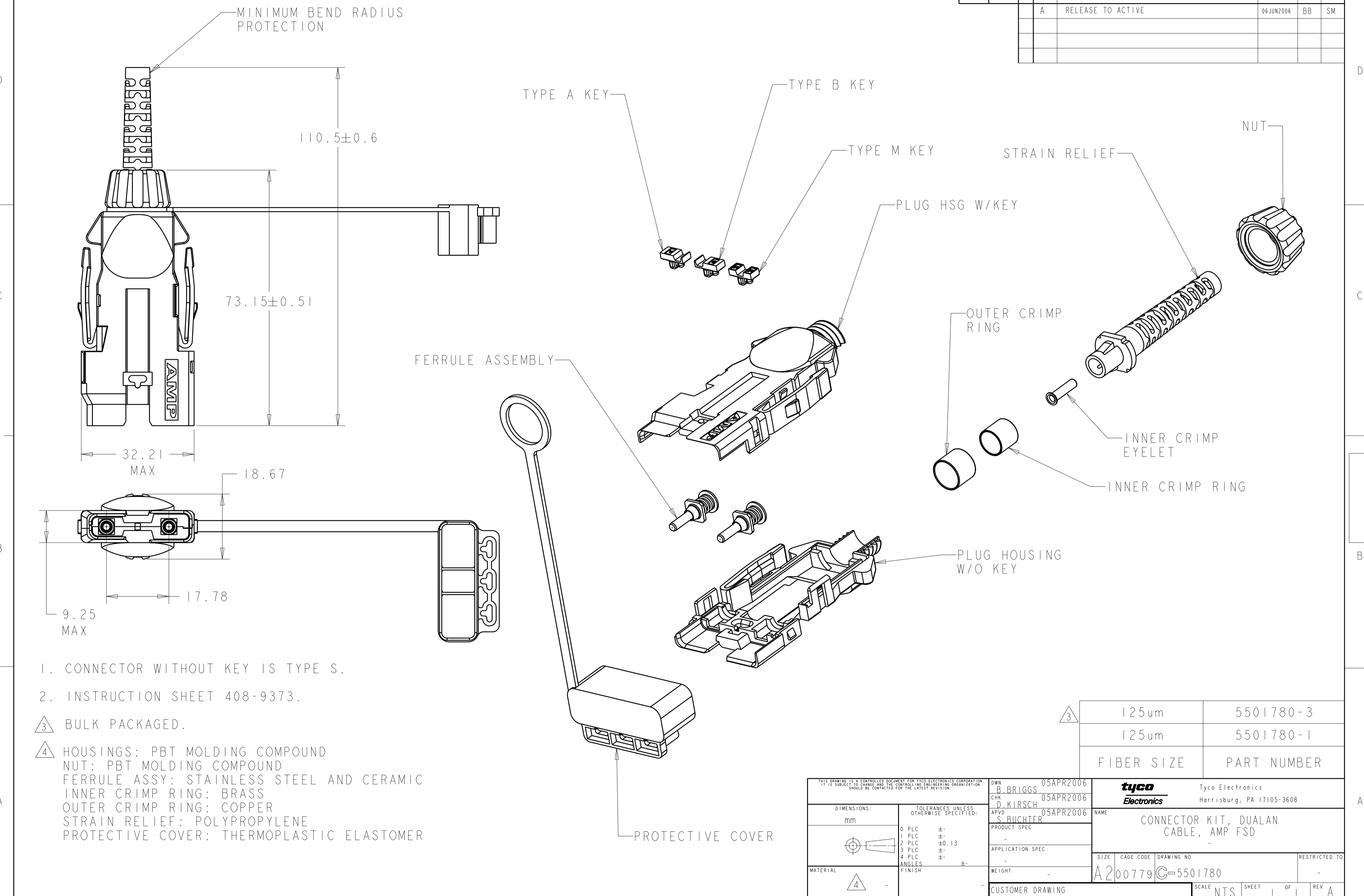


LOC	DIST	REVISIONS			
P	LTR	DESCRIPTION	DATE	DWN	APVD
CE	00	A	RELEASE TO ACTIVE	06JUN2006	BB SM



1. CONNECTOR WITHOUT KEY IS TYPE S.
 2. INSTRUCTION SHEET 408-9373.
- 3 BULK PACKAGED.

- 4 HOUSINGS: PBT MOLDING COMPOUND
 NUT: PBT MOLDING COMPOUND
 FERRULE ASSY: STAINLESS STEEL AND CERAMIC
 INNER CRIMP RING: BRASS
 OUTER CRIMP RING: COPPER
 STRAIN RELIEF: POLYPROPYLENE
 PROTECTIVE COVER: THERMOPLASTIC ELASTOMER

3	125um	5501780-3
	125um	5501780-1
	FIBER SIZE	PART NUMBER

THIS DRAWING IS A CONTROLLED DOCUMENT FOR TYCO ELECTRONICS CORPORATION. IT IS SUBJECT TO CHANGE AND THE CONTROLLING ENGINEERING ORGANIZATION SHOULD BE CONTACTED FOR THE LATEST REVISION.		DWN B. BRIGGS 05APR2006	Tyco Electronics Harrisburg, PA 17105-3608	
DIMENSIONS: mm		CHK D. KIRSCH 05APR2006	NAME CONNECTOR KIT, DUALAN CABLE, AMP FSD	
TOLERANCES UNLESS OTHERWISE SPECIFIED: 0 PLC ± 1 PLC ± 2 PLC ±0.13 3 PLC ± 4 PLC ± ANGLES ± FINISH		APVD S. BUCHTER 05APR2006	SIZE A200779	
MATERIAL 4		PRODUCT SPEC -	DRAWING NO C-5501780	
		APPLICATION SPEC -	RESTRICTED TO -	
		WEIGHT -	SCALE NTS	
		CUSTOMER DRAWING	SHEET 1 OF 1 REV A	

X-ON Electronics

Largest Supplier of Electrical and Electronic Components

Click to view similar products for [Fibre Optic Connectors](#) category:

Click to view products by [TE Connectivity](#) manufacturer:

Other Similar products are found below :

[0004700001](#) [6100-R](#) [6313](#) [F709034706](#) [F709722200](#) [F709730000](#) [F718183204](#) [F727403500](#) [F727752800](#) [8119](#) [9440F20-27S-190](#) [944-120-6001](#) [9441F10SL-3S](#) [9444W28-21S](#) [9444W36-10S](#) [9446F10SL-4S](#) [9446W20-16S](#) [953-101-5310-P](#) [954-101-57202B](#) [A0270169](#) [12-9122](#) [12-5702](#) [AX101713](#) [AX102420](#) [AX103923](#) [AX104024](#) [AX104193](#) [AX104230](#) [AX104562](#) [AX105203-B25](#) [AX105205-S1](#) [EHSC2M](#) [181-011-126](#) [181-011-S](#) [181-057-126](#) [HRFC-R2\(40\)](#) [NKSOPBUY](#) [20500002116](#) [2064996-1](#) [20800001065](#) [2170](#) [9132](#) [2612](#) [2620](#) [9291](#) [9440F16-10S](#) [9440F20-18S](#) [9442W14S-10P](#) [9446F16-10S-190](#) [953-106-50231](#)