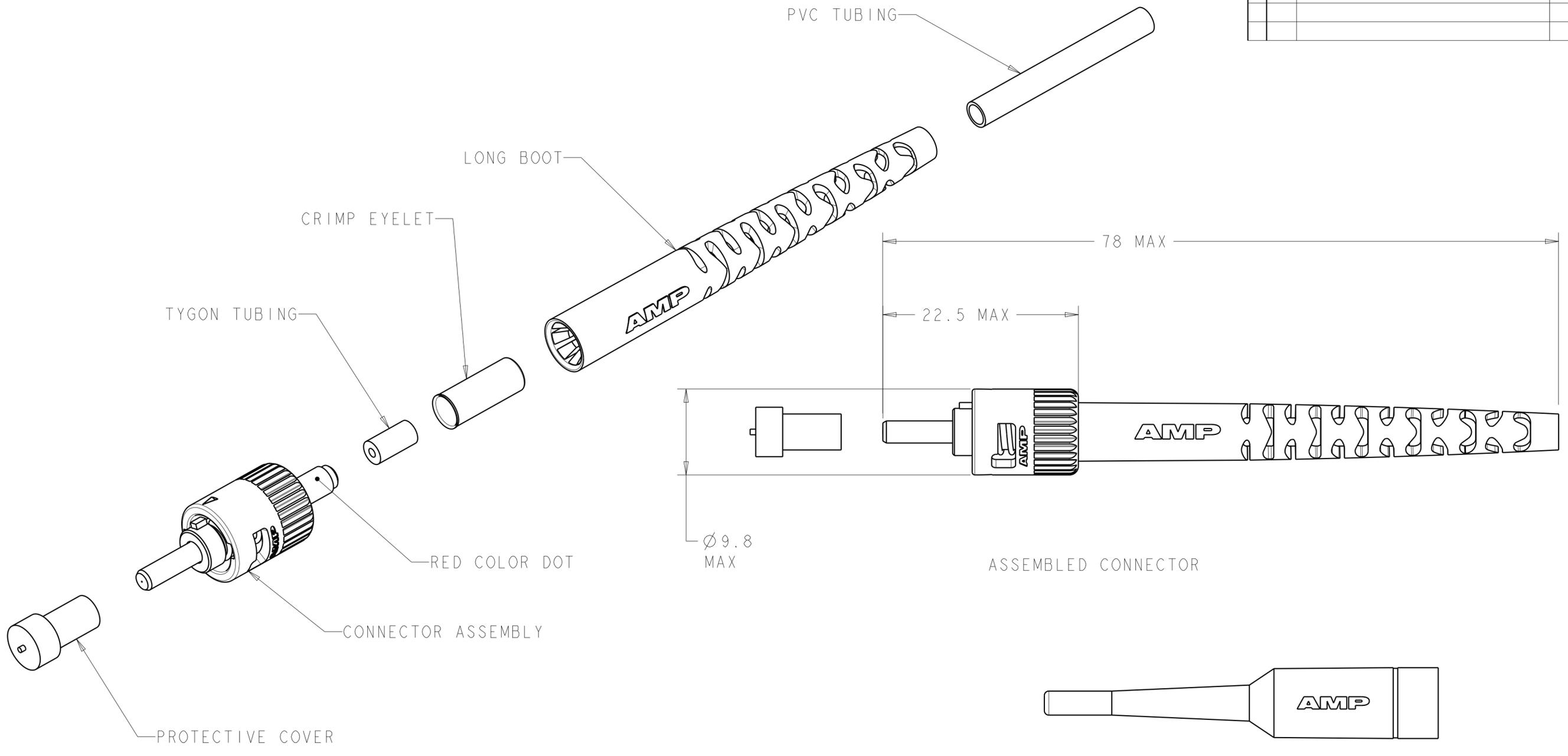


THIS DRAWING IS UNPUBLISHED. RELEASED FOR PUBLICATION 20  
 © COPYRIGHT 20 BY - ALL RIGHTS RESERVED.

LOC	DIST	REVISIONS					
CE	00	P	LTR	DESCRIPTION	DATE	DWN	APVD
		C		REV; ECO-13-008352	22MAY2013	GG	TE



- MATERIAL:**
- PROTECTIVE COVER: LDPE, COLOR: BLACK, NON-FR.
  - CONNECTOR ASSEMBLY:
    - FERRULE ASSEMBLY: CERAMIC/NICKEL PLATED BRASS.
    - SPRING: STAINLESS STEEL.
    - COUPLING NUT: ZINC.
    - RETENTION RING: STAINLESS STEEL.
  - CRIMP EYELET: TIN PLATED COPPER.
  - LONG BOOT: TPE, COLOR: YELLOW, UL94 HB RATED AT QUALIFYING THICKNESS.
  - TYGON TUBING: TYGON, COLOR: CLEAR.
  - PVC TUBING: PVC, COLOR: BLACK, NON-FR.
  - BARE BUFFER BOOT: TPE, COLOR: YELLOW, UL94 HB RATED AT QUALIFYING THICKNESS.

2. INSTRUCTION SHEET: 408-9971 AVAILABLE FOR DOWNLOAD AT  
[www.tycoelectronics.com/documents](http://www.tycoelectronics.com/documents) OR [www.amnetconnect.com/foguide](http://www.amnetconnect.com/foguide)

5502579-2  
 PART NUMBER

THIS DRAWING IS A CONTROLLED DOCUMENT.		DWN B. BRIGGS 14SEPT2005	TE Connectivity	
DIMENSIONS: mm		CHK S. BUCHTER 14SEPT2005		
TOLERANCES UNLESS OTHERWISE SPECIFIED:		APVD S. BUCHTER 14SEPT2005	NAME CONNECTOR KIT, SINGLEMODE, 2.5mm BAYONET	
0 PLC ± 1 PLC ± 2 PLC ± 3 PLC ± 4 PLC ± ANGLES ± FINISH		PRODUCT SPEC -	SIZE A200779	
MATERIAL		APPLICATION SPEC -	DRAWING NO C-5502579	
-		WEIGHT -	RESTRICTED TO -	
		Customer Drawing	SCALE 3:1	SHEET 1 OF 1
				REV C

## X-ON Electronics

Largest Supplier of Electrical and Electronic Components

*Click to view similar products for [Fibre Optic Connectors](#) category:*

*Click to view products by [TE Connectivity](#) manufacturer:*

Other Similar products are found below :

[0004700001](#) [6100-R](#) [6313](#) [F709034706](#) [F709722200](#) [F709730000](#) [F718183204](#) [F727403500](#) [F727752800](#) [8119](#) [9440F20-27S-190](#) [944-120-6001](#) [9441F10SL-3S](#) [9444W28-21S](#) [9444W36-10S](#) [9446F10SL-4S](#) [9446W20-16S](#) [953-101-5310-P](#) [954-101-57202B](#) [A0270169](#) [12-9122](#) [12-5702](#) [AX101713](#) [AX102420](#) [AX103923](#) [AX104024](#) [AX104193](#) [AX104230](#) [AX104498](#) [AX104562](#) [AX105203-B25](#) [AX105205-S1](#) [EHSC2M](#) [181-011-126](#) [181-011-S](#) [181-057-126](#) [HRFC-R2\(40\)](#) [NKSOPBUY](#) [20500002116](#) [2064996-1](#) [20800001065](#) [2170](#) [9132](#) [2612](#) [2620](#) [9291](#) [9440F16-10S](#) [9440F20-18S](#) [9442W14S-10P](#) [9446F16-10S-190](#)