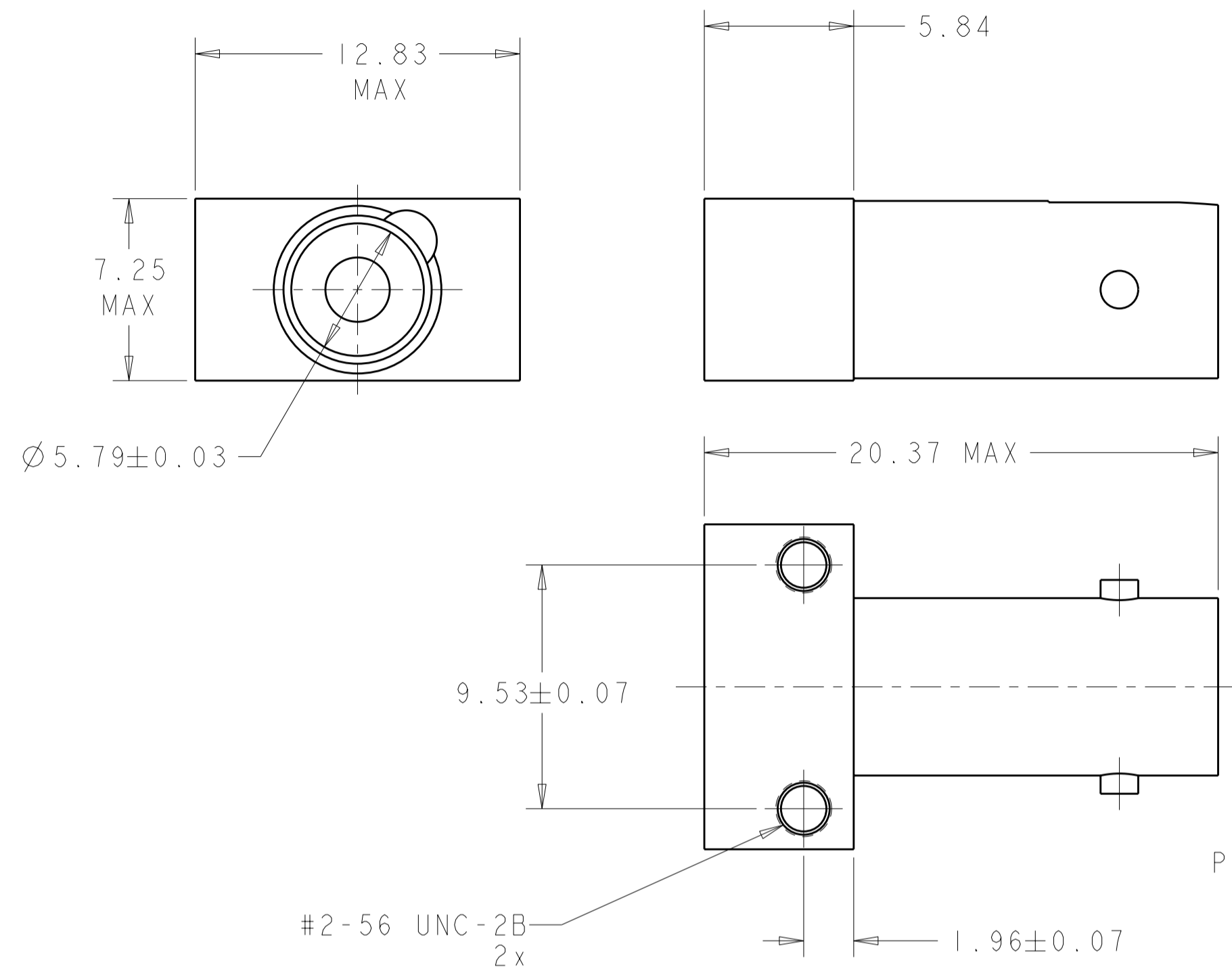


THIS DRAWING IS UNPUBLISHED. RELEASED FOR PUBLICATION 20
 © COPYRIGHT 20 BY TYCO ELECTRONICS CORPORATION. ALL RIGHTS RESERVED.

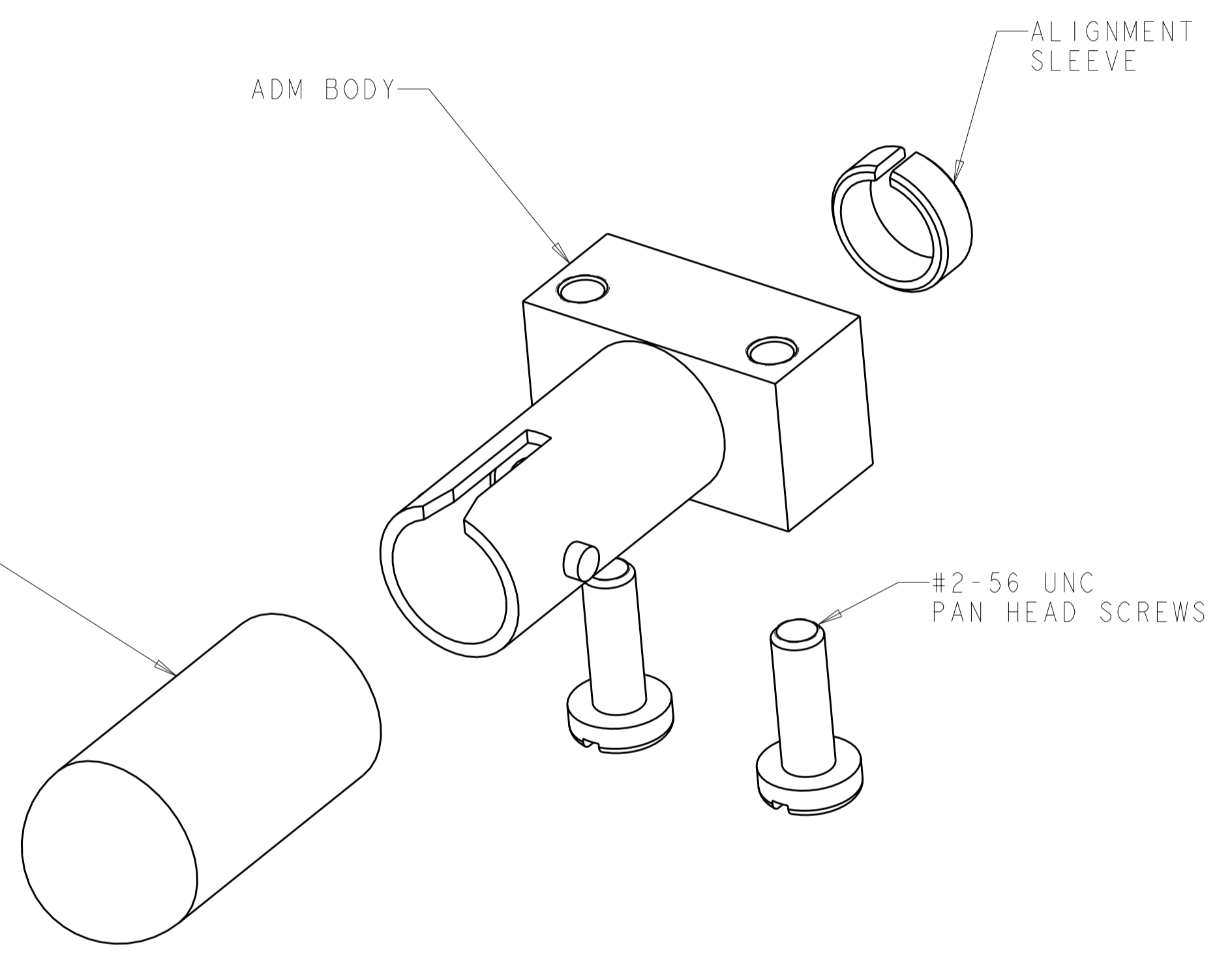
| LOC | DIST | REVISIONS | | | |
|-----|------|-------------|-------------------|-----------|-------|
| P | LTR | DESCRIPTION | DATE | DWN | APVD |
| CE | 00 | A | RELEASE TO ACTIVE | 09JUN2006 | BB SB |



ACTIVE DEVICE MOUNT BODY

1. ACCEPTS ACTIVE DEVICES: TO-52, TO-18, TO-46 OR LOW COST HONEYWELL SWEETSPOT.

△ MATERIAL:
 PROTECTIVE CAP: PVC, COLOR: RED, NON-FR.
 ADM BODY: NICKEL PLATED ZINC
 ALIGNMENT SLEEVE: PBT, COLOR: BLACK, UL94 V-0 RATED AT QUALIFYING THICKNESS



5502585-2
 PART NUMBER

| | | | | | |
|---|--|---------------------------------|---|------------------------|---|
| THIS DRAWING IS A CONTROLLED DOCUMENT FOR TYCO ELECTRONICS CORPORATION. IT IS SUBJECT TO CHANGE AND THE CONTROLLING ENGINEERING ORGANIZATION SHOULD BE CONTACTED FOR THE LATEST REVISION. | | DWN B. BRIGGS 14OCT2005 | tyco Electronics | | Tyco Electronics Harrisburg, PA 17105-3608 |
| DIMENSIONS: mm | | CHK S. BUCHTER 14OCT2005 | NAME ACTIVE DEVICE MOUNT KIT, 2.5mm BAYONET | | |
| TOLERANCES UNLESS OTHERWISE SPECIFIED: 0 PLC ± 1 PLC ± 2 PLC ±0.13 3 PLC ± 4 PLC ± ANGLES ± FINISH | | APVD S. BUCHTER 14OCT2005 | RESTRICTED TO | | |
| MATERIAL △ - | | PRODUCT SPEC - | SIZE A200779 | CAGE CODE C-5502585 | DRAWING NO 5502585-2 |
| | | APPLICATION SPEC - | SCALE 5:1 SHEET 1 OF 1 REV A | | |
| | | WEIGHT - | CUSTOMER DRAWING | | |

X-ON Electronics

Largest Supplier of Electrical and Electronic Components

Click to view similar products for [Fiber Optic Connectors](#) category:

Click to view products by [TE Connectivity](#) manufacturer:

Other Similar products are found below :

[0004700001](#) [6100-R](#) [6313](#) [F709034706](#) [F709722200](#) [F718183204](#) [F727403500](#) [F727752800](#) [FCXO-12-3BY](#) [FO-SCREW\(M2X6\)](#) [9440F20-27S-190](#) [944-120-6001](#) [944-125-6003](#) [9441F10SL-3P](#) [9441F10SL-3S](#) [9446F10SL-4S](#) [9446F12S-3S](#) [953-101-5310-P](#) [954-101-57202B](#)
[A0270169](#) [12-9122](#) [12-5702](#) [143025NC](#) [AX101713](#) [AX102420](#) [AX103923](#) [AX104141](#) [AX104193](#) [AX104228](#) [AX104230](#) [AX104562](#)
[AX105203-B25](#) [AX105205-S1](#) [EHSC2M](#) [17-300800](#) [181-011-126](#) [BT34IW](#) [HRFCP-HSCJ-1\(61\)](#) [HRFC-R2\(40\)](#) [NKSOPBUY](#) [20500002116](#)
[2064996-1](#) [20800001065](#) [2170](#) [9132](#) [2612](#) [2620](#) [9291](#) [9440F18-19S](#) [9440F20-14P](#)