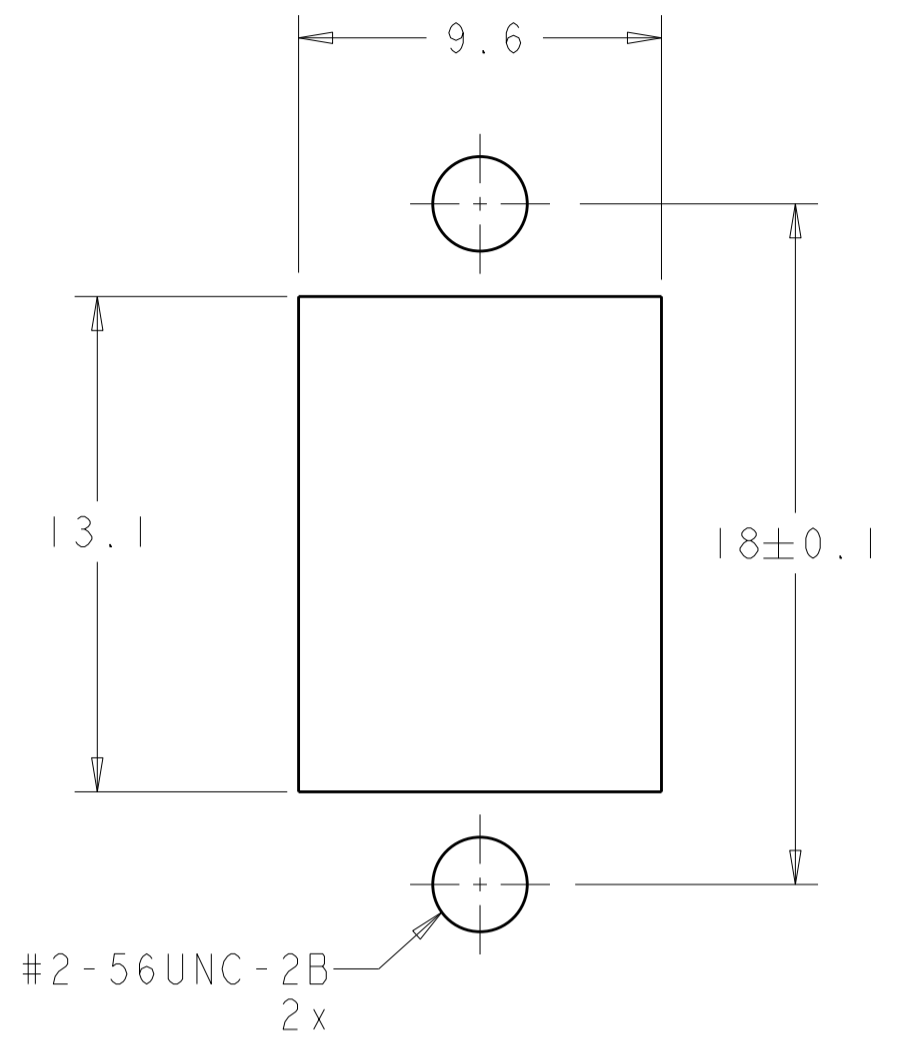
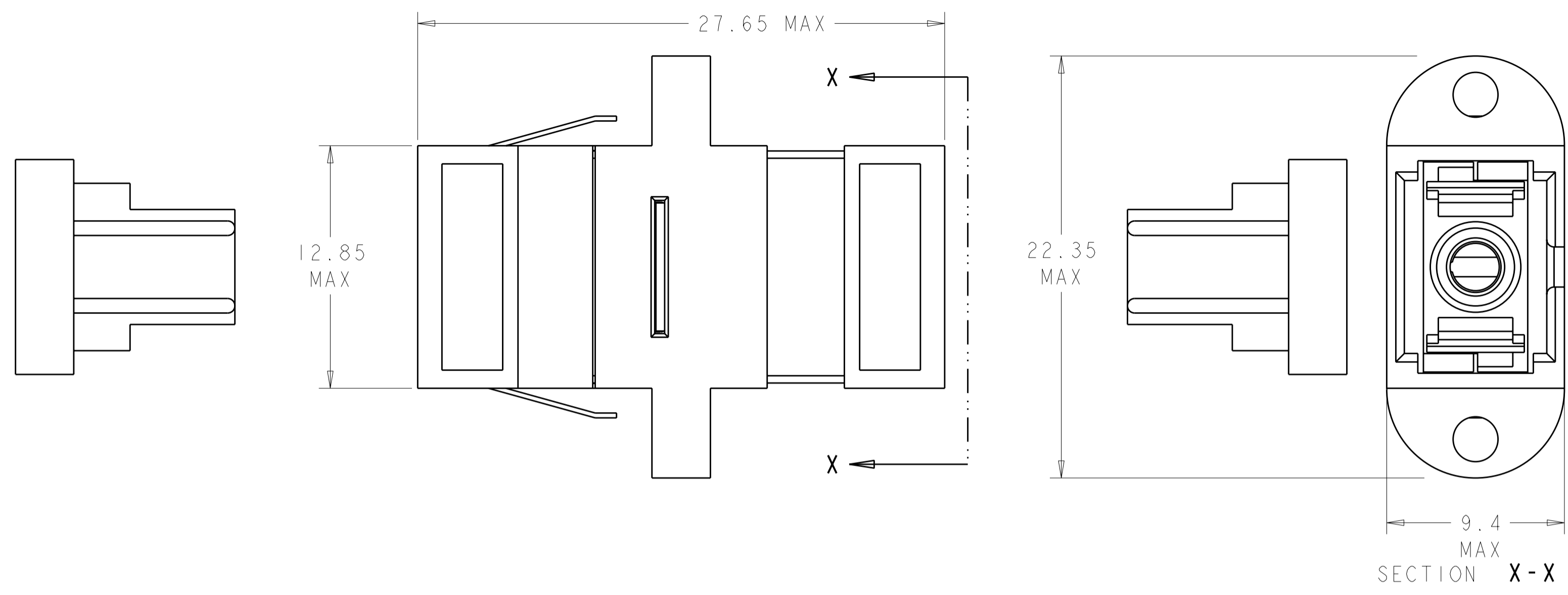


THIS DRAWING IS UNPUBLISHED. RELEASED FOR PUBLICATION
 © COPYRIGHT 2011 ALL RIGHTS RESERVED.

REVISIONS					
P	LTR	DESCRIPTION	DATE	DWN	APVD
F2		REVISED PER ECO-11-005140	16APR2011	RK	HMR

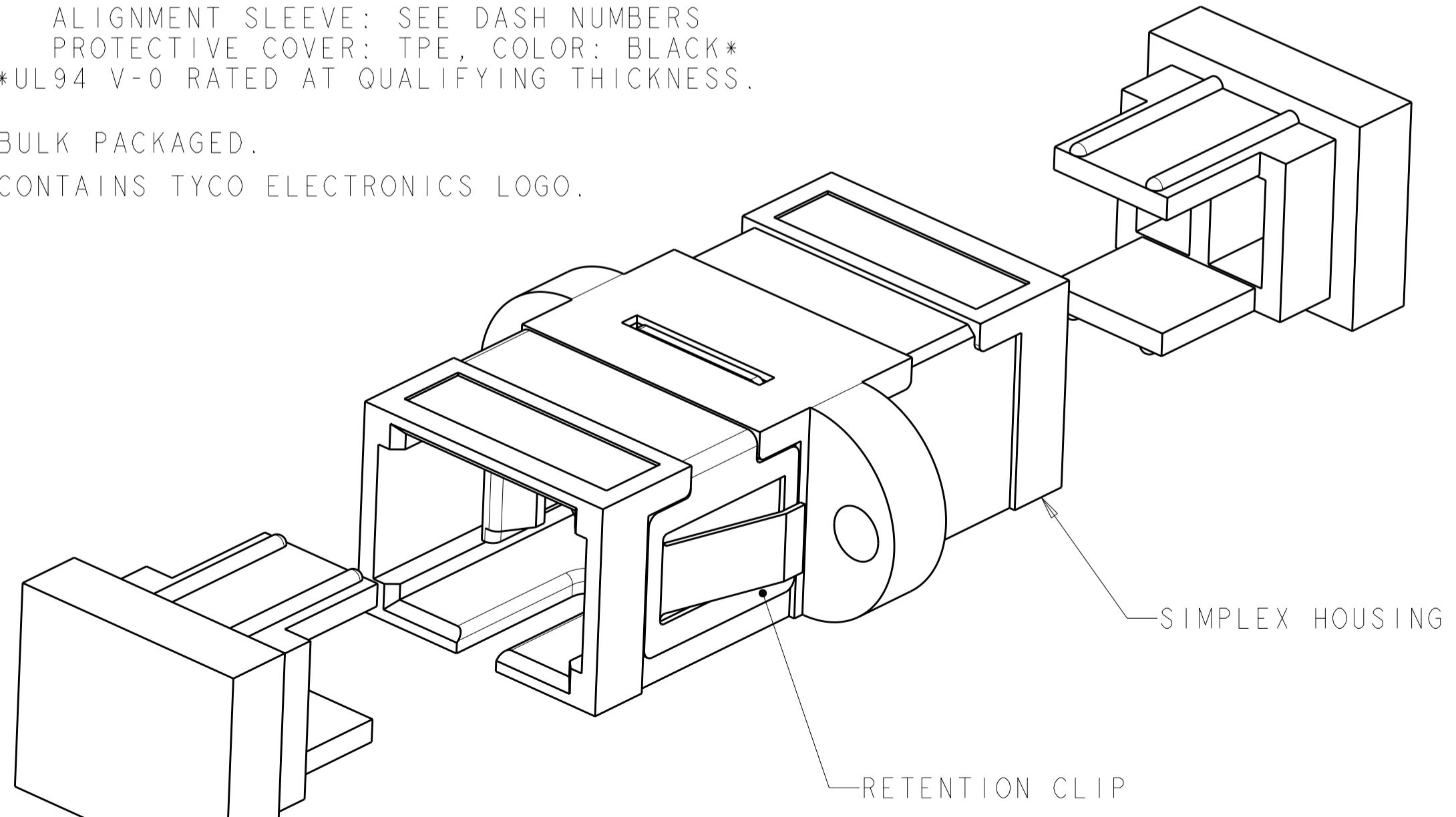


SUGGESTED PANEL CUTOUT
 MAX. PANEL THICKNESS 1.7

⚠ MATERIAL:
 HOUSING: PBT-GF30, SEE DASH NUMBERS FOR COLOR*
 RETAINER: PEI-GF30, COLOR: BLACK*
 RETENTION CLIP: STAINLESS STEEL
 ALIGNMENT SLEEVE: SEE DASH NUMBERS
 PROTECTIVE COVER: TPE, COLOR: BLACK*
 *UL94 V-0 RATED AT QUALIFYING THICKNESS.

② BULK PACKAGED.
 ③ CONTAINS TYCO ELECTRONICS LOGO.

②	CERAMIC	GREEN	2-5502632-6
③	CERAMIC	BLUE	2-5502632-5
	CERAMIC	AQUA	2-5502632-4
	METAL	AQUA	2-5022632-3
	CERAMIC	GREEN	2-5502632-2
	METAL	GREEN	2-5502632-1
②	CERAMIC	BLUE	1-5502632-8
	CERAMIC	BEIGE	1-5502632-2
	CERAMIC	BLUE	1-5502632-1
	CERAMIC	BLACK	1-5502632-0
	METAL	BEIGE	5502632-9
	METAL	BLUE	5502632-8
	METAL	BLACK	5502632-7
	ALIGNMENT SLEEVE	COLOR	PART NUMBER



THIS DRAWING IS A CONTROLLED DOCUMENT.		DWN B. BRIGGS 3MAY2005	TE Connectivity	
DIMENSIONS: mm		CHK S. MILLER 3MAY2005		
TOLERANCES UNLESS OTHERWISE SPECIFIED:		APVD S. BUCHTER 3MAY2005	NAME RECEPTACLE ASSEMBLY, SC TO SC	
0 PLC ± 1 PLC ±0.1 2 PLC ±0.05 3 PLC ± 4 PLC ± ANGLES ± FINISH ±		PRODUCT SPEC -	SIZE A2	CAGE CODE -
MATERIAL ⚠		APPLICATION SPEC -	DRAWING NO 5502632	RESTRICTED TO -
CUSTOMER DRAWING		WEIGHT -	SCALE 5:1	SHEET 1 OF 1 REV F2

X-ON Electronics

Largest Supplier of Electrical and Electronic Components

Click to view similar products for [TE Connectivity](#) manufacturer:

Other Similar products are found below :

[D38999/24FJ4AN](#) [570416-000](#) [CLTEQ-M81CE-SSRELAY-4-20V](#) [4-1195131-0](#) [650069-000](#) [SMD100-2](#) [358838-000](#) [CB-1022B-78](#)
[RM707012](#) [RP410012](#) [MMS42](#) [1-640426-8](#) [2EDL4CM](#) [DTS20W19-11PD-3028-LC](#) [RM202615](#) [NC6-P104-06](#) [MSPS103B](#) [DTS26F21-41HE-LC](#) [DTS26F21-41AE](#) [DTS26F21-41PE-LC](#) [DTS26F21-11SE-3028-LC](#) [30DCB6](#) [1932144-1](#) [293545-4](#) [LVR125S](#) [MS27466T25F4PB](#)
[CKB-38-78010](#) [TR04AI-TINELLOCKRING](#) [1206SFF150F/63-2](#) [D38999/20JB35HA](#) [TE1500A2R2J](#) [D38999/20WC8BB](#) [DTS24F19-11SC-3028-LC](#) [D38999/24WG11HA](#) [D38999/24WG11HN](#) [MS27467T21F11H](#) [DJT16E21-11HA](#) [MS27467T21F35J](#) [MS27467T21F11J](#)
[MS27467T21F16H-LC](#) [MS27467T21F35H](#) [MS27467T21F41H-LC](#) [1206SFH150F/24-2](#) [RP330024](#) [DJT16E21-11PA-LC](#) [DJT16E21-11HA-LC](#) [DJT16E21-11AA](#) [MS27467T21B11JA](#) [DJT16E21-11JA](#) [MS27467T21B11JA-LC](#)