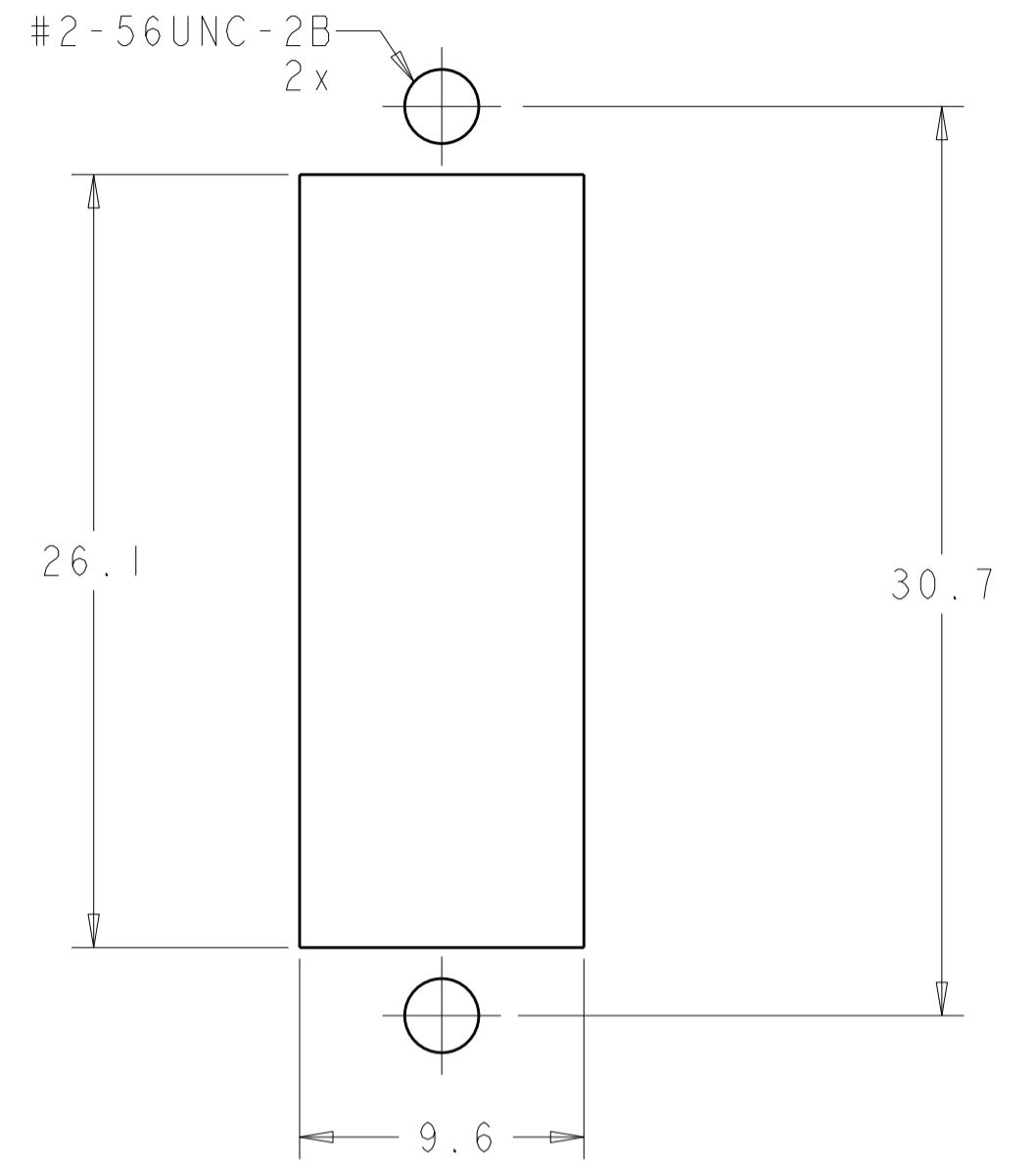
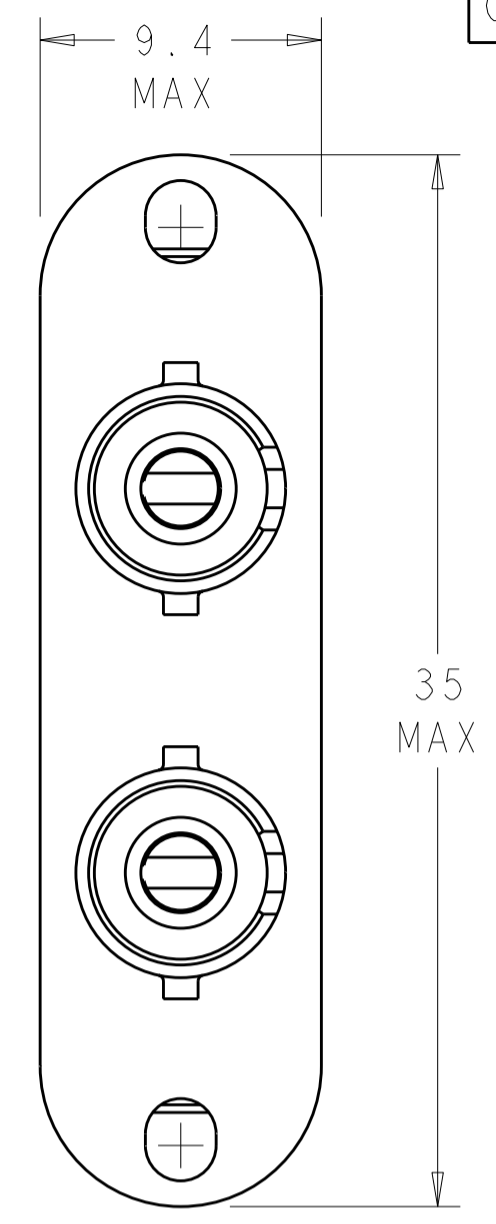
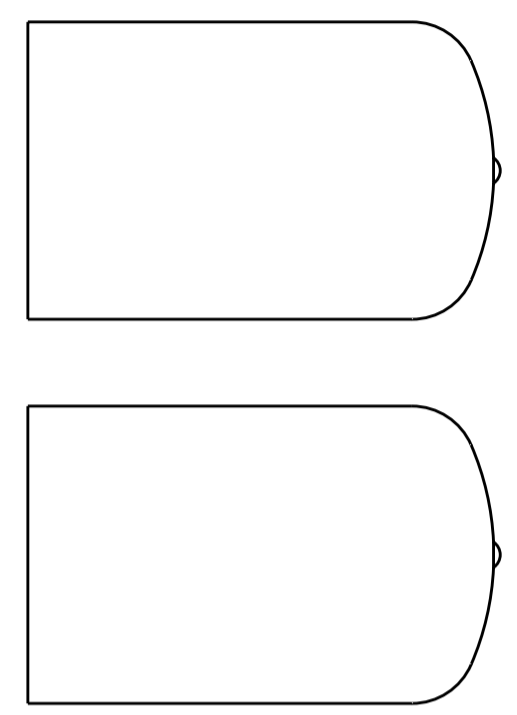
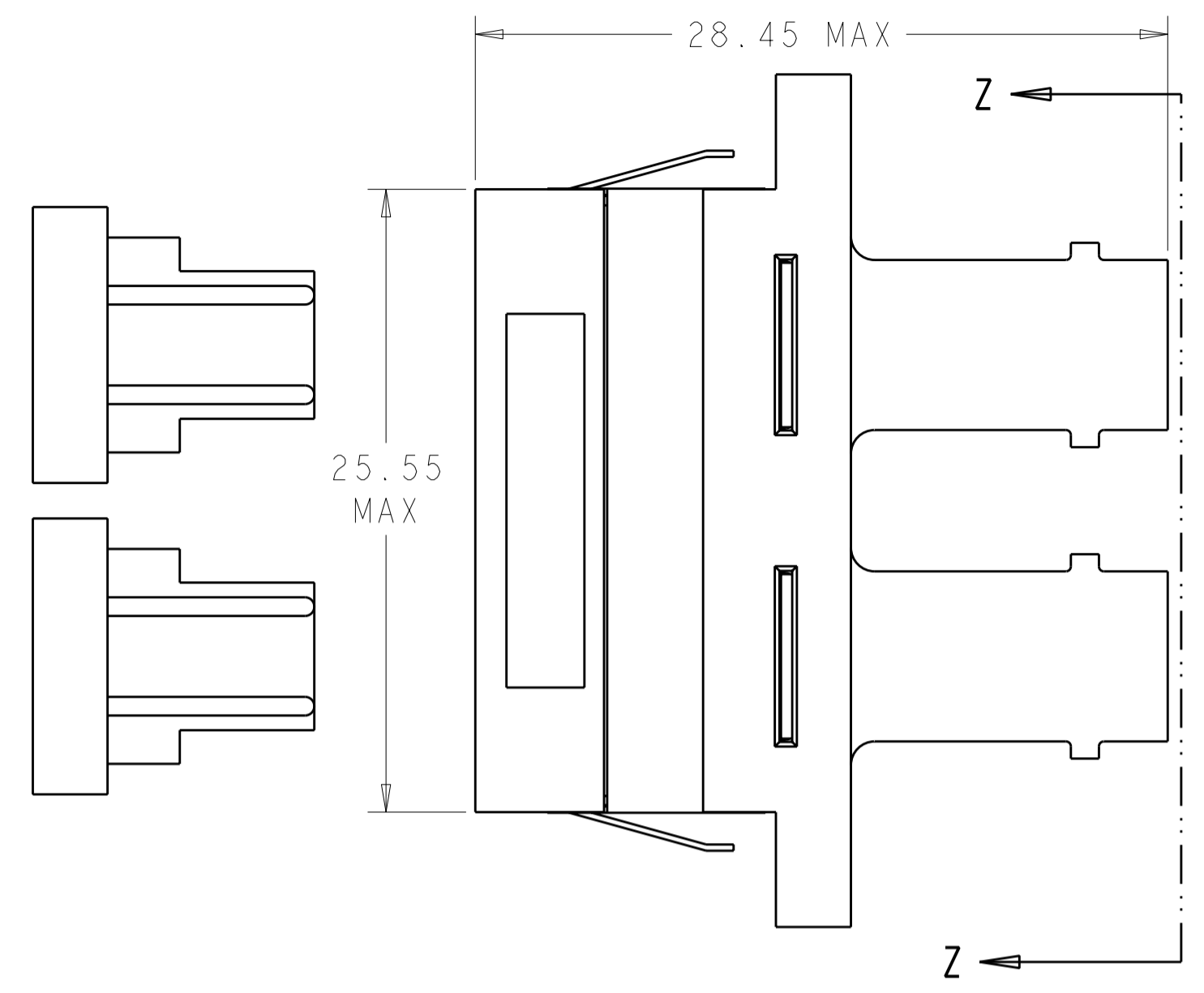
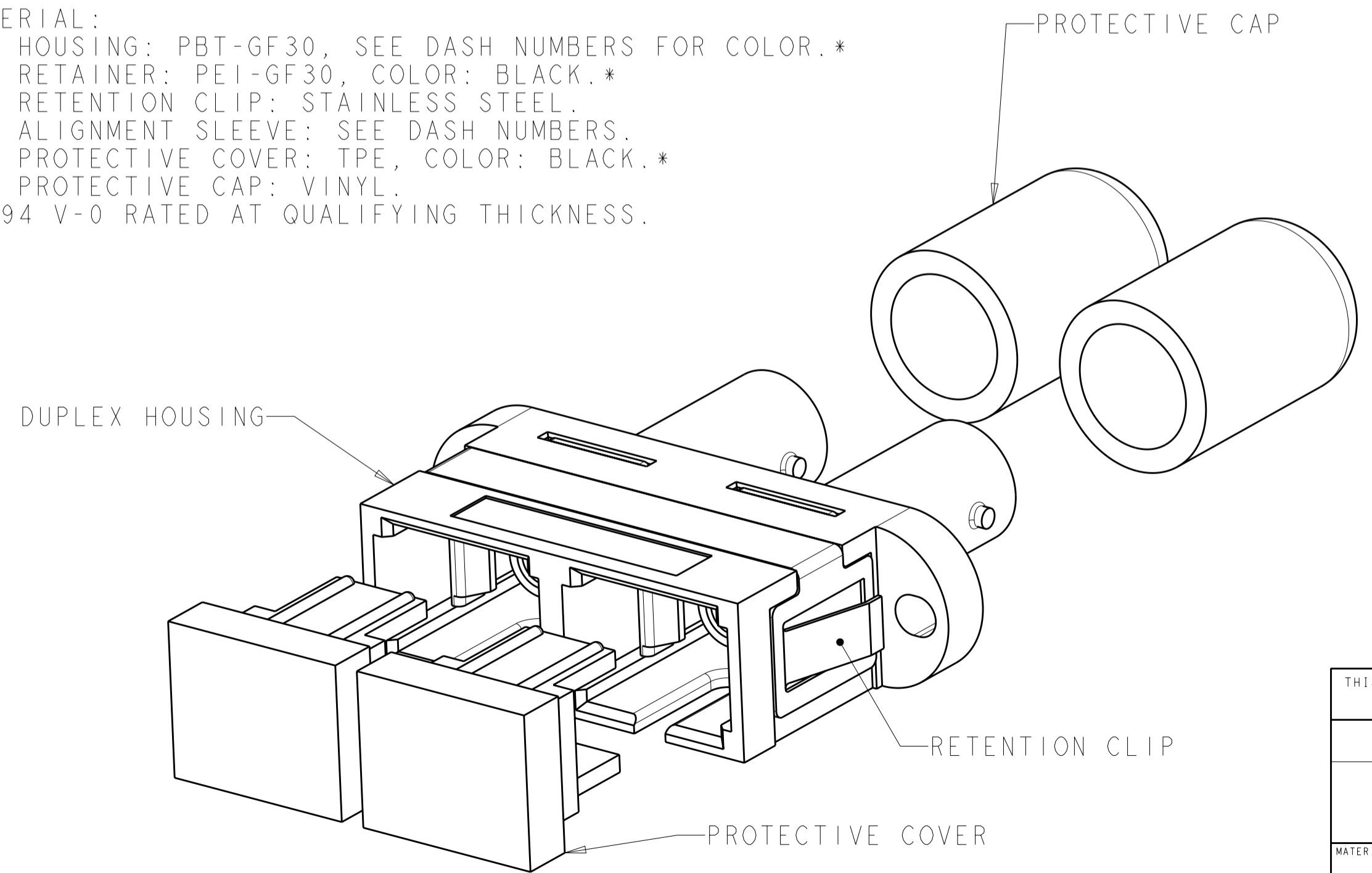


THIS DRAWING IS UNPUBLISHED. RELEASED FOR PUBLICATION 20  
 © COPYRIGHT 20 BY - ALL RIGHTS RESERVED.

LOC		DIST		REVISIONS			
P	LTR	DESCRIPTION	DATE	DWN	APVD		
CE	00						
	DI	REVISED PER ECO-11-005027	16MAR2011	RK	HMR		



**MATERIAL:**  
 HOUSING: PBT-GF30, SEE DASH NUMBERS FOR COLOR.\*  
 RETAINER: PEI-GF30, COLOR: BLACK.\*  
 RETENTION CLIP: STAINLESS STEEL.  
 ALIGNMENT SLEEVE: SEE DASH NUMBERS.  
 PROTECTIVE COVER: TPE, COLOR: BLACK.\*  
 PROTECTIVE CAP: VINYL.  
 \*UL94 V-0 RATED AT QUALIFYING THICKNESS.



RETENTION CLIP	METAL	AQUA	2-5503137-1
RETENTION CLIP	CERAMIC	AQUA	1-5503137-9
NONE	METAL	BLACK	1-5503137-7
NONE	CERAMIC	LT ALMOND	1-5503137-5
RETENTION CLIP	CERAMIC	BEIGE	5503137-6
RETENTION CLIP	CERAMIC	BLUE	5503137-5
RETENTION CLIP	CERAMIC	BLACK	5503137-4
RETENTION CLIP	METAL	BEIGE	5503137-3
RETENTION CLIP	METAL	BLUE	5503137-2
RETENTION CLIP	METAL	BLACK	5503137-1
HARDWARE	ALIGNMENT SLEEVE	COLOR	PART NUMBER

THIS DRAWING IS A CONTROLLED DOCUMENT.

DIMENSIONS: mm	TOLERANCES UNLESS OTHERWISE SPECIFIED:	DWN B. BRIGGS 13MAY2005	 TE Connectivity
	0 PLC ±	CHK S. MILLER 13MAY2005	
	1 PLC ±0.1	APVD S. BUCHTER 13MAY2005	
	2 PLC ±0.05	PRODUCT SPEC	
MATERIAL	ANGLES ±	FINISH ±	NAME RECEPTACLE ASSEMBLY, DUPLEX, AMP SC TO BAYONET SIZE CAGE CODE DRAWING NO RESTRICTED TO A200779 C-5503137 CUSTOMER DRAWING SCALE 4:1 SHEET 1 OF 1 REV DI

## X-ON Electronics

Largest Supplier of Electrical and Electronic Components

*Click to view similar products for [Fiber Optic Connectors](#) category:*

*Click to view products by [TE Connectivity](#) manufacturer:*

Other Similar products are found below :

[0004700001](#) [6100-R](#) [6313](#) [F709034706](#) [F709722200](#) [F718183204](#) [F727403500](#) [F727752800](#) [FCXO-12-3BY](#) [FO-SCREW\(M2X6\)](#) [9440F20-27S-190](#) [944-120-6001](#) [944-125-6003](#) [9441F10SL-3S](#) [9446F10SL-4S](#) [953-101-5310-P](#) [954-101-57202B](#) [A0270169](#) [12-9122](#) [12-5702](#) [143025NC](#) [AX101713](#) [AX102420](#) [AX103923](#) [AX104141](#) [AX104193](#) [AX104228](#) [AX104230](#) [AX104562](#) [AX105203-B25](#) [AX105205-S1](#) [EHSC2M](#) [17-300800](#) [181-011-126](#) [BT34IW](#) [HRFCP-HSCJ-1\(61\)](#) [HRFC-R2\(40\)](#) [NKSOPBUY](#) [20500002116](#) [2064996-1](#) [20800001065](#) [2170](#) [9132](#) [2612](#) [2620](#) [9291](#) [9440F18-19S](#) [9440F20-14P](#) [9440F20-14PW](#) [9440W18-1S](#)